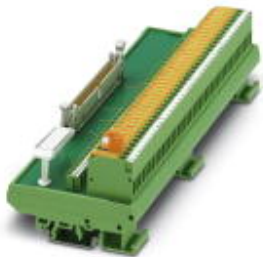


Passive module - FLKM 50/KDS3-MT/PLC - 2289531

Please be informed that the data shown in this PDF Document is generated from our Online Catalog. Please find the complete data in the user's documentation. Our General Terms of Use for Downloads are valid (<http://phoenixcontact.com/download>)




VARIOFACE interface module, for 32 channels, with knife disconnect terminal blocks and test sockets to the peripherals

Illustration shows FLKM 50/KDS3-MT/PPA/PLC - 2290614



Key Commercial Data

Packing unit	1 pc
GTIN	 4 017918 057619
Weight per Piece (excluding packing)	490.5 g
Custom tariff number	85369010
Country of origin	Germany

Technical data

Dimensions

Width	214 mm
Height	90 mm
Depth	61 mm

Ambient conditions

Ambient temperature (operation)	-20 °C ... 50 °C
Ambient temperature (storage/transport)	-20 °C ... 70 °C

General

Max. perm. operating voltage	60 V DC
Max. perm. current (per branch)	1 A
Max. permissible current (separate power supply)	2 A

Passive module - FLKM 50/KDS3-MT/PLC - 2289531

Technical data

General

Number of positions	50
Status display	No
Mounting position	any
Standards/regulations	IEC 60664
	IEC 60664A
	DIN VDE 0110
	DIN VDE 0160 (in parts)
Degree of pollution	2
Overvoltage category	II

Connection data for connection 1

Connection name	Field level
Connection method	Screw connection with disconnect knife
Stripping length	8 mm
Screw thread	M3
Conductor cross section solid	0.2 mm ² ... 4 mm ²
Conductor cross section flexible	0.2 mm ² ... 2.5 mm ²
Conductor cross section AWG	24 ... 12

Standards and Regulations

Standards/regulations	IEC 60664
	IEC 60664A
	DIN VDE 0110
	DIN VDE 0160 (in parts)
Degree of pollution	2
Overvoltage category	II

Classifications

eCl@ss

eCl@ss 4.0	27250313
eCl@ss 4.1	27250313
eCl@ss 5.0	27250313
eCl@ss 5.1	27250313
eCl@ss 6.0	27371601
eCl@ss 7.0	27371601
eCl@ss 8.0	27141152
eCl@ss 9.0	27141152

Passive module - FLKM 50/KDS3-MT/PLC - 2289531

Classifications

ETIM

ETIM 2.0	EC001437
ETIM 3.0	EC001437
ETIM 4.0	EC001437
ETIM 5.0	EC002780

UNSPSC

UNSPSC 6.01	30211824
UNSPSC 7.0901	39121421
UNSPSC 11	39121421
UNSPSC 12.01	39121421
UNSPSC 13.2	39121421

Approvals

Approvals

Approvals

EAC

Ex Approvals

Approvals submitted

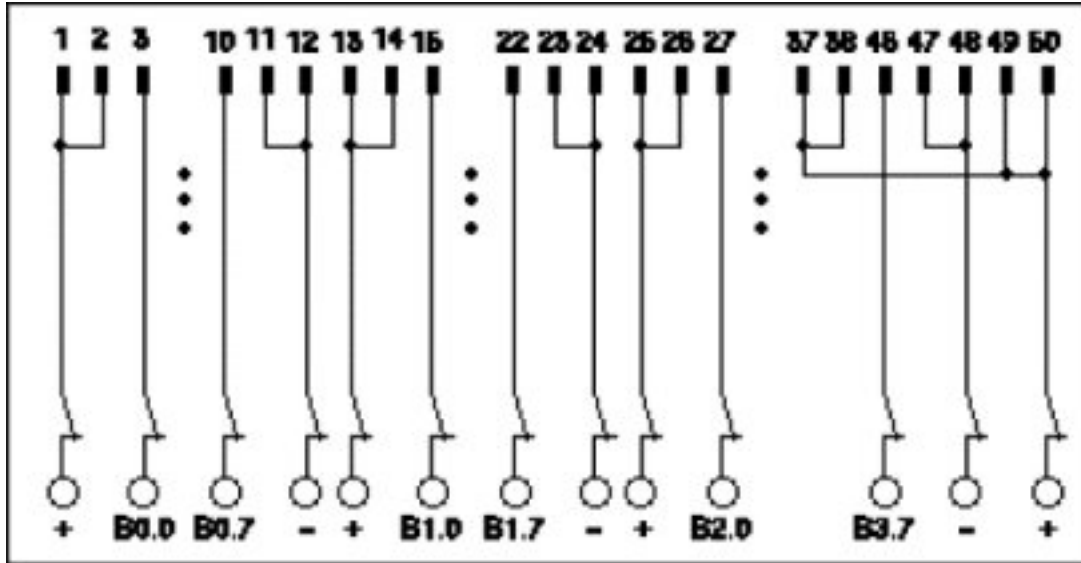
Approval details

EAC

Drawings

Passive module - FLKM 50/KDS3-MT/PLC - 2289531

Circuit diagram



Mouser Electronics

Authorized Distributor

Click to View Pricing, Inventory, Delivery & Lifecycle Information:

[Phoenix Contact:](#)

[2289531](#)