

PSR-SCP- 24DC/ESD/5X1/1X2/T2

Order No.: 2981125



<http://eshop.phoenixcontact.de/phoenix/treeViewClick.do?UID=2981125>

1 or 2-channel safety relay for emergency off and safety door circuits with manual or automatic activation, 3 N/O contacts, 1 N/C contact, 2 N/O contacts with fixed 2 sec. drop out delay, Cat. 4 / EN 954-1, pluggable screw terminal blocks, width: 45 mm

Commercial data	
EAN	4017918956660
Pack	1 Pcs.
Customs tariff	85364900
Weight/Piece	0.4639 KG
Catalog page information	Page 25 (IF-2007)

Product notes

WEEE/RoHS-compliant since:
12/17/2007



<http://www.download.phoenixcontact.com>
Please note that the data given here has been taken from the online catalog. For comprehensive information and data, please refer to the user documentation. The General Terms and Conditions of Use apply to Internet downloads.

Technical data	
Input data	
Nominal input voltage U_N	24 V DC
Input voltage range in reference to U_N	0.85 ... 1.1
Typical input current at U_N	150 mA DC

Voltage at input/start and feedback circuit	Approx. 24 V DC
Typical response time	70 ms (manual start) 600 ms (automatic start)
Typical release time	20 ms (undelayed contacts)
Concurrence input 1/2	Infinite
Recovery time	Approx. 1 s
Max. permissible overall conductor resistance	11 Ω (Input and start circuits at U _N)
Delay time	2 s ±20 %

Output data

Contact type	3 enabling current paths undelayed, 2 delayed, 1 signaling current path undelayed
Contact material	AgSnO ₂
Maximum switching voltage	250 V AC/DC
Minimum switching voltage	15 V AC/DC
Limiting continuous current	6 A
Maximum inrush current	6 A
Inrush current, minimum	25 mA
Sq. Total current	$55 \text{ A}^2 (I_{TH}^2 = I_1^2 + I_2^2 + I_3^2 + I_4^2 + I_5^2)$
Interrupting rating (ohmic load) max.	144 W (24 V DC, τ = 0 ms) 288 W (48 V DC, τ = 0 ms) 110 W (110 V DC, τ = 0 ms) 88 W (220 V DC, τ = 0 ms) 1500 VA (250 V AC, τ = 0 ms)
Maximum interrupting rating (inductive load)	42 W (24 V DC, τ = 40 ms) 42 W (48 V DC, τ = 40 ms) 42 W (110 V DC, τ = 40 ms) 42 W (220 V DC, τ = 40 ms)
Switching capacity min.	0.4 W
Output fuse	6 A fast blow (undelayed) 4 A circuit-breaker C (undelayed) 10 A gL/gG NEOZED (delayed)

General data

Length	99 mm
Width	45 mm
Height	114.5 mm

Ambient temperature (operation)	-20 °C ... 55 °C
Ambient temperature (storage/transport)	-20 °C ... 70 °C
Service life mechanical	Approx. 10 ⁷ cycles
Mounting position	Any
Category in acc. with EN 954-1	3 (For delayed contacts) 4 (For non-delayed contacts)
Stop category	0 (For non-delayed contacts) 1 (For delayed contacts)
Name	Air and creepage distances between the power circuits
Standards/regulations	DIN EN 50178/VDE 0160
Rated surge voltage / insulation	4 kV / basic isolation, (safe isolation, increased isolation and 6 kV between the output contact current paths (13/14, 23/24, 33/34) and the remaining current paths and the output contact current paths (13/14, 23/24, 33/34) themselves.)
Rated insulation voltage	250 V
Pollution degree	2
Surge voltage category	III

Connection data

Conductor cross section solid min.	0.2 mm ²
Conductor cross section solid max.	2.5 mm ²
Conductor cross section stranded min.	0.2 mm ²
Conductor cross section stranded max.	2.5 mm ²
Conductor cross section AWG/kcmil min.	24
Conductor cross section AWG/kcmil max	12
Stripping length	7 mm
Screw thread	M3
Type of connection	Screw connection

Certificates / Approvals

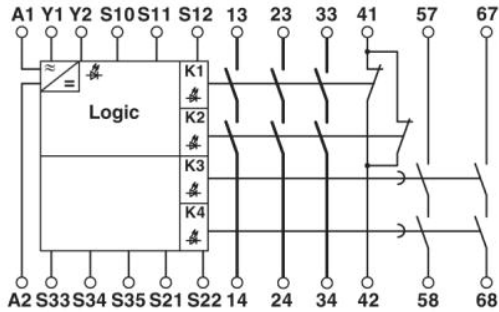


Certification

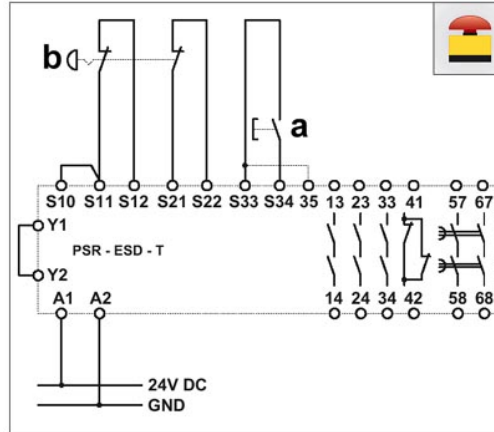
BG, CUL Listed, GOST, UL Listed

Drawings

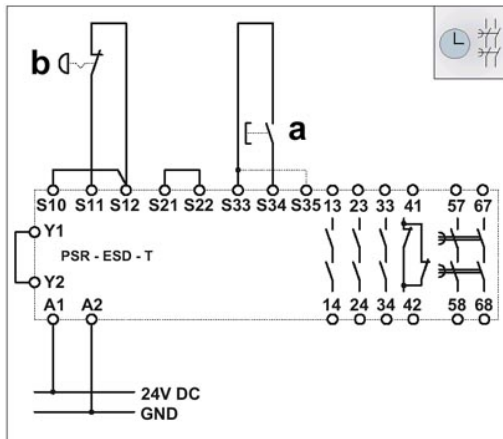
Circuit diagram



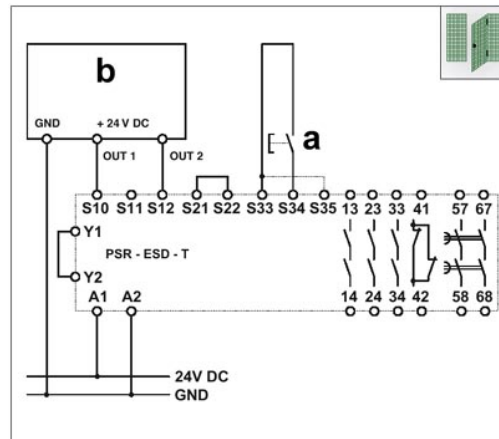
1 = logics



a = RESET
 b = Emergency stop
 Two-channel emergency stop circuit with cross circuiting detection and monitored reset button (bridge on S33/S35: Automatic activation), suitable up to safety category 4.



a = RESET
 b = Emergency stop
 Single-channel emergency stop circuit with monitored reset button (bridge on S33/S35: Automatic activation), suitable up to safety category 2, safety category 4 only when automatically disconnecting switches are used and cables are installed in separate plastic sheaths.



a = RESET
 b = semiconductor output
 Two-channel limit switch monitoring with semiconductor output and monitored reset button (bridge on S33/S35: Automatic activation), suitable up to safety category 4 depending on the limit switch.