

PRODUCT NUMBER  
20020314-XXXXXXLF

20020314- □ □ □ □ □ 0 □ L F


PITCH  
C: 3.50 mm  
D: 3.81 mm

POLES  
02: 2 POLES  
03: 3 POLES  
04: 4 POLES  
24: 24 POLES

LF : DENOTED RoHS COMPATIBLE  
1 : STANDARD PRODUCT  
W/ BOX PACKING

SCREW CODE

CODE	SCREW TYPE	AVAILABILITY
A	-/+ ⊕	ON REQUEST ONLY
B	- ⊖	STANDARD

PROPERTY TABLE			
FCI SERIES NAME		20-350	20-381
PITCH (mm)		3.50	3.81
VOLTAGE RATING (VAC)		300	300
CURRENT RATING (A)		10	10
APPLICABLE WIRE RANGE (AWG)	1-WIRE	16~28	16~28
	2-WIRE	24	24
WIRE CROSS SECTION (mm <sup>2</sup> )	SOLID	1-WIRE	1.5
		2-WIRE	0.5
	STRANDED	1-WIRE	1.0
		2-WIRE	0.2
OPENING CONTACT HOUSING(mm <sup>2</sup> )		1.6x1.6	1.6x1.6
WIRE STRIP LENGTH(mm)		5~6	5~6
TORQUE +/-10% (N-m/Lb-in)		0.19/1.7	0.19/1.7
SCREW		M2x0.4	M2x0.4
WITHSTANDING VOLTAGE (kV)		1.6	1.6
OPERATING TEMP. (°C)		-40~+115	-40~+115
SOLDERING TEMP. (°C)		250±10 (5 sec.)	250±10 (5 sec.)
POLES AVAILABLE		02~24	02~24
SAFETY CERTIFICATE			

HOUSING CODE

CODE	COLOR	AVAILABILITY
1	GREEN(RAL 6018/T)	STANDARD
2	BLACK	ON REQUEST ONLY
3	GREY(RAL 7004/P)	ON REQUEST ONLY
4	BLUE(RAL 5015/A)	ON REQUEST ONLY

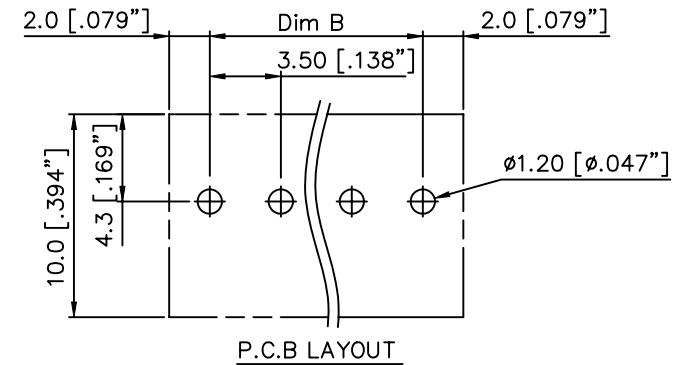
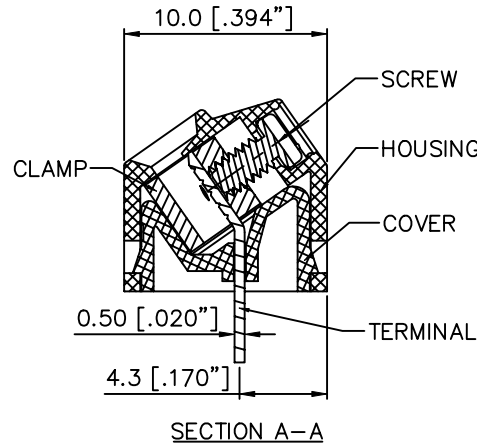
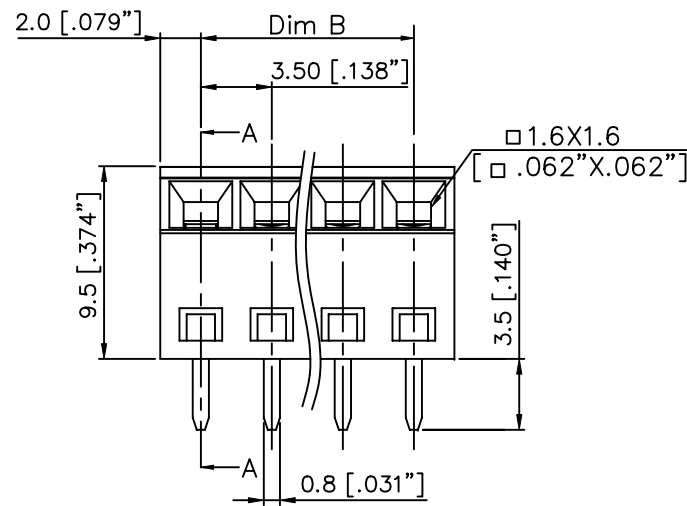
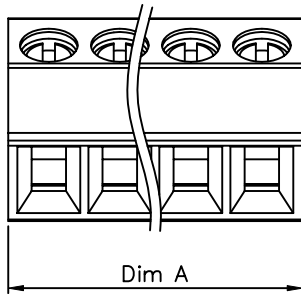
NOTES:

- MATERIALS  
1-1 HOUSING: THERMALPLASTIC RESIN, UL 94V-0 RATED.  
1-2 COVER: THERMALPLASTIC RESIN, UL 94V-0 RATED.  
1-3 SCREW: STEEL, ZINC PLATED.  
1-4 CLAMP: COPPER ALLOY, NICKEL PLATED.  
1-5 TERMINAL: COPPER ALLOY, TIN PLATED.
- PRODUCT SPECIFICATION REFER TO FCI GS-12-625.
- PRODUCT PACKING SPECIFICATION REFER TO FCI GS-14-1394.
- FCI, SAFETY CERTIFICATE LOGO AND SERIES NAME TO BE SHOWN ON PRODUCT SURFACE.
- THE PRODUCTS WHERE THE PART NUMBER END IN "LF" MEET THE EUROPEAN UNION DIRECTIVE AND OTHER COUNTRY REGULATIONS AS DESCRIBED IN GS-22-008.
- RECOMENDED SOLDERING PROCESS BY WAVE SOLDER.

mat'l. code				surface ASME Y14.5 ✓ / tolerance ASME Y14.5		projection		product family	
tolerances unless otherwise specified				X.±0.5		MM		TERMINAL BLOCK	
X*±1"				X.X±0.3		[INCH]		title	
X.XX±0.1				scale		MM		TERMINAL BLOCK	
dr WENDY CHEN 081710				scale		MM		FIXED SIGNAL PLUG, 45 DEGREE	
enrg JASON HSU 081710				scale		MM		dwg no	
chr GARY HSIEH 081710				scale		MM		sheet 1 of 3 size	
appd JOSEPH HSIA 081710				scale		MM		20020314 A4	
sheet index				revision		type		CUSTOMER Drawing	
1 2 3				B B B		type		CUSTOMER Drawing	



PRODUCT NUMBER	SERIES NAME	PITCH
20020314-CXXXXXXLF	20-350	3.50 mm

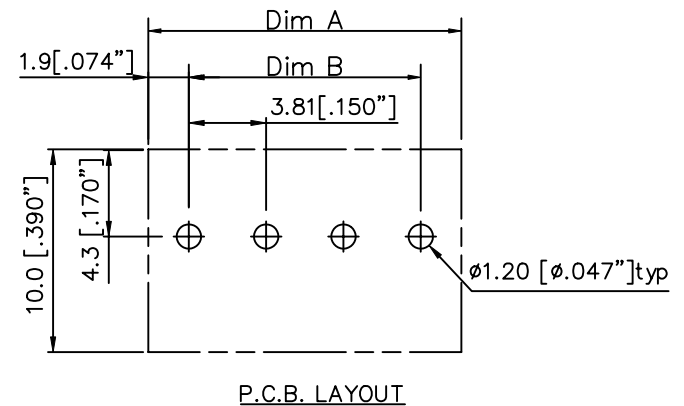
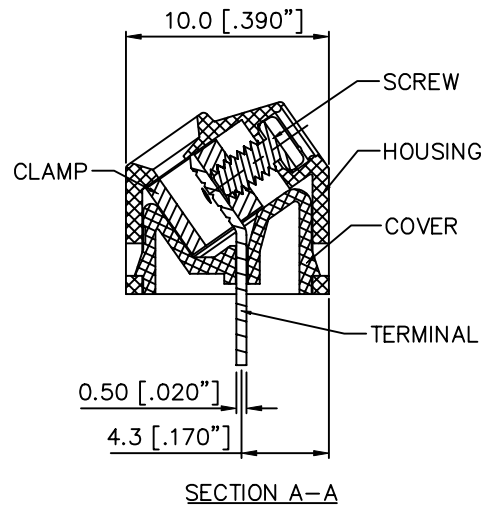
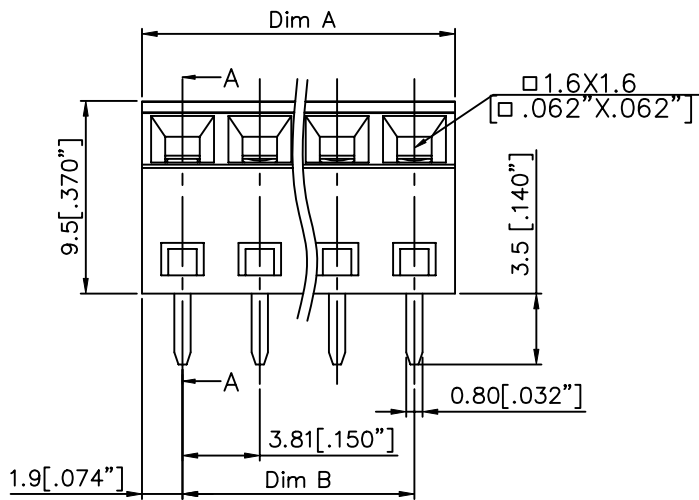
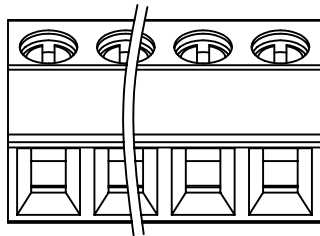


POLE		2	3	4	5	6	7	8
Dim A		7.50[.295"]	11.00[.433"]	14.50[.570"]	18.00[.708"]	21.50[.846"]	25.00[.984"]	28.50[1.122"]
Dim B		3.50[.138"]	7.00[.276"]	10.50[.413"]	14.00[.551"]	17.50[.689"]	21.00[.827"]	24.50[.965"]
Tol.		±0.15[.006"]				±0.20[.008"]		
POLE	9	10	11	12	13	14	15	16
Dim A	32.00[1.259"]	35.50[1.397"]	39.00[1.535"]	42.50[1.673"]	46.00[1.811"]	49.5[1.948"]	53.0[2.086"]	56.50[2.224"]
Dim B	28.00[1.102"]	31.50[1.240"]	35.00[1.378"]	38.50[1.516"]	42.00[1.654"]	45.5[1.791"]	49.0[1.929"]	52.50[2.067"]
Tol.	±0.20[.008"]				±0.25[.010"]			
POLE	17	18	19	20	21	22	23	24
Dim A	60.00[2.362"]	63.50[2.500"]	67.00[2.637"]	70.50[2.775"]	74.00[2.913"]	77.50[3.051"]	81.00[3.188"]	84.50[3.326"]
Dim B	56.00[2.205"]	59.50[2.342"]	63.00[2.480"]	66.50[2.618"]	70.00[2.756"]	73.50[2.894"]	77.00[3.031"]	80.50[3.169"]
Tol.	±0.25[.010"]				±0.30[.012"]			

mat'l. code		surface ASME Y14.5	tolerance ASME Y14.5	projection 	product family TERMINAL BLOCK
ltr	ecn no	dr	date	title	
B				TERMINAL BLOCK FIXED SIGNAL PLUG, 45 DEGREE	
angles		X.±0.5		MM [INCH]	scale
line		X.X±0.3			
X±1"		X.XX±0.1		dwg no 20020314 sheet 2 of 3 size A4	
dr		WENDY CHEN 081710			
enr		JASON HSU 081710			
chr		GARY HSIEH 081710			
appd		JOSEPH HSIA 081710		type CUSTOMER Drawing	
sheet index	revision sheet				



PRODUCT NUMBER	SERIES NAME	PITCH
20020314-DXXXXXXLF	20-381	3.81 mm



POLE		2	3	4	5	6	7	8
Dim A		7.62[.300"]	11.43[.450"]	15.24[.600"]	19.05[.750"]	22.86[.900"]	26.67[1.050"]	30.48[1.200"]
Dim B		3.81[.150"]	7.62[.300"]	11.43[.450"]	15.24[.600"]	19.05[.750"]	22.86[.900"]	26.67[1.050"]
Tol.		±0.15[.006"]				±0.20[.008"]		
POLE	9	10	11	12	13	14	15	16
Dim A	34.29[1.350"]	38.10[1.500"]	41.91[1.650"]	45.72[1.800"]	49.53[1.950"]	53.34[2.100"]	57.15[2.250"]	60.96[2.400"]
Dim B	30.48[1.200"]	34.29[1.350"]	38.10[1.500"]	41.91[1.650"]	45.72[1.800"]	49.53[1.950"]	53.34[2.10"]	57.15[2.250"]
	±0.20[.008"]				±0.25[.010"]			
POLE	17	18	19	20	21	22	23	24
Dim A	64.77[2.550"]	68.58[2.700"]	72.39[2.850"]	76.20[3.000"]	80.01[3.150"]	83.82[3.300"]	87.63[3.450"]	91.44[3.600"]
Dim B	60.96[2.400"]	64.77[2.550"]	68.58[2.700"]	72.39[2.850"]	76.20[3.000"]	80.01[3.150"]	83.82[3.300"]	87.63[3.450"]
	±0.25[.010"]				±0.30[.012"]			

mat'l. code				surface ASME Y14.5	tolerance ASME Y14.5	projection 	product family TERMINAL BLOCK
ltr	ecn no	dr	date	tolerances unless otherwise specified			title
B				angles	X.±0.5	MM [INCH]	TERMINAL BLOCK FIXED SIGNAL PLUG, 45 DEGREE
				X±1°	X.XX±0.1		
				dr	WENDY CHEN	081710	
				enr	JASON HSU	081710	
				chr	GARY HSIEH	081710	
				appd	JOSEPH HSIA	081710	
sheet index	revision sheet						dwg no 20020314 sheet 3 of 3 size A4 type CUSTOMER Drawing

# Mouser Electronics

Authorized Distributor

Click to View Pricing, Inventory, Delivery & Lifecycle Information:

## [FCI / Amphenol:](#)

<u><a href="#">20020314-D111B01LF</a></u>	<u><a href="#">20020314-C141B01LF</a></u>	<u><a href="#">20020314-D041B01LF</a></u>	<u><a href="#">20020314-D241B01LF</a></u>	<u><a href="#">20020314-D201B01LF</a></u>
<u><a href="#">20020314-C241B01LF</a></u>	<u><a href="#">20020314-C041B01LF</a></u>	<u><a href="#">20020314-C171B01LF</a></u>	<u><a href="#">20020314-D211B01LF</a></u>	<u><a href="#">20020314-C071B01LF</a></u>
<u><a href="#">20020314-D141B01LF</a></u>	<u><a href="#">20020314-C191B01LF</a></u>	<u><a href="#">20020314-C231B01LF</a></u>	<u><a href="#">20020314-D171B01LF</a></u>	<u><a href="#">20020314-C201B01LF</a></u>
<u><a href="#">20020314-D071B01LF</a></u>	<u><a href="#">20020314-D101B01LF</a></u>	<u><a href="#">20020314-D031B01LF</a></u>	<u><a href="#">20020314-C161B01LF</a></u>	<u><a href="#">20020314-D131B01LF</a></u>
<u><a href="#">20020314-C131B01LF</a></u>	<u><a href="#">20020314-C031B01LF</a></u>	<u><a href="#">20020314-C101B01LF</a></u>	<u><a href="#">20020314-D231B01LF</a></u>	<u><a href="#">20020314-C221B01LF</a></u>
<u><a href="#">20020314-D221B01LF</a></u>	<u><a href="#">20020314-C061B01LF</a></u>	<u><a href="#">20020314-D061B01LF</a></u>	<u><a href="#">20020314-C091B01LF</a></u>	<u><a href="#">20020314-D161B01LF</a></u>
<u><a href="#">20020314-D191B01LF</a></u>	<u><a href="#">20020314-C121B01LF</a></u>	<u><a href="#">20020314-C021B01LF</a></u>	<u><a href="#">20020314-C151B01LF</a></u>	<u><a href="#">20020314-C051B01LF</a></u>
<u><a href="#">20020314-D181B01LF</a></u>	<u><a href="#">20020314-C211B01LF</a></u>	<u><a href="#">20020314-D081B01LF</a></u>	<u><a href="#">20020314-C181B01LF</a></u>	<u><a href="#">20020314-C081B01LF</a></u>
<u><a href="#">20020314-D121B01LF</a></u>	<u><a href="#">20020314-D151B01LF</a></u>	<u><a href="#">20020314-D091B01LF</a></u>	<u><a href="#">20020314-D021B01LF</a></u>	<u><a href="#">20020314-D051B01LF</a></u>
<u><a href="#">20020314-C111B01LF</a></u>				