

MCR-SWS-U

Order No.: 2766465




<http://eshop.phoenixcontact.de/phoenix/treeViewClick.do?UID=2766465>

MCR threshold value switches, with adjustable hysteresis and relay/transistor output, input signal 0..10 V



Commercial data

GTIN (EAN)	 4 017918 066710
Note	Made-to-order
sales group	H560
Pack	1 pcs.
Customs tariff	85389091
Catalog page information	Page 422 (IF-2011)

<http://>

www.download.phoenixcontact.com

Please note that the data given here has been taken from the online catalog. For comprehensive information and data, please refer to the user documentation. The General Terms and Conditions of Use apply to Internet downloads.

Technical data

Input data

Description of the input	Voltage input
Voltage input signal	0 V ... 10 V
Max. input voltage	11 V
Input resistance of voltage input	≥ 100 kΩ
Min setting range of the voltage threshold value	0 V ... 10 V
Setting range of the hysteresis	0.1 V ... 10 V (setting accuracy: ± 30 mV)
Internal hysteresis	± 30 mV (around the lower/upper switching point)

Setting option	Setting potentiometer, scaled 270° potentiometer
Switching output	
Output name	Transistor output, pnp
Number of inputs	3
Output voltage range	20 V DC ... 30 V DC
Continuous load current	100 mA
Power supply	
Supply voltage range	20 V DC ... 30 V DC
Max. current consumption	60 mA
Typical current consumption	60 mA
Connection data	
Connection method	Pluggable screw connection
Conductor cross section solid min.	0.2 mm ²
Conductor cross section solid max.	2.5 mm ²
Conductor cross section stranded min.	0.2 mm ²
Conductor cross section stranded max.	2.5 mm ²
Conductor cross section AWG/kcmil min.	24
Conductor cross section AWG/kcmil max	14
Stripping length	8 mm
Screw thread	M3
General data	
No. of channels	1
Width	17.5 mm
Height	99 mm
Depth	114.5 mm
Maximum temperature coefficient	≤ 0.02 %/K
Step response (10-90%)	< 25 ms
Ambient temperature (operation)	-20 °C ... 65 °C
Color	green
Housing material	Polyamide PA non-reinforced
Mounting position	Any
Conformance	CE-compliant
UL, USA / Canada	UL 508 Recognized

Certificates / Approvals

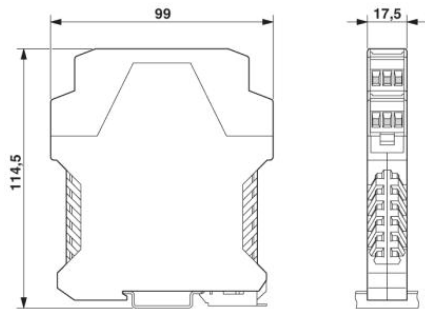


Certification

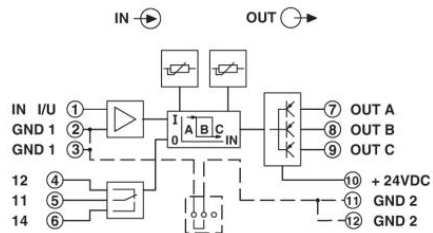
CUL, GOST, UL

Diagrams/Drawings

Dimensioned drawing



Circuit diagram



Address

PHOENIX CONTACT Inc., USA
586 Fulling Mill Road
Middletown, PA 17057, USA
Phone (800) 888-7388
Fax (717) 944-1625
<http://www.phoenixcon.com>



© 2011 Phoenix Contact
Technical modifications reserved;