

PI-N-NAM/RNO


Order No.: 2835888



<http://eshop.phoenixcontact.de/phoenix/treeViewClick.do?UID=2835888>

Non-Ex binary input: NAMUR isolation amplifiers. For operating proximity sensors and switches. The binary signals from the field are sent to the control level. Relay output (N/O contact), line fault detection. Electrical isolation.



Commercial data	
GTIN (EAN)	4 017918 907396 
Note	Made-to-order
sales group	H753
Pack	1 pcs.
Customs tariff	85437090
Catalog page information	Page 459 (IF-2009)

Product notes

WEEE/RoHS-compliant since:
05/09/2007



<http://www.download.phoenixcontact.com>
Please note that the data given here has been taken from the online catalog. For comprehensive information and data, please refer to the user documentation. The General Terms and Conditions of Use apply to Internet downloads.

Technical data	
Input data	
Non-load voltage	8.2 V DC $\pm 10\%$
Switching points (attenuated)	< 1.2 mA (blocking)
Switching points (unattenuated)	> 2.1 mA (conductive)

Output data

Switching output	Relay output
Configurable/programmable	Can be inverted via slide switch
Contact type	N/O contact, reversal options, SPST
Contact material	AgSnO, hard gold-plated
Limiting continuous current	50 mA (for gold layer, 30 V AC/ 36 V DC) 3 A (In the event of destroyed gold layer, 250 V AC/DC)
Min. contact current	1 mA
Mechanical service life	10 ⁷ cycles
Service life, electrical	2 x 10 ⁵ cycles (at full load)

Power supply

Supply voltage range	20 V DC ... 30 V DC
Max. current consumption	30 mA
Power consumption	0.55 W (24 V)

General data

No. of channels	1
Ambient temperature (operation)	-20 °C ... 55 °C
Ambient temperature (storage/transport)	-25 °C ... 85 °C
Status display	Green LED (supply voltage) Yellow LED (status display) Red LED (line errors)
Width	12.4 mm
Depth	147 mm
Inflammability class acc. to UL 94	V0
Housing material	PBT and polyamide PA non-reinforced
Degree of protection	IP20
Color	green
Electrical isolation input / supply	250 V
Electrical isolation output / supply	1.5 kV (50 Hz, 1 min., test voltage)
Conformance	CE-compliant

Certificates / Approvals



Certification

GOST

Additional products

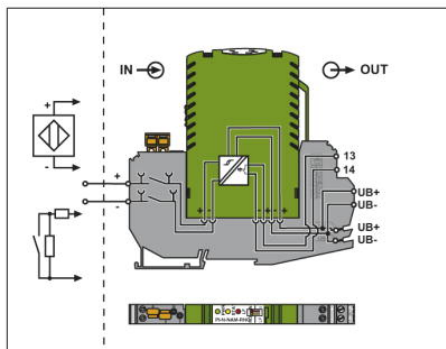
Item	Designation	Description
------	-------------	-------------

General

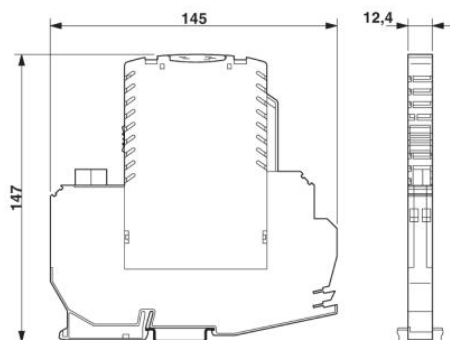
2835943	PI-TB	Base terminal block for non intrinsically safe signals with knife disconnection and test connections.
2858373	TT-PI-TB	Basic terminal block, with isolating connector, test connections and surge protection, mounting on NS 35/7.5

Diagrams/Drawings

Block diagram



Dimensioned drawing



Address

PHOENIX CONTACT Inc., USA
586 Fulling Mill Road
Middletown, PA 17057, USA
Phone (800) 888-7388
Fax (717) 944-1625
<http://www.phoenixcon.com>



© 2011 Phoenix Contact
Technical modifications reserved;