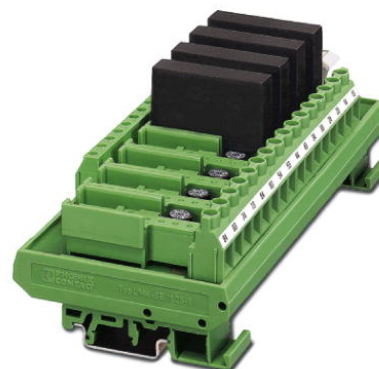


# UMK- 8 OM-R/PF/MKDS

This product has been replaced by a newer version.

Order No.: 2972741

The illustration shows a version for 8 pluggable digital I/O modules, or SOLID-state relays



<http://eshop.phoenixcontact.de/phoenix/treeViewClick.do?UID=2972741>

Interface module, with plug-in socket for 8 solid-state relays, with security latch, with screw connection, with LED and fuse, control logic: minus switching



## Commercial data

GTIN (EAN)	 4 017918 088705
Note	Made-to-order
sales group	G132
Pack	1 pcs.
Customs tariff	85369010
Catalog page information	Page 303 (IF-2009)

## Product notes

WEEE/RoHS-compliant since:  
12/06/2006



<http://www.download.phoenixcontact.com>  
Please note that the data given here has been taken from the online catalog. For comprehensive information and data, please refer to the user documentation. The General Terms and Conditions of Use apply to Internet downloads.

## Technical data

### Input data

Status display/channel	Yellow LED
------------------------	------------

#### Output data

Limiting continuous current	4 A (Optocoupler dependent)
Error detection (line break / short-circuit)	no

#### General data

No. of channels	8
Compatible components	Digital I/O modules
With components	No
Width	180 mm
Height	77 mm
Depth	72 mm
Ambient temperature (operation)	-20 °C ... 55 °C
Ambient temperature (storage/transport)	-20 °C ... 70 °C
Standards/regulations	DIN VDE 0110b, Gr. C for 250 V DC DIN VDE 0160 (in relevant parts)
Mounting position	Any
Assembly instructions	In rows with zero spacing
Housing insulation material	PVC, side panel PA non-reinforced,
Color	green

#### Connection data

Connection 1	Input
Connection method	Screw connection
Number of positions	12
Conductor cross section stranded min.	0.2 mm <sup>2</sup>
Conductor cross section stranded max.	2.5 mm <sup>2</sup>
Conductor cross section solid min.	0.2 mm <sup>2</sup>
Conductor cross section solid max.	4 mm <sup>2</sup>
Conductor cross section AWG/kcmil min.	24
Conductor cross section AWG/kcmil max	12
Screw thread	M3
Stripping length	8 mm
Connection 2	Output
Connection method	Screw connection
Number of positions	3
Conductor cross section solid min.	0.2 mm <sup>2</sup>

Conductor cross section solid max.	6 mm <sup>2</sup>
Conductor cross section stranded min.	0.2 mm <sup>2</sup>
Conductor cross section stranded max.	4 mm <sup>2</sup>
Conductor cross section AWG/kcmil min.	24
Conductor cross section AWG/kcmil max	10
Screw thread	M3
Stripping length	8 mm

**Certificates / Approvals**

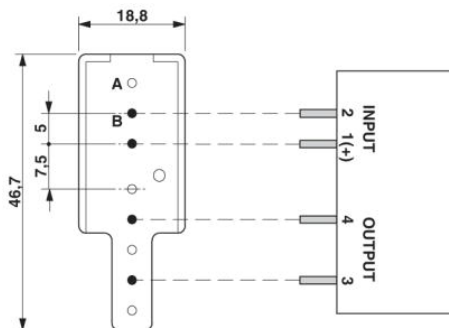


Certification

CUL, GOST, UL

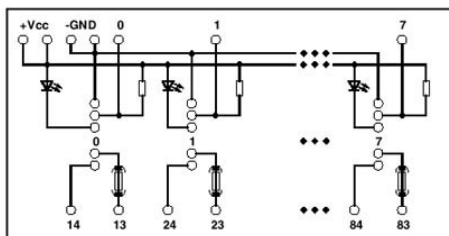
**Diagrams/Drawings**

Dimensioned drawing



A = without metal  
 B = with metal

Circuit diagram



Control logic: Minus switching

**Address**

PHOENIX CONTACT Inc., USA  
586 Fulling Mill Road  
Middletown, PA 17057, USA  
Phone (800) 888-7388  
Fax (717) 944-1625  
<http://www.phoenixcon.com>



© 2011 Phoenix Contact  
Technical modifications reserved;