

UMK-16 OM-R/MF/MKDS/P

Order No.: 2972796

The illustration shows a version for 16 pluggable digital I/O modules, or SOLID-state relays



<http://eshop.phoenixcontact.de/phoenix/treeViewClick.do?UID=2972796>

Interface module, with plug-in socket for 16 solid-state relays, with security latch, with screw connection, with LED and fuse, control logic: plus switching

Commercial data	
GTIN (EAN)	4017918088750
sales group	G132
Pack	1 pcs.
Customs tariff	85364190
Weight/Piece	0.6381 KG
Catalog page information	Page 303 (IF-2009)

Product notes

WEEE/RoHS-compliant since:
12/14/2006



<http://www.download.phoenixcontact.com>
Please note that the data given here has been taken from the online catalog. For comprehensive information and data, please refer to the user documentation. The General Terms and Conditions of Use apply to Internet downloads.

Technical data

Input data	
Typical input current at U_N	30 mA (Optocoupler dependent)
Operating voltage display	Yellow LED
Status display/channel	Yellow LED

Output data

Limiting continuous current	4 A (Optocoupler dependent)
Nominal supply voltage	250 V
Error detection (line break / short circuit)	no

General data

No. of channels	16
Compatible components	Digital I/O modules
With components	No
Width	326.5 mm
Height	72 mm
Depth	77 mm
Ambient temperature (operation)	-20 °C ... 50 °C
Ambient temperature (storage/transport)	-20 °C ... 70 °C
Test voltage	4 kV AC
Standards/regulations	DIN VDE 0110b, Gr. C for 250 V DC DIN VDE 0160 (in relevant parts)
Mounting position	Any
Assembly instructions	In rows with zero spacing
Housing insulation material	PVC, side panel PA non-reinforced,
Color	green

Connection data

Connection 1	Input
Type of connection	Screw connection
Number of positions	20
Conductor cross section stranded min.	0.2 mm ²
Conductor cross section stranded max.	2.5 mm ²
Conductor cross section solid min.	0.2 mm ²
Conductor cross section solid max.	4 mm ²
Conductor cross section AWG/kcmil min.	24
Conductor cross section AWG/kcmil max	12
Screw thread	M3
Stripping length	8 mm
Connection 2	Output
Type of connection	Screw connection

Number of positions	3
Conductor cross section solid min.	0.2 mm ²
Conductor cross section solid max.	6 mm ²
Conductor cross section stranded min.	0.2 mm ²
Conductor cross section stranded max.	4 mm ²
Conductor cross section AWG/kcmil min.	24
Conductor cross section AWG/kcmil max	10
Screw thread	M3
Stripping length	8 mm

Certificates / Approvals



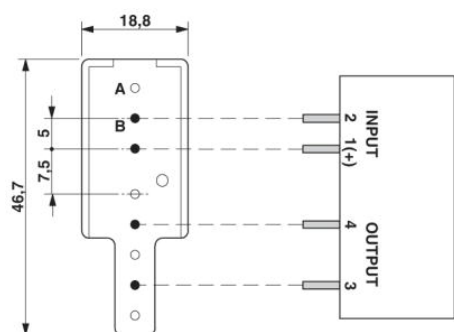
Certification CUL, GOST, UL

Accessories

Item	Designation	Description
General		
2900998	VF-SI/TR5/4AT	Steckbare Sicherung (TR5 [®]), Nennstrom: 4 A T

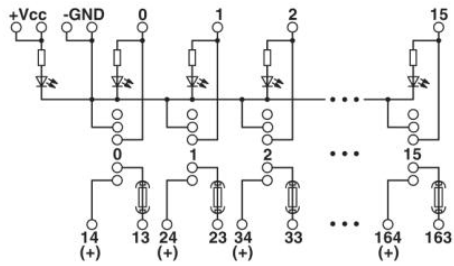
Diagrams/Drawings

Dimensioned drawing



A = without metal
 B = with metal

Circuit diagram



Control logic: Plus switching

Address

PHOENIX CONTACT Inc., USA
586 Fulling Mill Road
Middletown, PA 17057, USA
Phone (800) 888-7388
Fax (717) 944-1625
<http://www.phoenixcon.com>



© 2010 Phoenix Contact
Technical modifications reserved;