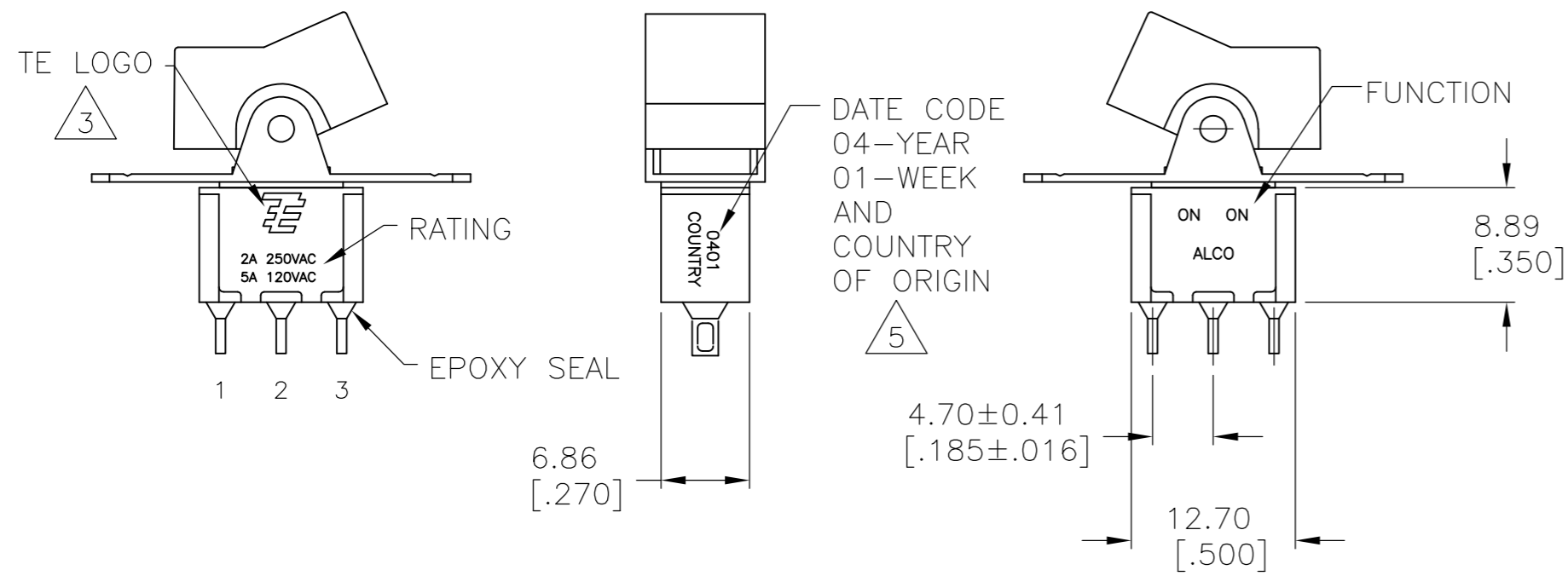


THIS DRAWING IS UNPUBLISHED. RELEASED FOR PUBLICATION  
 © COPYRIGHT - By - ALL RIGHTS RESERVED.

LOC		DIST		REVISIONS			
P	LTR	DESCRIPTION		DATE	DWN	APVD	
	A10	REVISED PER ECO-15-007883		20AUG2015	NK	RH	



- 1 ALL MATERIALS AND FINISHES SHALL COMPLY WITH EU DIRECTIVE 2002/95/EC OF 27JAN2003 (ROHS).
- 2 G CONTACT OPTION CAN BE USED FOR SIGNAL OR POWER LEVEL SWITCHING. IF SWITCH IS USED AT LEVELS EXCEEDING .4VA @ 20V AC/DC, SWITCH IS RENDERED FOR POWER SWITCHING ONLY DUE TO ARC REMOVAL OF GOLD PLATING. RATING MARKED ON SWITCH IS 2A 250VAC, 5A 120VAC.
- △3 TE CONNECTIVITY LOGO PER PER TEC-202-36.
- △5 DATE CODE AND COUNTRY OF ORIGIN MAY APPEAR ON EITHER SIDE OF SWITCH.
- 6 PANEL MOUNT BRACKET SUPPLIED WITH TERMINALS W, Z AND Z3 ONLY.
- △7 ACTUATOR MARKED  -
- △8 ACTUATOR MARKED -
- △9 ACTUATOR MARKED -
- 10 ALL LOGO, RATING, DATE CODE, AND FUNCTION MARKINGS TO BE LASER MARKED.
- △11 OBSOLETE

FUNCTION CHART			
FUNCTION			
	1 2 3	1 2 3	1 2 3
01	ON	NONE	ON
03	ON	OFF	ON
05	(ON)	OFF	(ON)
07	ON	OFF	(ON)
08	ON	NONE	(ON)
TERMINALS CONNECTED	2-3	---	1-2

NONE: NO MECHANICAL POSITION  
 OFF: MECHANICAL POSITION WITH NO ELECTRICAL CONNECTION  
 (ON): MOMENTARY ACTION

SPECIFICATIONS	
RATING, B CONTACTS	.4VA MAX @20V MAX. AC OR DC
RATING, G CONTACTS-SEE NOTE 2	.4VA MAX @20V MAX. AC OR DC OR
	5A @120 VAC OR 28 VDC (RESISTIVE)
RATING, Q CONTACTS	2A @250 VAC (RESISTIVE)
	5A @120 VAC OR 28 VDC (RESISTIVE)
ELECTRICAL LIFE	6,000 CYCLES AT RATED LOAD
CONTACT RESISTANCE	10 MILLIOHMS MAX INITIAL @ 2-4VDC, 100MA
INSULATION RESISTANCE	1,000 MEGOHMS MIN
DIELECTRIC WITHSTANDING VOLTAGE	1,000 V RMS AT SEA LEVEL
OPERATING TEMPRATURE	-30C TO 85C

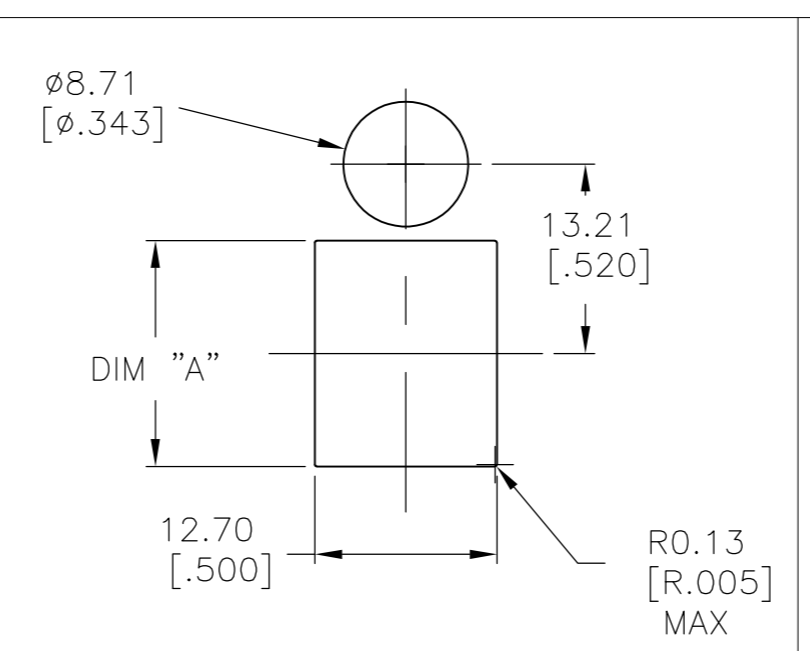
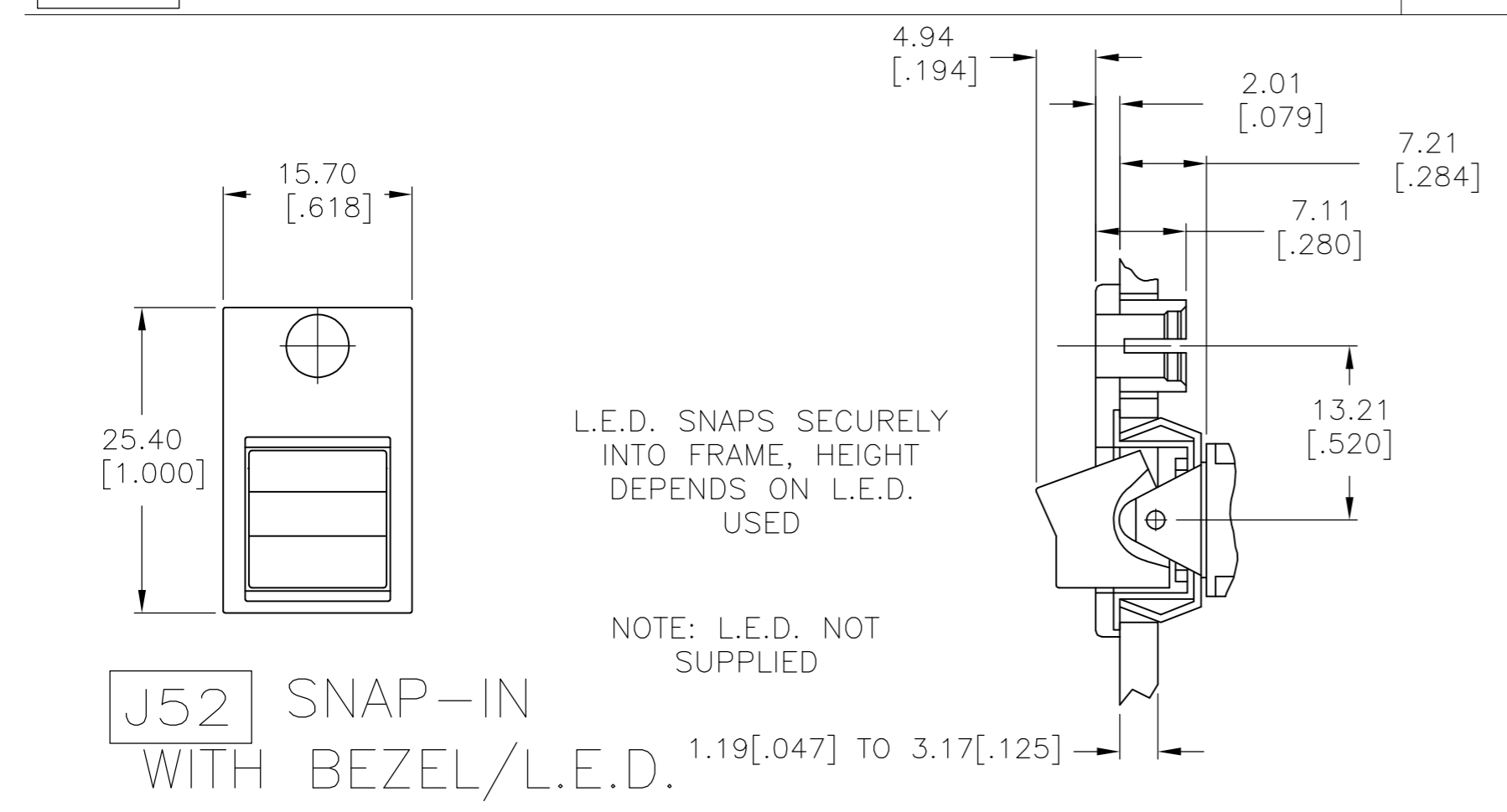
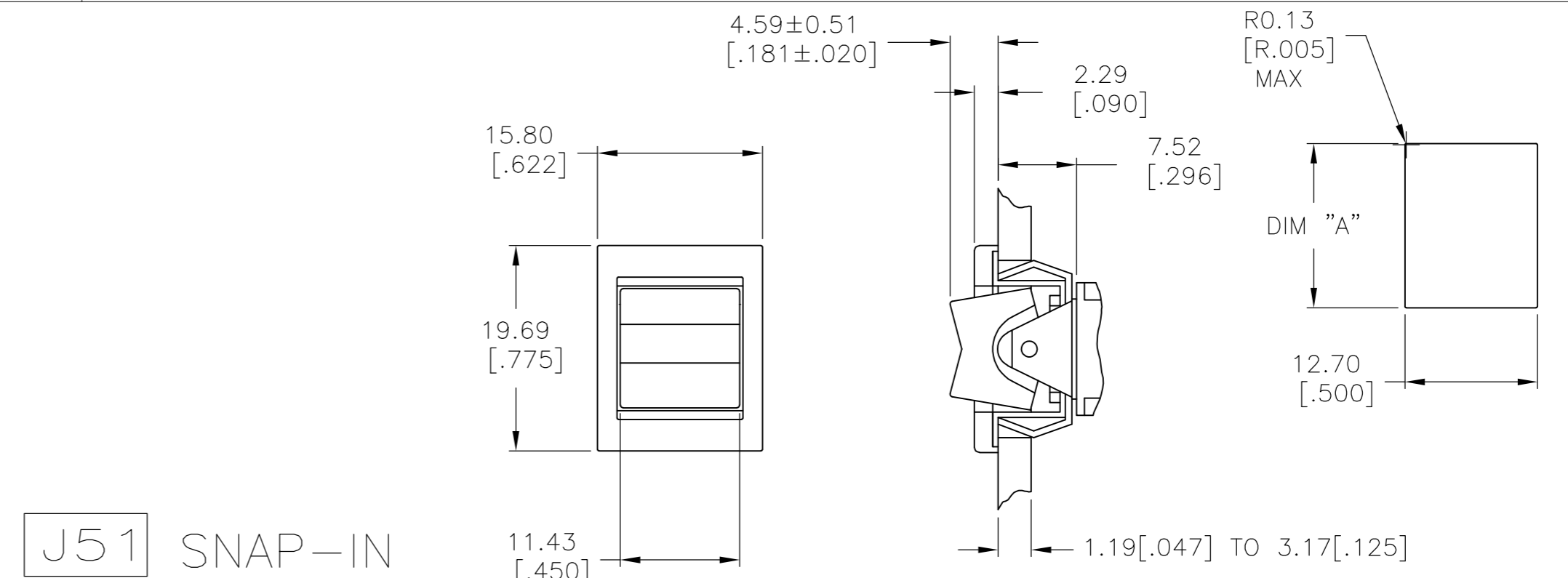
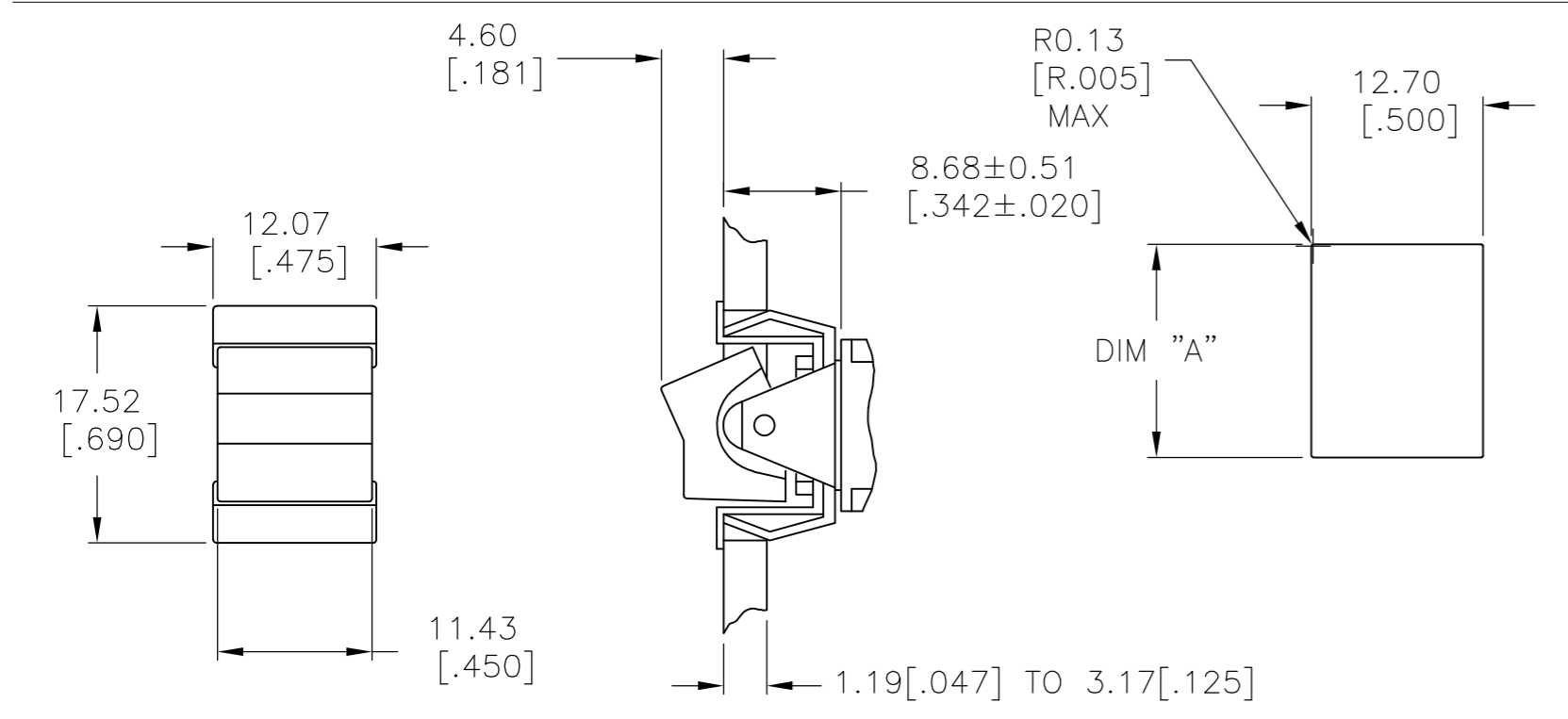
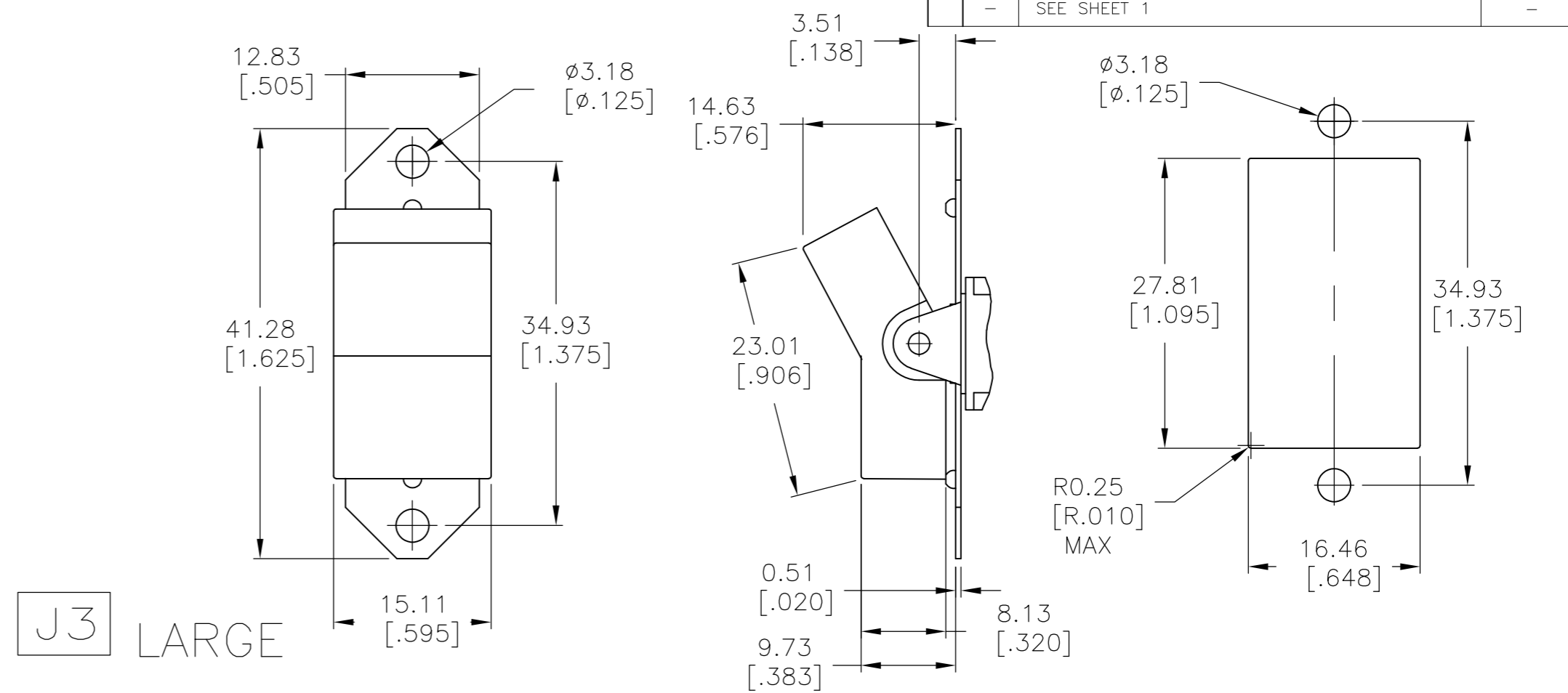
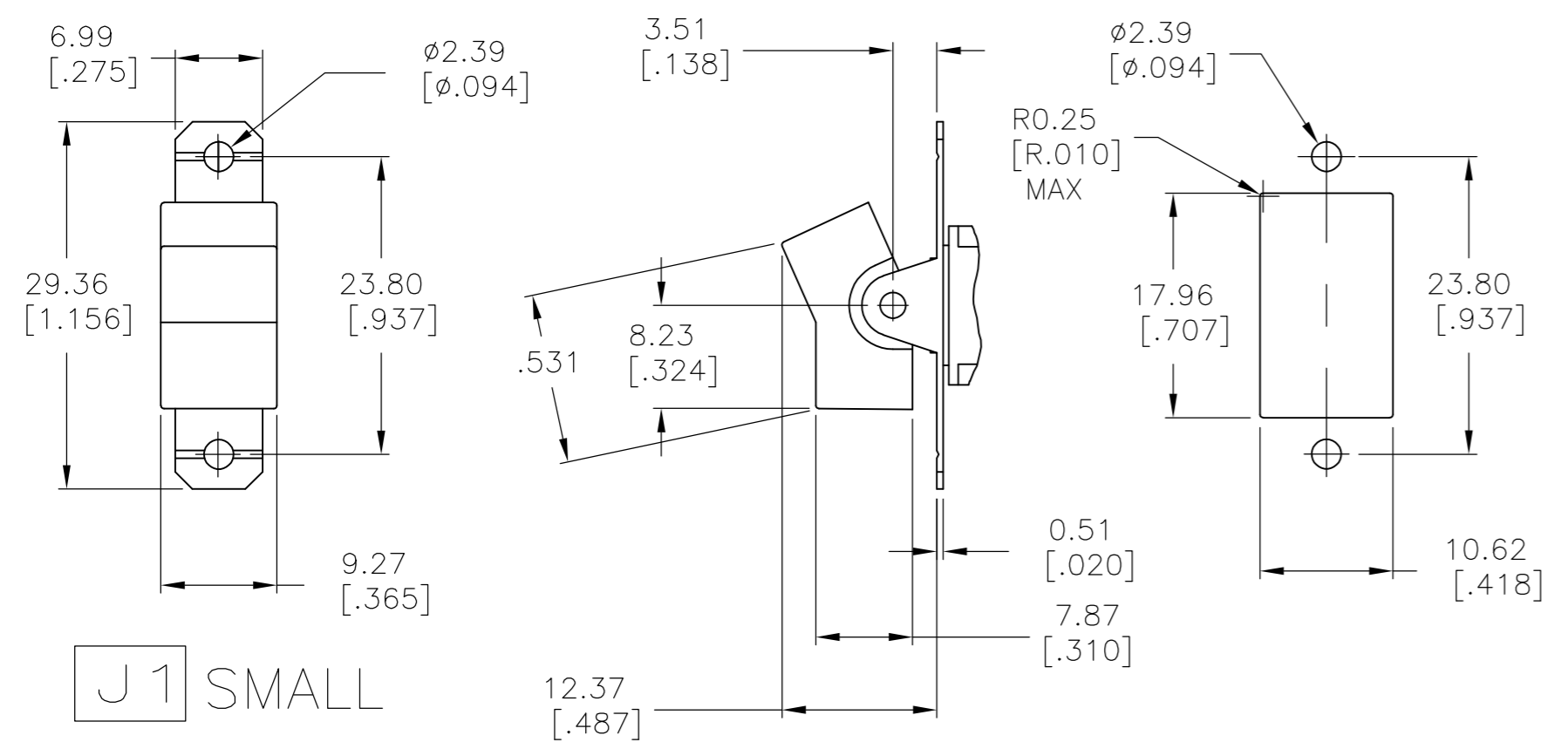
PART NUMBER SEQUENCE CHART							
MODEL	FUNCTION	ACTUATOR	TERMINAL	CONTACT	ACTUATOR COLOR	BEZEL COLOR	ROHS
A1							04
	01	J1	A	B	0 BLACK (STD)	0 BLACK (STD)	
	03	J3	AV2	G	1 BROWN	1 BROWN	
	05	J50	C	Q	2 RED	2 RED	
	07	J51	V3		3 ORANGE	3 ORANGE	
	08	J52	V4		4 YELLOW	4 YELLOW	
		J2	V6		5 GREEN	5 GREEN	
		J4	V7		6 BLUE	6 BLUE	
		J60	W		8 GRAY	8 GRAY	
		J61	W4		9 WHITE	9 WHITE	
		J62	Z				
			Z3				

THIS DRAWING IS A CONTROLLED DOCUMENT.

DIMENSIONS: mm [INCHES]	TOLERANCES UNLESS OTHERWISE SPECIFIED:	DWN M.BINNER 06JAN05	
	0 PLC ± -	CHK M.ZITTO 06JAN05	
	1 PLC ± -	APVD M.ZITTO 06JAN05	
	2 PLC ± -	PRODUCT SPEC	
	3 PLC ± 0.25[0.01]	APPLICATION SPEC	
4 PLC ± -	ANGLES ± 4'	MATERIAL	NAME GEMINI A SERIES ROCKER SWITCH SINGLE POLE
FINISH	WEIGHT	SIZE A2	CAGE CODE 00779
		CUSTOMER DRAWING	DRAWING NO C=1571986
		SCALE 2:1	SHEET 1 of 5
			REV A10

THIS DRAWING IS UNPUBLISHED. RELEASED FOR PUBLICATION  
 © COPYRIGHT - By - ALL RIGHTS RESERVED.

LOC		DIST		REVISIONS			
P	LTR	DESCRIPTION	DATE	DWN	APVD		
AD	00	SEE SHEET 1	-	-	-		

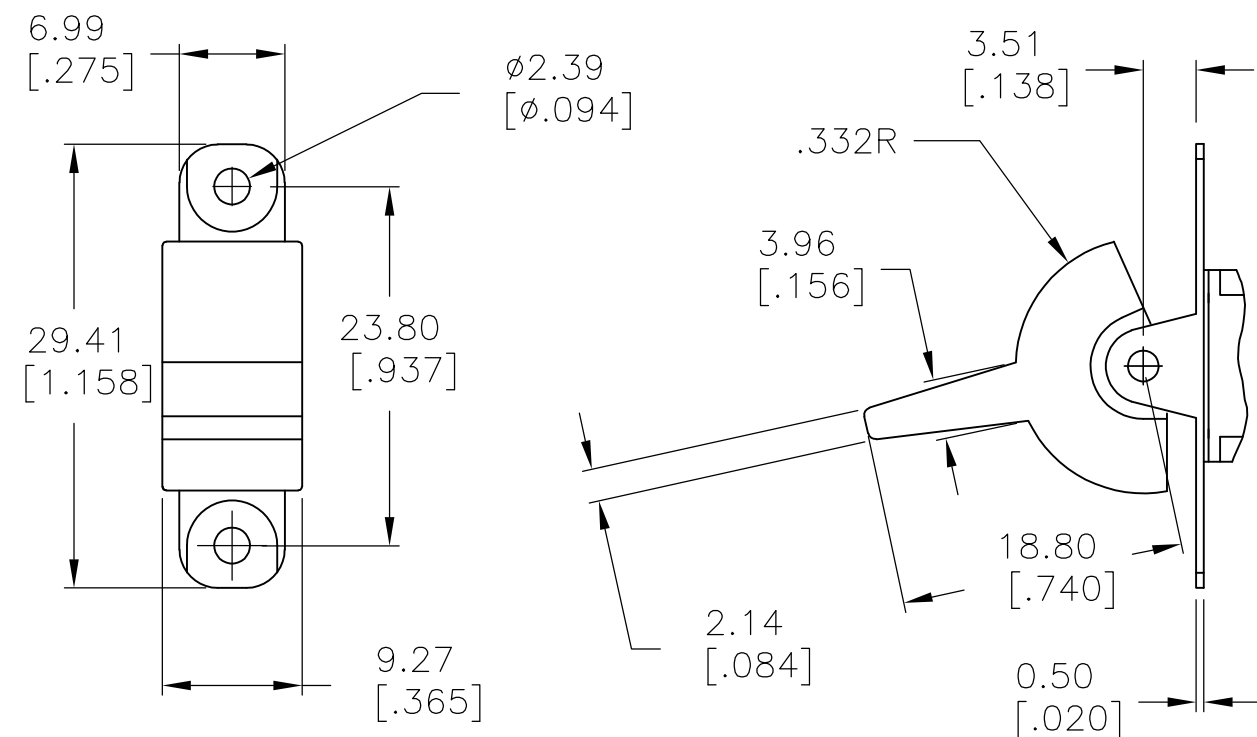


1.52 [.060] - 3.17 [.125]	15.75 [.620] - 15.87 [.625]
1.19 [.047] - 1.50 [.059]	15.72 [.619]
PANEL THICKNESS	DIM "A"

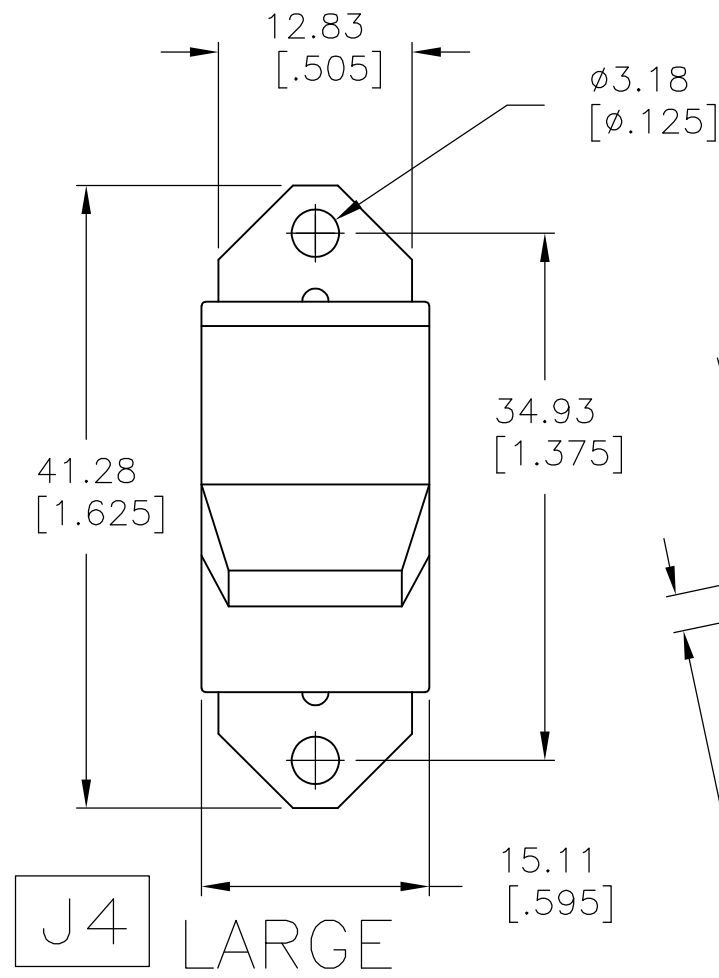
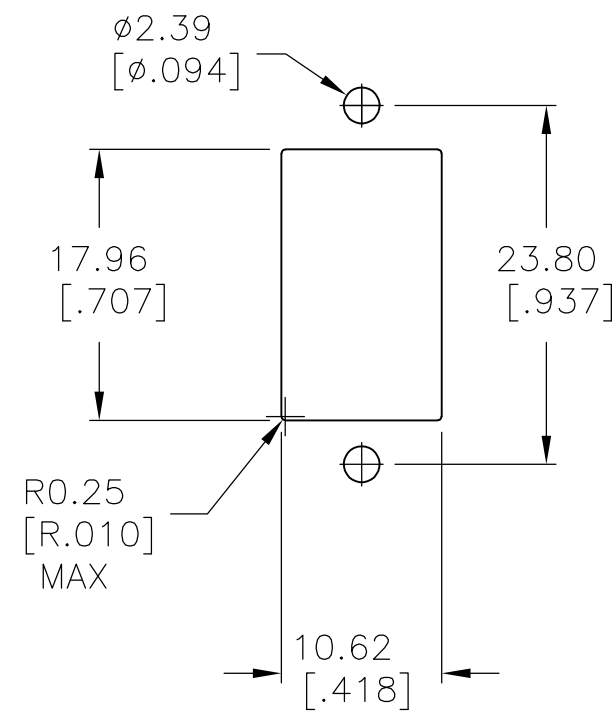
THIS DRAWING IS A CONTROLLED DOCUMENT.		DWN	M. BINNER	06JAN05
DIMENSIONS: mm [INCHES]		CHK	M. ZITTO	06JAN05
TOLERANCES UNLESS OTHERWISE SPECIFIED:		APVD	M. ZITTO	06JAN05
0 PLC	± -	NAME		
1 PLC	± -	GEMINI A SERIES ROCKER SWITCH SINGLE POLE		
2 PLC	± -	SIZE	A2	CAGE CODE
3 PLC	± 0.25 [0.01]	DRAWING NO	C=1571986	
4 PLC	± -	RESTRICTED TO	-	
ANGLES	± 4°	SCALE 2:1 SHEET 2 of 5 REV A10		
MATERIAL	-	CUSTOMER DRAWING		

THIS DRAWING IS UNPUBLISHED. RELEASED FOR PUBLICATION  
 © COPYRIGHT - By - ALL RIGHTS RESERVED.

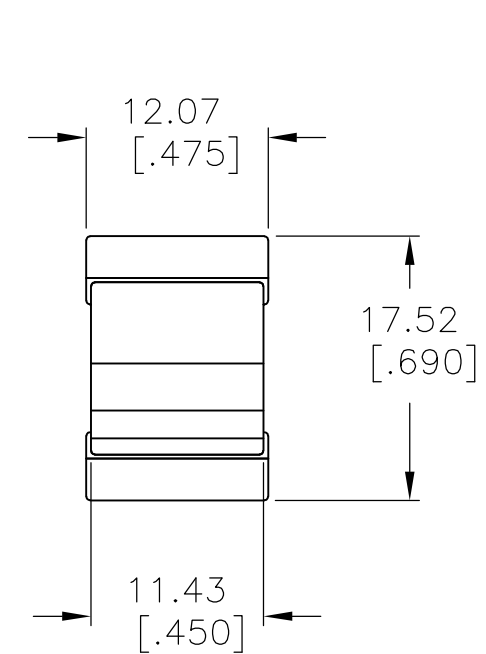
LOC	DIST	REVISIONS					
AD	00	P	LTR	DESCRIPTION	DATE	DWN	APVD
		-	-	SEE SHEET 1	-	-	-



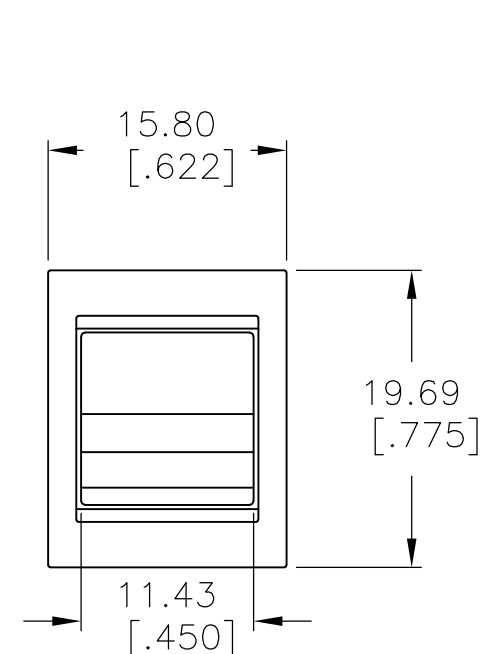
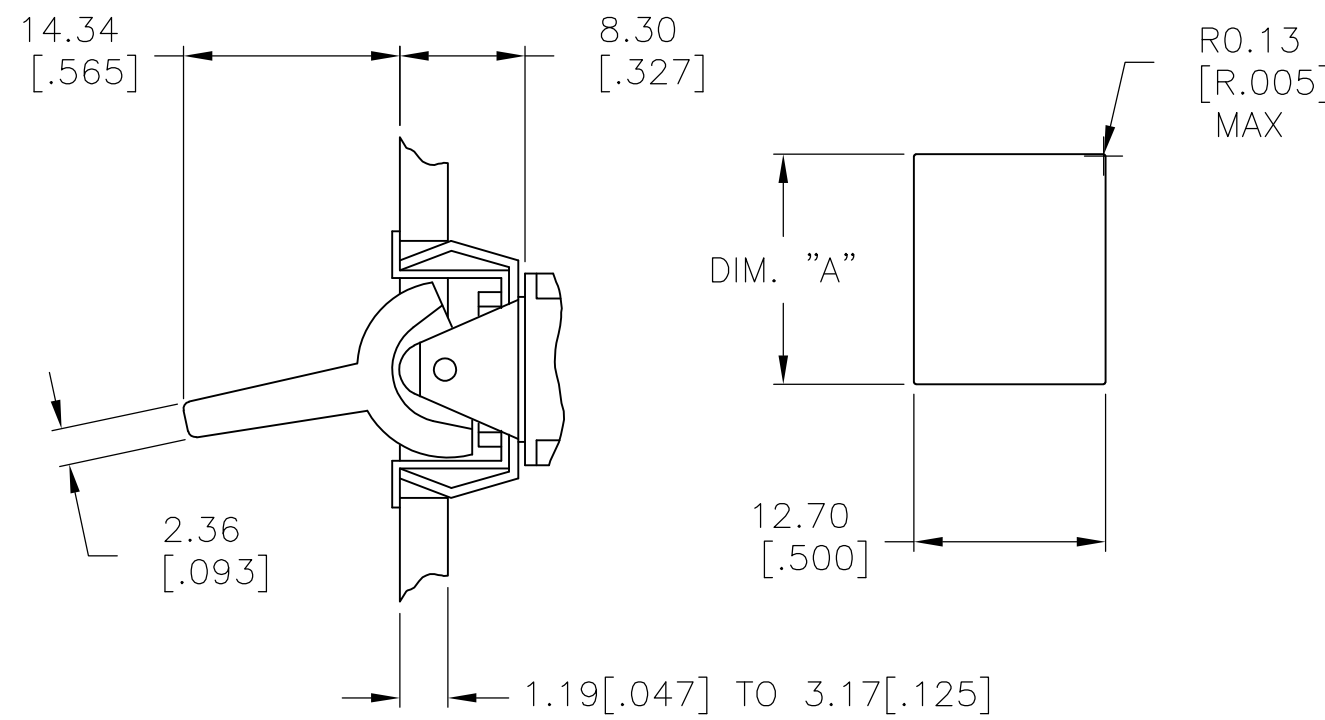
J2 SMALL



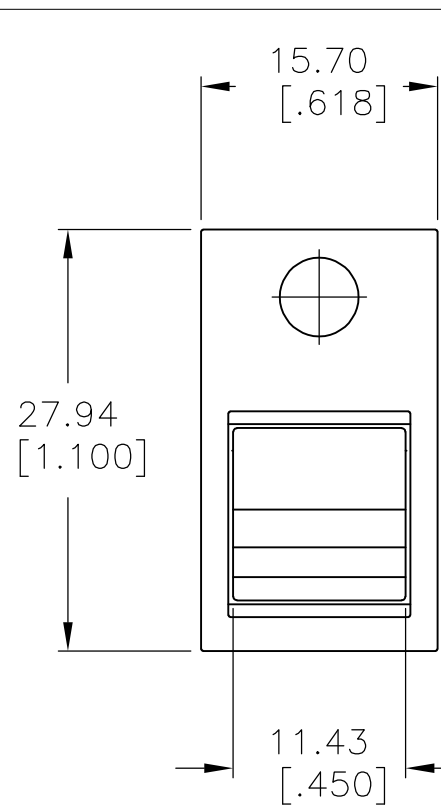
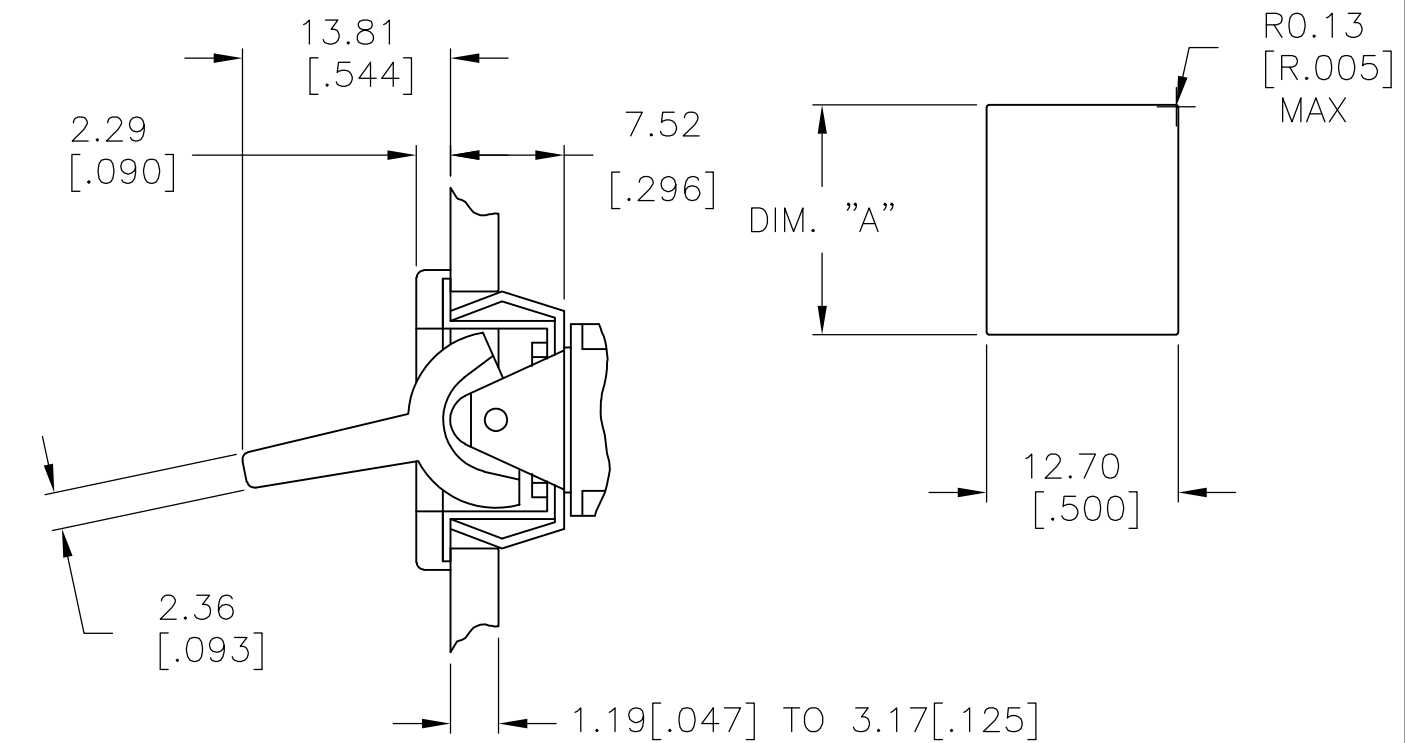
J4 LARGE



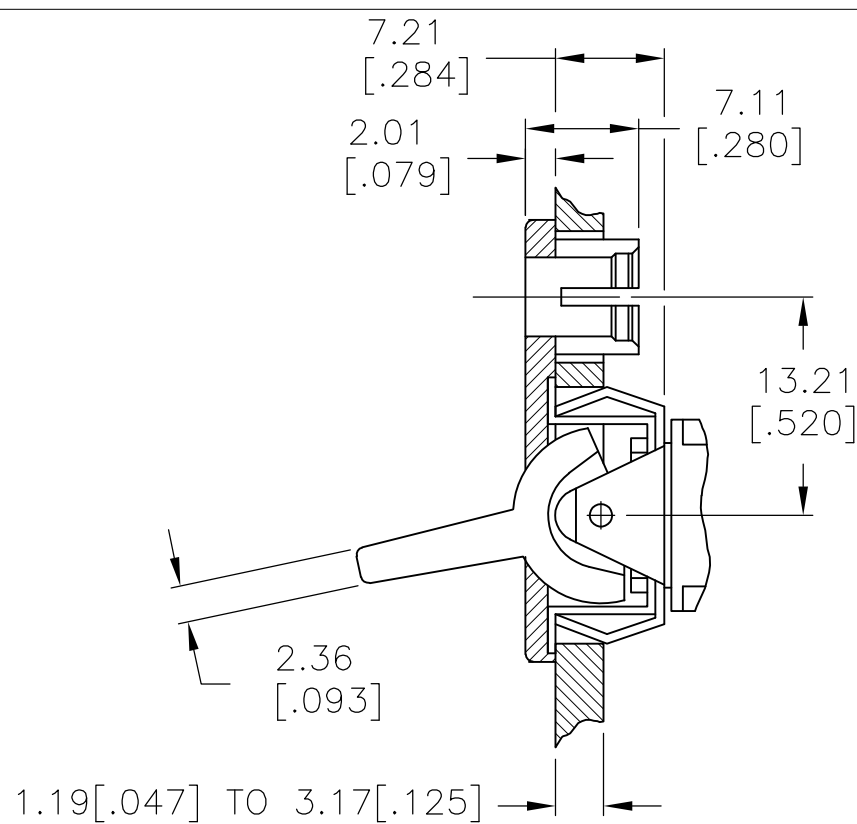
J60 SNAP-IN



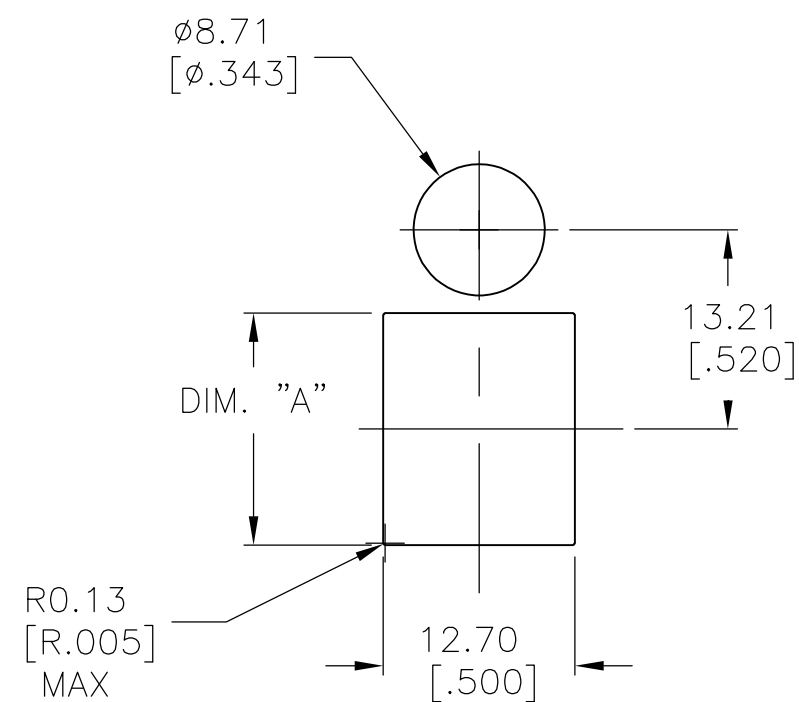
J61 SNAP-IN WITH BEZEL



J62 SNAP-IN WITH BEZEL/L.E.D.



NOTE: L.E.D. NOT SUPPLIED

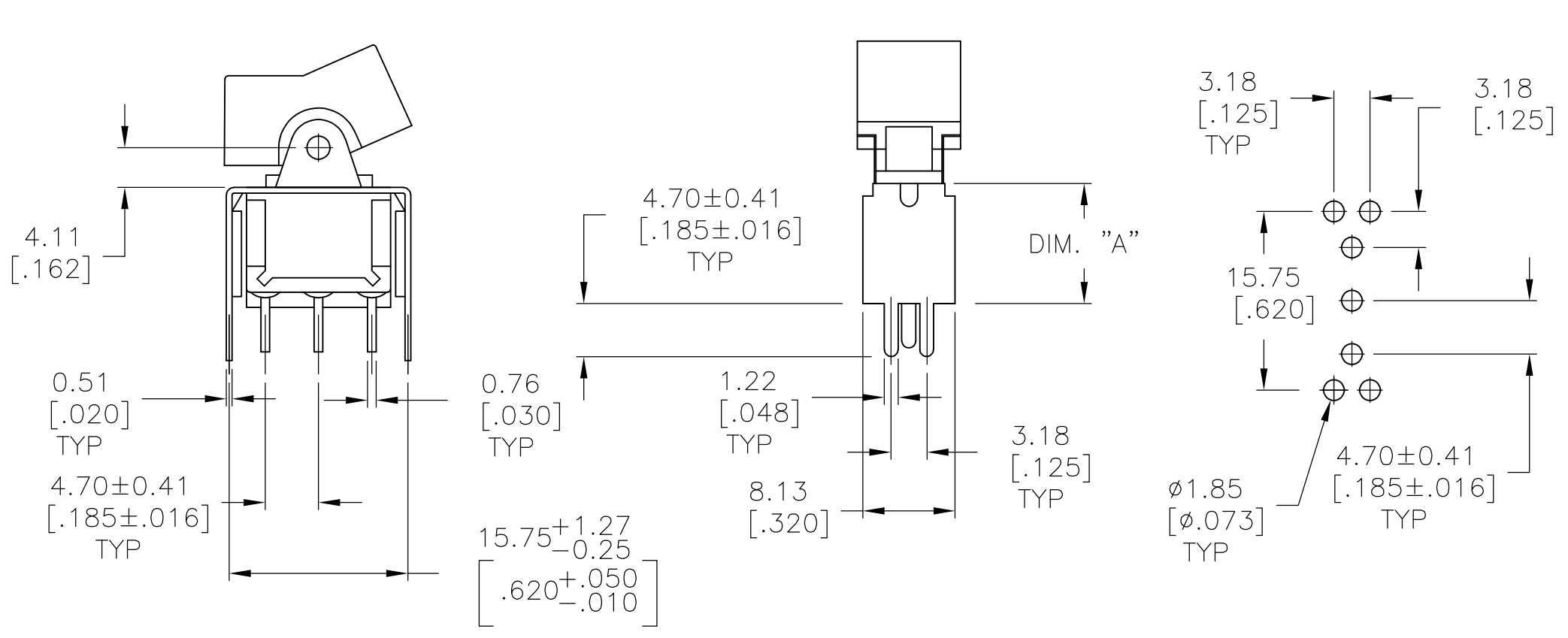
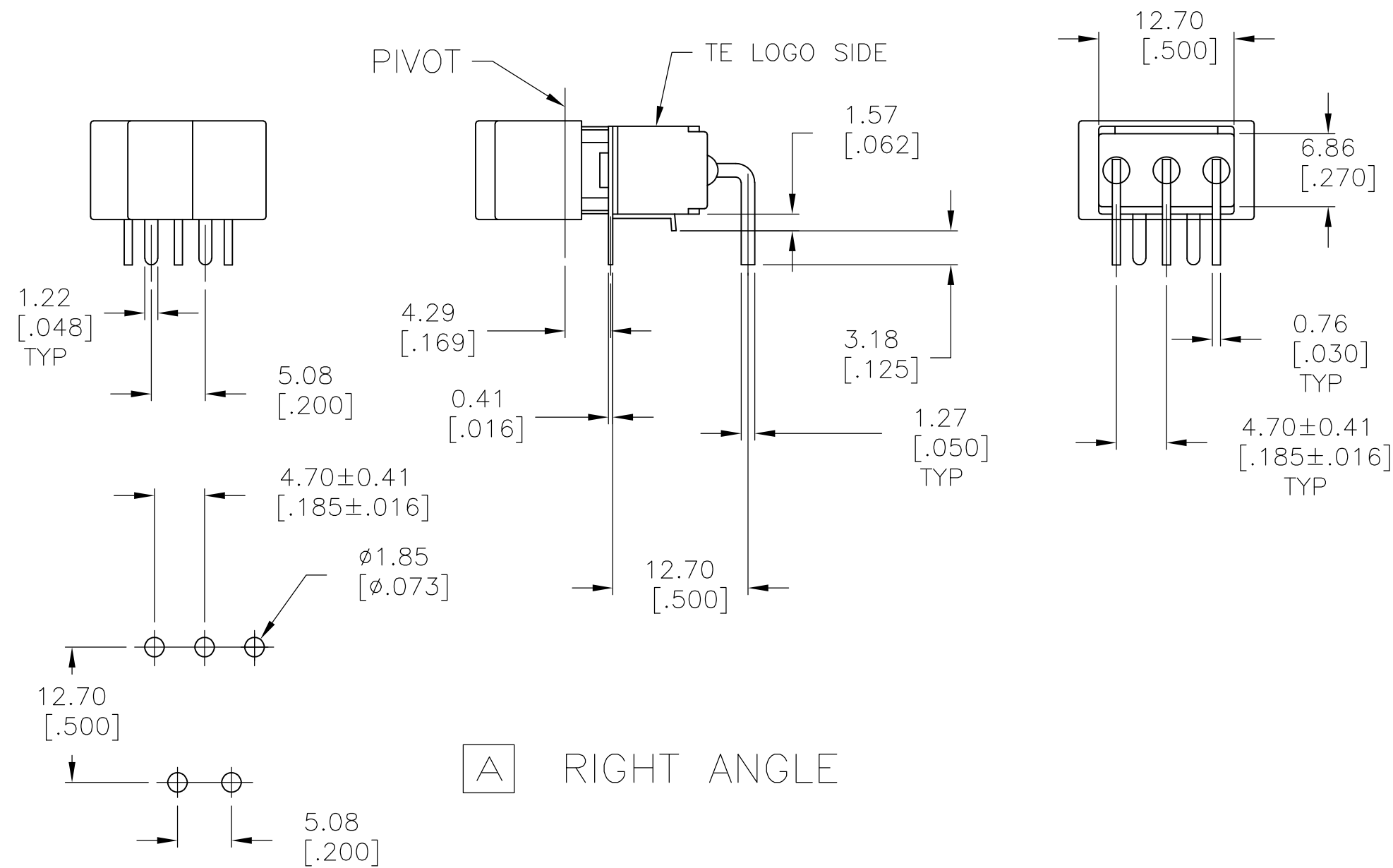


1.52 [.060] - 3.17 [.125]	15.75 [.620] - 15.87 [.625]
1.19 [.047] - 1.50 [.059]	15.72 [.619]
PANEL THICKNESS	
DIM "A"	

THIS DRAWING IS A CONTROLLED DOCUMENT.		DWN	M. BINNER	06JAN05
DIMENSIONS: mm [INCHES]		CHK	M. ZITTO	06JAN05
TOLERANCES UNLESS OTHERWISE SPECIFIED:		APVD	M. ZITTO	06JAN05
0 PLC	± -	NAME		
1 PLC	± -	GEMINI A SERIES ROCKER SWITCH SINGLE POLE		
2 PLC	± -	SIZE	A2	CAGE CODE
3 PLC	± 0.25 [0.01]	DRAWING NO	C=1571986	
4 PLC	± -	RESTRICTED TO	-	
ANGLES	± 4°	CUSTOMER DRAWING		
MATERIAL	-	SCALE	2:1	
FINISH	-	SHEET	3 of 5	
		REV	A10	

THIS DRAWING IS UNPUBLISHED. RELEASED FOR PUBLICATION  
 © COPYRIGHT - By - ALL RIGHTS RESERVED.

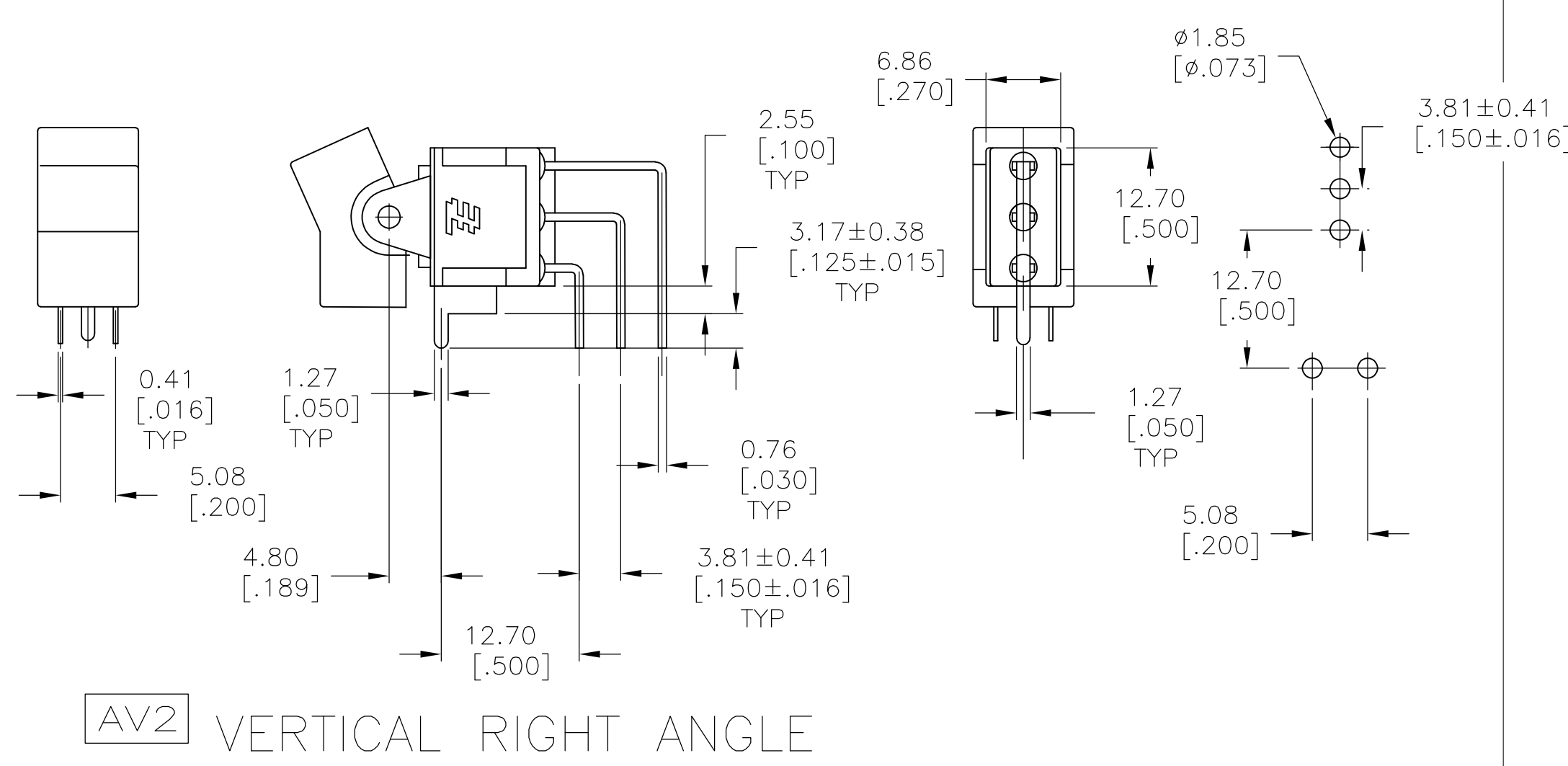
LOC	DIST	REVISIONS			
P	LTR	DESCRIPTION	DATE	DWN	APVD
AD	00	SEE SHEET 1	-	-	-



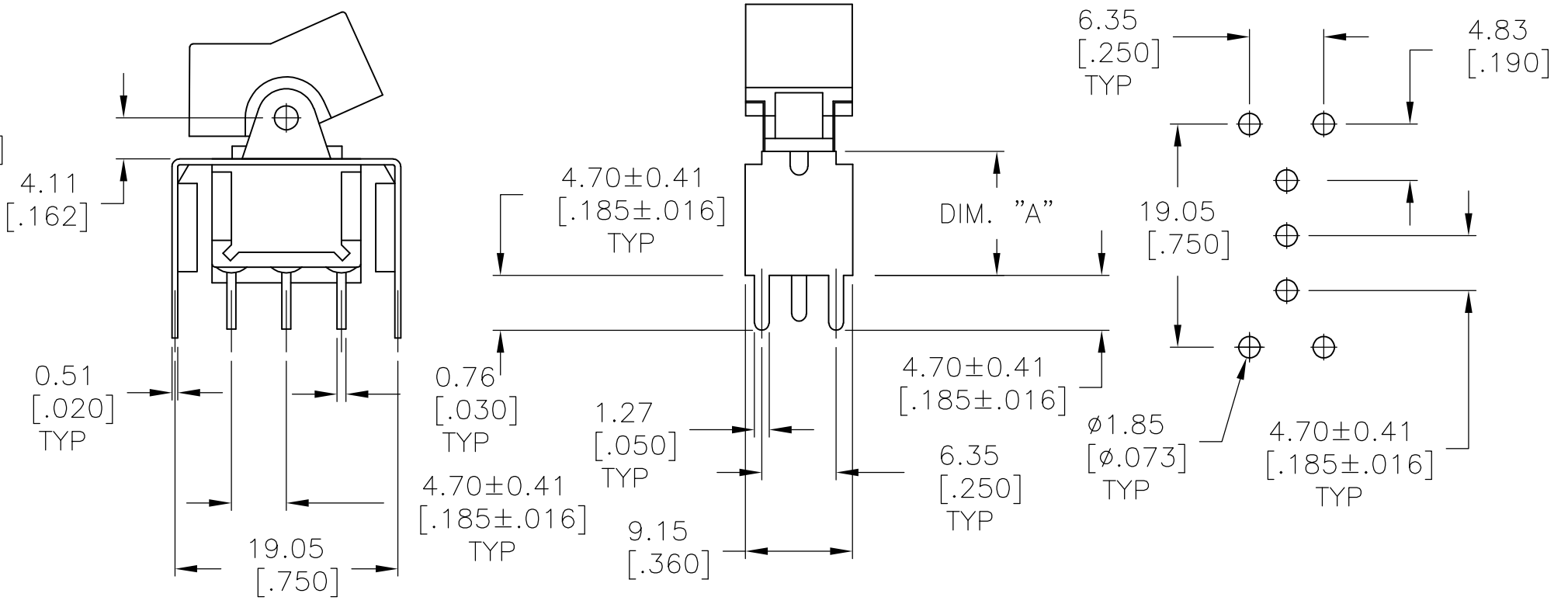
V3 V4

VERTICAL SUPPORT BRACKET

OPTION CODE	DIM "A"
V3	11.68 [.460]
V4	16.00 [.630]



[AV2] VERTICAL RIGHT ANGLE



V6 V7

VERTICAL SUPPORT BRACKET

OPTION CODE	DIM "A"
V6	11.68 [.460]
V7	16.00 [.630]

THIS DRAWING IS A CONTROLLED DOCUMENT.

DWN	M. BINNER	06JAN05
CHK	M. ZITTO	06JAN05
APVD	M. ZITTO	06JAN05
PRODUCT SPEC		
APPLICATION SPEC		
WEIGHT	-	

**STE** TE Connectivity

NAME: GEMINI A SERIES ROCKER SWITCH SINGLE POLE

SIZE: A2 CAGE CODE: 00779 DRAWING NO: 1571986 RESTRICTED TO: -

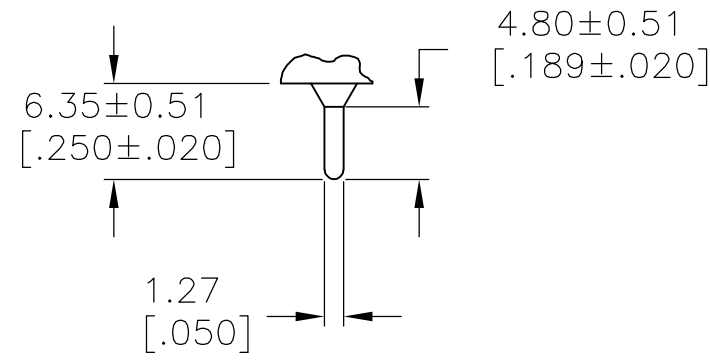
CUSTOMER DRAWING SCALE: 2:1 SHEET: 4 of 5 REV: A10

THIS DRAWING IS UNPUBLISHED. RELEASED FOR PUBLICATION  
 © COPYRIGHT - By - ALL RIGHTS RESERVED.

LOC	DIST	REVISIONS					
AD	00	P	LTR	DESCRIPTION	DATE	DWN	APVD
		-	-	SEE SHEET 1	-	-	-

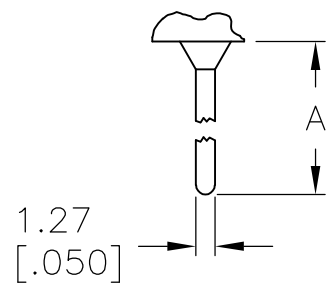
### MATERIALS CHART

COMPONENT NAME	BASE MATERIAL	FINISH
CASE	DAP, 30-40% GF, RED, UL94 V-0, COSMIC D72/6120F	
FRAME	304 STAINLESS STEEL	
B TERMINALS & CONTACTS	C194 COPPER	GOLD OVER NICKEL
G TERMINALS & CONTACTS	C194 COPPER	GOLD OVER SILVER
Q TERMINALS & CONTACTS	C194 COPPER	SILVER
ACTUATOR	PHENOLIC, BLACK, UL94 V-1	
ROCKER CAP	NYLON, BLACK, UL94 V-1, NYTEX MG-2012N	
BUSHING & ACTUATOR LEVER	ZINC ALLOY K2	.000100-.000150 NICKEL
SPRING	MUSIC WIRE	
SUPPORT BRACKET	C2680H BRASS	TIN
PIVOT PIN	STEEL	NICKEL
TERMINAL SEAL	EPOXY, UL94 V-1, BOOM HOUSE S-9001A	



.030 THK.

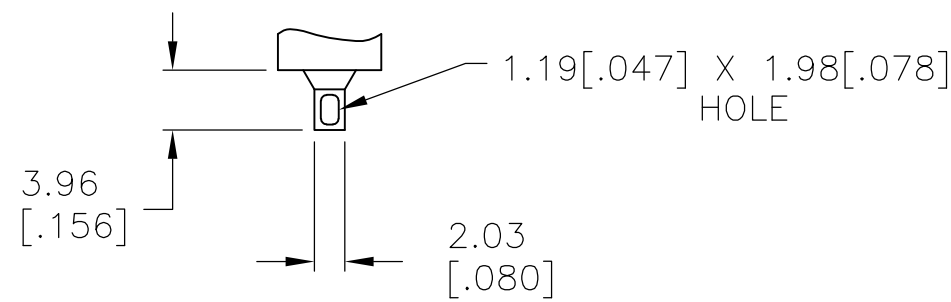
**C** PRINTED CIRCUIT



.030 THK.

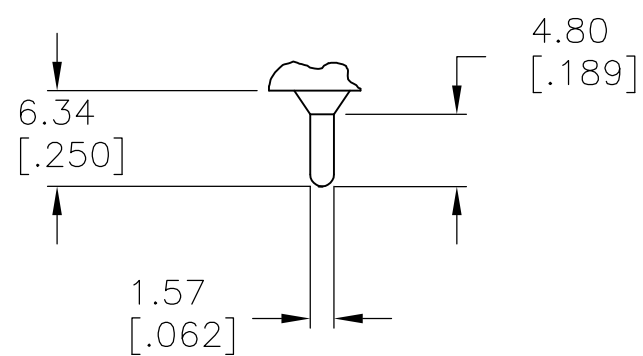
OPTION	DIM A
W	18.69[.736]
W4	26.97[1.062]

**W** **W4** WIRE WRAP



.030 THK.

**Z** WIRE LUG



.030 THK.

**Z3** QUICK CONNECT

A105J1AV2Q004	5-1571986-0
A105J1AQ004	4-1571986-9
NOT ASSIGNED	4-1571986-8
NOT ASSIGNED	4-1571986-7
A103J61ZQ0004	4-1571986-6
A103J51ZQ0004	4-1571986-5
A103J3ZQ004	4-1571986-4
A103J2ZQ004	4-1571986-3
A103J2CB004	4-1571986-2
A103J1ZQ004	4-1571986-1
A103J1V3Q004	4-1571986-0
A103J1AV2Q004	3-1571986-9
A103J1AV2B004	3-1571986-8
NOT ASSIGNED	3-1571986-7
A101J61ZQ0004	3-1571986-6
A101J51ZQ2004	3-1571986-5
A101J51ZQ0004	3-1571986-4
A101J51ZB0004	3-1571986-3
NOT ASSIGNED	3-1571986-2
A101J51Z3Q0004	3-1571986-1
A101J51Z3G0004	3-1571986-0
A101J51CB0004	2-1571986-9
A101J50ZQ004	2-1571986-8
A101J50V3Q204	2-1571986-7
A101J50V3Q004	2-1571986-6
A101J50AV2Q004	2-1571986-5
A101J4ZQ804	2-1571986-4
A101J4ZQ004	2-1571986-3
A101J3ZQ004	2-1571986-2
A101J3V3Q204	2-1571986-1
A101J2ZQ004	2-1571986-0
A101J2ZB904	1-1571986-9
A101J2AV2Q004	1-1571986-8
A101J1ZQ004	1-1571986-7
A101J1ZB004	1-1571986-6
A101J1V3Q004	1-1571986-5
A101J1V3B004	1-1571986-4
A101J1CQ004	1-1571986-3
A101J1CG004	1-1571986-2
A101J1AV2Q004	1-1571986-1
A101J1AV2B004	1-1571986-0
A101J1AQ204	1571986-9
A101J1AQ004	1571986-8
A101J1AB004	1571986-7
NOT ASSIGNED	1571986-6
NOT ASSIGNED	1571986-5
NOT ASSIGNED	1571986-4
NOT ASSIGNED	1571986-3
NOT ASSIGNED	1571986-2
PRELIMINARY	A101J1AB004 1571986-1
ALCO P/N	P/N

A101J1AV2Q004AM9	7-1571986-4
A101J1AV2Q004AM8	7-1571986-3
A101J1AV2Q004AM	7-1571986-2
A108J61ZQ0004	7-1571986-0
A108J51ZQ0004	6-1571986-9
A108J1ZQ004	6-1571986-8
A108J1V3Q004	6-1571986-7
A107J61ZQ0004	6-1571986-6
A107J51ZQ0004	6-1571986-5
A105J61ZQ0004	6-1571986-4
A105J61ZG0004	6-1571986-3
A105J52ZQ2004	6-1571986-2
A105J51ZQ0004	6-1571986-1
A105J4ZQ004	6-1571986-0
A105J3ZQ004	5-1571986-9
A105J3CQ2004	5-1571986-8
A105J3CQ004	5-1571986-7
A105J2ZQ004	5-1571986-6
A105J2AV2Q004	5-1571986-5
A105J2AQ004	5-1571986-4
A105J1ZQ004	5-1571986-3
A105J1V3B004	5-1571986-2
A105J1CQ004	5-1571986-1
ALCO P/N	P/N

THIS DRAWING IS A CONTROLLED DOCUMENT.

DWN	M. BINNER	06JAN05
CHK	M. ZITTO	06JAN05
APVD	M. ZITTO	06JAN05

TE Connectivity

GEMINI A SERIES ROCKER SWITCH SINGLE POLE

SIZE	A2	CAGE CODE	00779	DRAWING NO	C=1571986	RESTRICTED TO	-
SCALE	2:1	SHEET	5 of 5	REV	A10		

CUSTOMER DRAWING