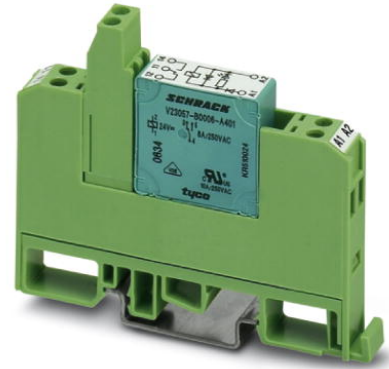


EMG 10-REL/KSR-120/21-LC

Order No.: 2964445

The figure shows the EMG 10-REL/KSR-G 24/21-LC variant




<http://eshop.phoenixcontact.de/phoenix/treeViewClick.do?UID=2964445>

Relay module, with soldered-in miniature switching relay, contact (AgNi): Medium to large loads, 1 PDT, input voltage 120 V AC/DC



Commercial data

GTIN (EAN)	 4 017918 125110
sales group	G031
Pack	10 pcs.
Customs tariff	85364900
Catalog page information	Page 134 (IF-2011)

Product notes

WEEE/RoHS-compliant since:
01/02/2006



<http://www.download.phoenixcontact.com>
Please note that the data given here has been taken from the online catalog. For comprehensive information and data, please refer to the user documentation. The General Terms and Conditions of Use apply to Internet downloads.

Technical data

Coil side

Nominal input voltage U_N	120 V AC/DC
Input voltage range in reference to U_N	0.8 ... 1.1
Nominal input current at U_{IN}	5 mA
Typical response time	7 ms

Typical release time	11 ms
Operating voltage display	Yellow LED
Protective circuit	Bridge rectifier Bridge rectifier
	Surge protection Varistor

Contact side

Contact type	Single contact, 1-PDT
Contact material	AgNi
Maximum switching voltage	250 V AC/DC
Maximum inrush current	8 A
Limiting continuous current	6 A
Interrupting rating (ohmic load) max.	140 W (at 24 V DC)
	53 W (for 48 V DC)
	45 W (for 60 V DC)
	35 W (for 110 V DC)
	55 W (for 220 V DC)
	1500 VA (for 250 V AC)

General data

Width	10.6 mm
Height	75 mm
Depth	62.5 mm
Test voltage relay winding/relay contact	4 kV AC (50 Hz, 1 min.)
Ambient temperature (operation)	-20 °C ... 40 °C
Ambient temperature (storage/transport)	-20 °C ... 70 °C
Operating mode	100% operating factor
Mechanical service life	Approx. 2×10^7 cycles
Standards/regulations	IEC 60664
	EN 50178
	IEC 62103
Rated surge voltage / insulation	Basic insulation
Pollution degree	2
Surge voltage category	III
Mounting position	Any
Assembly instructions	In rows with zero spacing

Connection data

Connection method	Screw connection
Conductor cross section solid min.	0.2 mm ²
Conductor cross section solid max.	4 mm ²
Conductor cross section stranded min.	0.2 mm ²
Conductor cross section stranded max.	2.5 mm ²
Conductor cross section AWG/kcmil min.	24
Conductor cross section AWG/kcmil max	12
Stripping length	8 mm
Screw thread	M3

Certificates / Approvals



Certification

CUL, GOST, UL

Accessories

Item	Designation	Description
------	-------------	-------------

Marking

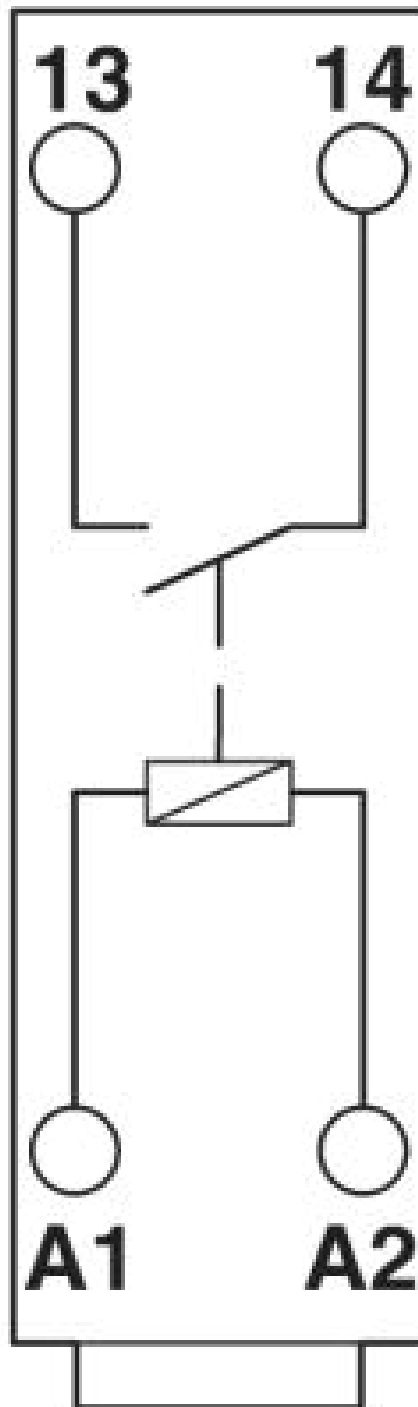
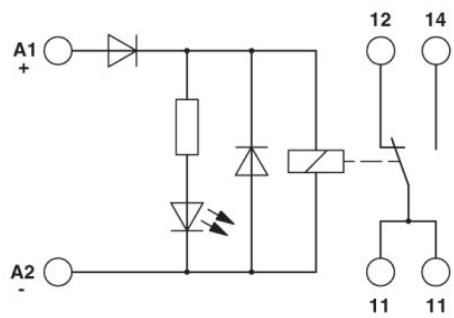
2947585	EMG-SGKS 10	Equipment marker, narrow
---------	-------------	--------------------------

Diagrams/Drawings

Connection diagram



Circuit diagram



Address

PHOENIX CONTACT Inc., USA
586 Fulling Mill Road
Middletown, PA 17057, USA
Phone (800) 888-7388
Fax (717) 944-1625
<http://www.phoenixcon.com>



© 2011 Phoenix Contact
Technical modifications reserved;