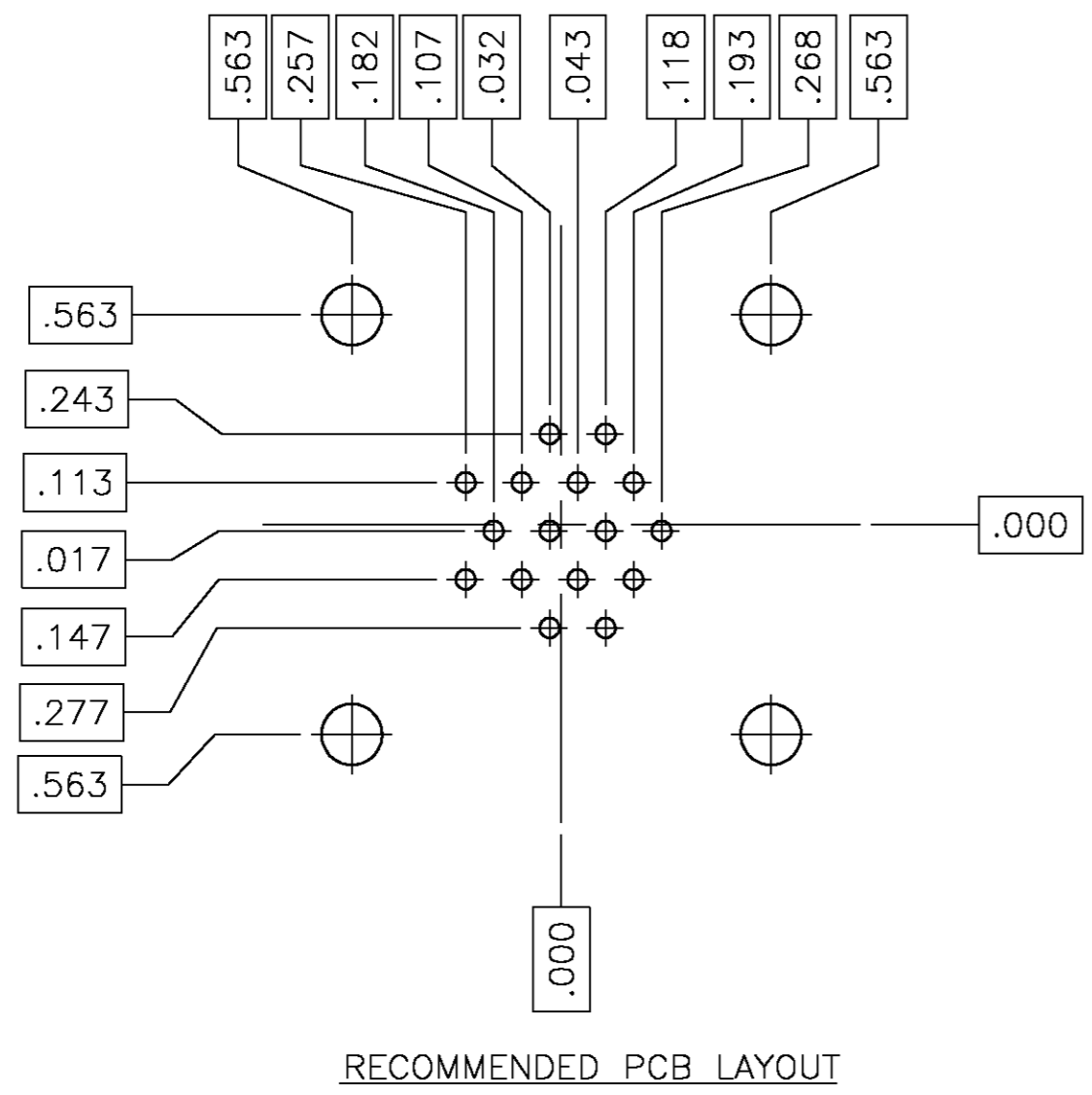
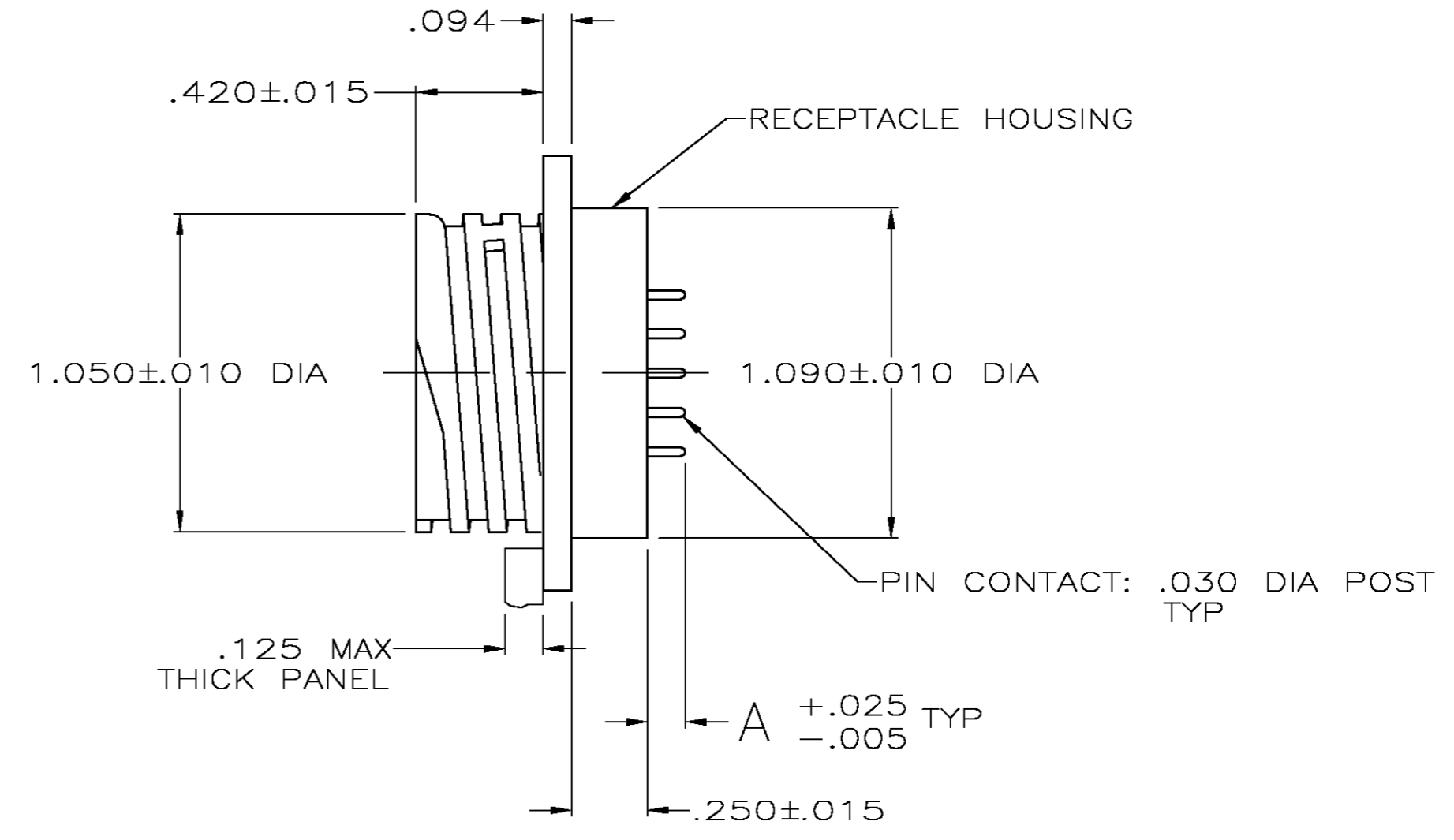
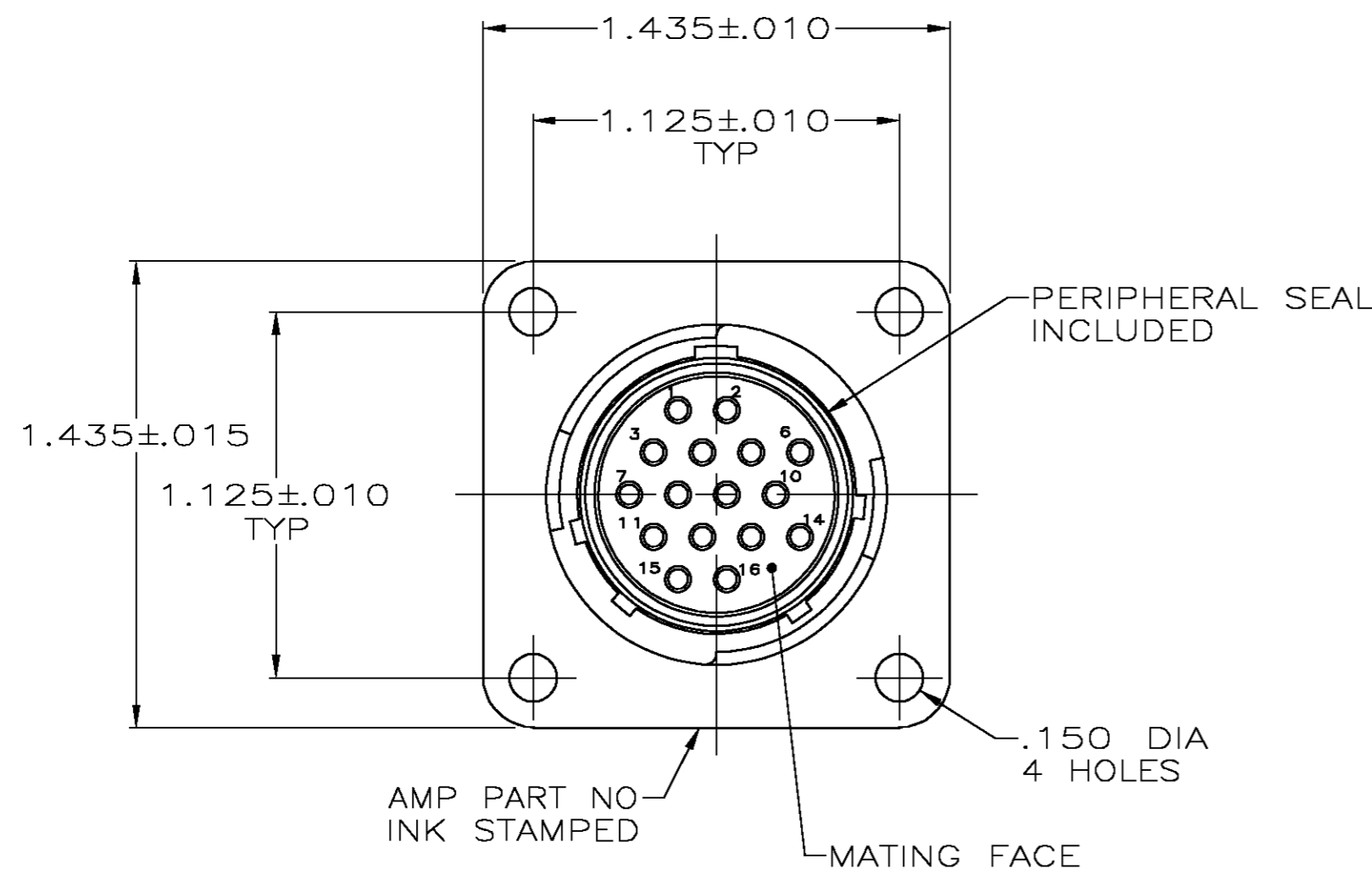


THIS DRAWING IS UNPUBLISHED. RELEASED FOR PUBLICATION
 © COPYRIGHT BY TYCO ELECTRONICS CORPORATION. ALL RIGHTS RESERVED.

LOC		DIST		REVISIONS			
P	LTR	DESCRIPTION	DATE	DWN	APVD		
FT	0						
F		REVISED PER 0G3B-0147-03	5/23/03	SS	SH		



PRELIMINARY	.175	4	207292-4
	.175	3	207292-3
	.125	4	207292-2
	.125	3	207292-1
A		FINISH	PART NUMBER

- 1 NYLON, UL 94V-0 RATED, BLACK.
- 2 BRASS.
- 3 .000100 MIN TIN PER MIL-T-10727 OVER NICKEL FLASH PER QQ-N-290.
- 4 .000030 MIN GOLD PER MIL-G-45204 OVER .000030 MIN NICKEL PER QQ-N-290.

THIS DRAWING IS A CONTROLLED DOCUMENT.

DIMENSIONS: INCHES	TOLERANCES UNLESS OTHERWISE SPECIFIED: 0 PLC ± - 1 PLC ± - 2 PLC ± - 3 PLC ± .005 4 PLC ± - ANGLES ± -	DWN J GALLUCCI BG 5-22-91 CHK R.STONE 3-4-92	Tyco Electronics Corporation Harrisburg, PA 17105	
MATERIAL RECEIPT HOUSING: 1 PIN CONTACT: 2	FINISH PIN CONTACT: SEE TABLE	APVD -	NAME	RESTRICTED TO
		PRODUCT SPEC -	POSTED RECEPTACLE ASSEMBLY, STD SEX, SERIES 1, 17-16, CPC	
		APPLICATION SPEC -	SIZE A2	CAGE CODE 00779
		WEIGHT -	DRAWING NO C=207292	SCALE 2:1
		CUSTOMER DRAWING		SHEET 1 OF 1

207292

A