

## ST-OE3-230AC/ 24DC/500

This item is no longer available. Should you have any questions, please contact our Sales Team.


Order No.: 2911100

The illustration shows version ST-OE 3- 5 DC/24DC/500



<http://eshop.phoenixcontact.de/phoenix/treeViewClick.do?UID=2911100>

Pluggable input optocoupler, with light indicator and protection circuits in the input and output circuits, input: 230 V AC, output: short-circuit resistant, 12-35 V DC/max. 500 mA, can be plugged on basic termination blocks

| Commercial data          |  |
|--------------------------|--|
| GTIN (EAN)               | <br>4 017918 079536 |
| Note                     | Made-to-order  |
| sales group              | G100   |
| Pack                     | 10 pcs.  |
| Customs tariff           | 85364900   |
| Catalog page information | Page 93 (IF-2005)  |

### Product notes

WEEE/RoHS-compliant since:  
12/13/2006



<http://www.download.phoenixcontact.com>  
Please note that the data given here has been taken from the online catalog. For comprehensive information and data, please refer to the user documentation. The General Terms and Conditions of Use apply to Internet downloads.

## Technical data

### Input data

|  |                                      |
|--|--------------------------------------|
| Nominal input voltage $U_N$                          | 230 V AC $\pm$ 10%                   |
| Switching threshold "0" signal in reference to $U_N$ | $\leq$ 0.4                           |
| Switching threshold "1" signal in reference to $U_N$ | $\geq$ 0.8                           |
| Typical input current at $U_N$                       | 6 mA                                 |
| Typical response time                                | 20 ms                                |
| Typical turn-off time                                | 20 ms                                |
| Status display                                       | Yellow LED                           |
| Type of protection                                   | Protection against polarity reversal |
| Protective circuit/component                         | Polarity protection diode            |
|  | RC element                           |
| Transmission frequency                               | 3 Hz                                 |

### Output data

|  |  |
|--|--|
| Output nominal voltage range                     | 12 V DC ... 35 V DC                        |
| Limiting continuous current                      | 500 mA                                     |
| Current limitation at short-circuits             | 620 mA (continued short-circuit resistant) |
| Voltage drop at max. limiting continuous current | 1.5 V                                      |
| Output circuit                                   | 3-conductor, ground-referenced             |
| Status display                                   | LED red                                    |
| Type of protection                               | Protection against polarity reversal       |
|  | Free running                               |
| Protective circuit/component                     | Polarity protection diode                  |
|  | Damping diode                              |
| Output resistor                                  | Approx. 50 k $\Omega$                      |

### General data

|   |                  |
|---|------------------|
| Width                                   | 20.8 mm          |
| Height                                  | 33 mm            |
| Depth                                   | 66.5 mm          |
| Test voltage input/output               | 2.5 kV AC        |
| Ambient temperature (operation)         | -20 °C ... 60 °C |
| Ambient temperature (storage/transport) | -20 °C ... 70 °C |
| Mounting position                       | Any              |
| Standards/regulations                   | DIN VDE 0110     |

Certificates / Approvals

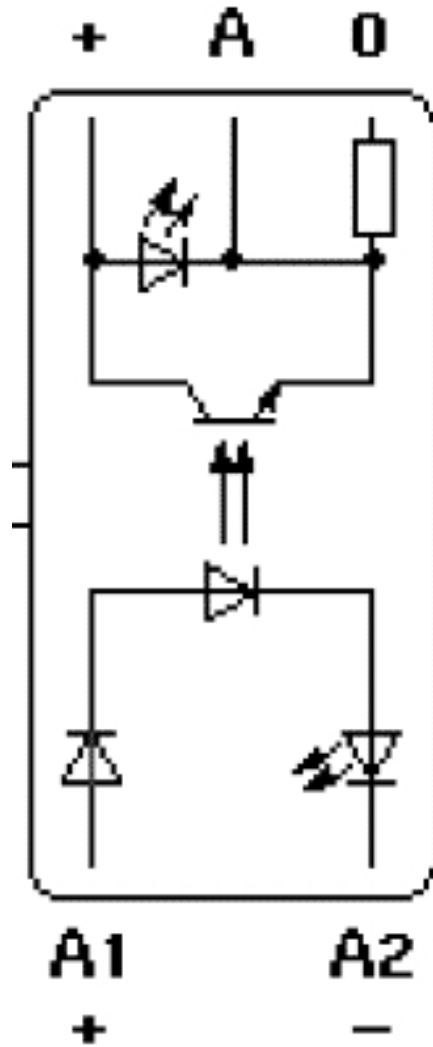
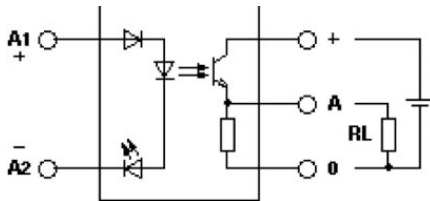


Certification

GOST

Diagrams/Drawings

Circuit diagram



**Address**

PHOENIX CONTACT Inc., USA  
586 Fulling Mill Road  
Middletown, PA 17057, USA  
Phone (800) 888-7388  
Fax (717) 944-1625  
<http://www.phoenixcon.com>



© 2011 Phoenix Contact  
Technical modifications reserved;