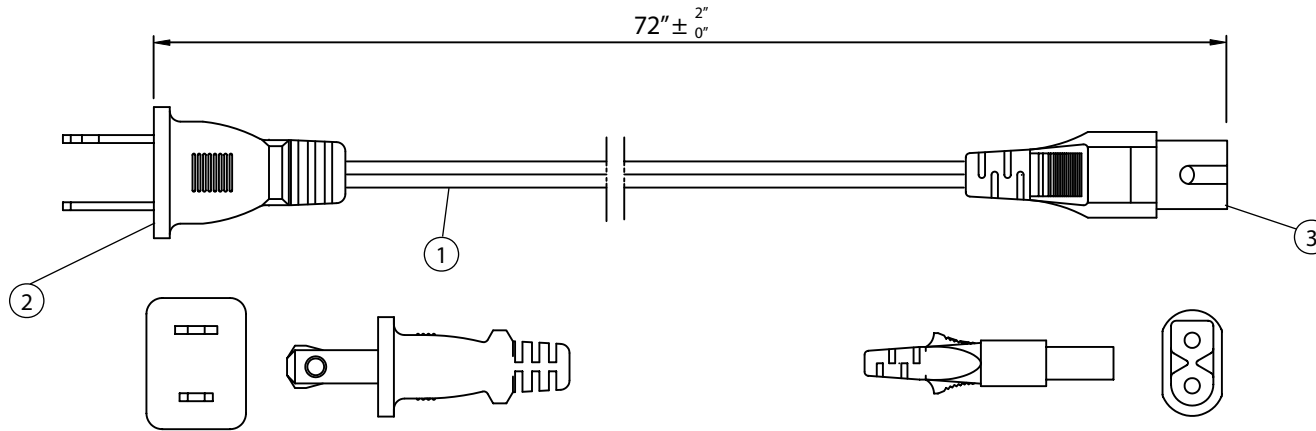


THESE DRAWINGS ARE THE PROPERTY OF QUALTEK ELECTRONICS AND NOT TO BE REPRODUCED FOR OR COMMUNICATED TO A THIRD PARTY WITHOUT THE EXPRESS WRITTEN PERMISSION OF AN OFFICER OF QUALTEK ELECTRONICS.

| REVISION | | | |
|----------|-------------|------|----------|
| REV. | DESCRIPTION | DATE | APPROVED |
| | | | |
| | | | |
| | | | |



CONTROLLED

NOTES:

1. CORDAGE: SPT-2, 18AWG / 2C, UNSHIELDED, NA COLOR CODE, TEMP. RATING: 105°C, RATING: 125V 7A, JACKET COLOR: BLACK
2. PLUG: NEMA 1-15P POLARIZED
3. CONNECTOR: IEC 60320 C7 POLARIZED
4. APPROVALS: UL, cUL
5. ROHS COMPLIANT

| Dim range (mm) | | Tolerance +/- (mm) | | Qualtek Electronics Corp. PPC DIVISION | | |
|----------------|--|--------------------|--|---|----------------|-----------------|
| 0-1 | | 0.15 | | Part Number: 223082-01 RoHS Compliant | | |
| 1-6 | | 0.20 | | Description: POWER CORD | | |
| 6-18 | | 0.30 | | UNIT: in | | |
| 18-50 | | 0.50 | | | | |
| 50-120 | | 0.70 | | Drawn / Date | Checked / Date | Approved / Date |
| 120-250 | | 0.90 | | R.Nuti 02-20-09 | 02-20-09 | LY / 02-20-09 |
| 250-500 | | 1.20 | | | | |

AMEYA360

Components Supply Platform

Authorized Distribution Brand :



Website :

Welcome to visit www.ameya360.com

Contact Us :

➤ Address :

401 Building No.5, JiuGe Business Center, Lane 2301, Yishan Rd
Minhang District, Shanghai , China

➤ Sales :

Direct +86 (21) 6401-6692

Email amall@ameya360.com

QQ 800077892

Skype [ameyasales1](#) [ameyasales2](#)

➤ Customer Service :

Email service@ameya360.com

➤ Partnership :

Tel +86 (21) 64016692-8333

Email mkt@ameya360.com