

Signal conditioner - MINI MCR-SL-SHUNT-UI-NC - 2810780

Please be informed that the data shown in this PDF Document is generated from our Online Catalog. Please find the complete data in the user's documentation. Our General Terms of Use for Downloads are valid (<http://phoenixcontact.com/download>)




MCR 3-way isolating amplifier, with configurable input/output, for electrical isolation and conversion of analog signals in the mV range, single-pos. as well as 2-pos. with screw connection, pre-configured

Why buy this product

- ✓ Power supply possible via the foot element (TBUS)
- ✓ Ideal for converting signals for shunt measurements
- ✓ Low power consumption
- ✓ Highly-compact isolating amplifier for electrical isolation, conversion, amplification, and filtering of mV signals to create standard analog signals
- ✓ Up to 280 signal combinations can be configured using DIP switches
- ✓ 3-way isolation



Key Commercial Data

Packing unit	1 pc
GTIN	 4 046356 305341
Weight per Piece (excluding packing)	74.43 g
Custom tariff number	85437090
Country of origin	Germany

Technical data

Note

Utilization restriction	EMC: class A product, see manufacturer's declaration in the download area
-------------------------	---

Dimensions

Width	6.2 mm
Height	93.1 mm
Depth	102.5 mm

Ambient conditions

Signal conditioner - MINI MCR-SL-SHUNT-UI-NC - 2810780

Technical data

Ambient conditions

Ambient temperature (operation)	-20 °C ... 65 °C
Ambient temperature (storage/transport)	-40 °C ... 85 °C
Maximum altitude	≤ 2000 m
Degree of protection	IP20

Input data

Number of inputs	1
Configurable/programmable	Yes, unconfigured
Voltage input signal	-50 mV ... 50 mV
	-60 mV ... 60 mV
	-75 mV ... 75 mV
	-80 mV ... 80 mV
	-100 mV ... 100 mV
	-120 mV ... 120 mV
	-150 mV ... 150 mV
	-200 mV ... 200 mV
	-240 mV ... 240 mV
	-300 mV ... 300 mV
	-500 mV ... 500 mV
	-600 mV ... 600 mV
	-750 mV ... 750 mV
	-800 mV ... 800 mV
	-1 V ... 1 V
	-1.2 V ... 1.2 V
	-1.5 V ... 1.5 V
	-2 V ... 2 V
	-2.4 V ... 2.4 V
	-3 V ... 3 V
	0 mV ... 50 mV
	0 mV ... 60 mV
	0 mV ... 75 mV
	0 mV ... 80 mV
	0 mV ... 100 mV
	0 mV ... 120 mV
	0 mV ... 150 mV
	0 mV ... 200 mV
	0 mV ... 240 mV
	0 mV ... 300 mV
	0 mV ... 500 mV
	0 mV ... 600 mV
	0 mV ... 750 mV

Signal conditioner - MINI MCR-SL-SHUNT-UI-NC - 2810780

Technical data

Input data

	0 mV ... 800 mV
	0 V ... 1 V
	0 V ... 1.2 V
	0 V ... 1.5 V
	0 V ... 2 V
	0 V ... 2.4 V
	0 V ... 3 V
Max. input voltage	approx. 3 V DC
Input resistance of voltage input	approx. 10 kΩ

Output data

Number of outputs	1
Configurable/programmable	Yes, unconfigured
Voltage output signal	0 V ... 10 V
	2 V ... 10 V
	0 V ... 5 V
	1 V ... 5 V
	-10 V ... 10 V (The bi-polar output can be used only for bi-polar input signals.)
	-5 V ... 5 V (The bi-polar output can be used only for bi-polar input signals.)
Current output signal	0 mA ... 20 mA
	4 mA ... 20 mA
Load/output load voltage output	≥ 10 kΩ
Load/output load current output	< 500 Ω (at 20 mA)

Power supply

Nominal supply voltage	24 V DC
Supply voltage range	19.2 V DC ... 30 V DC
Max. current consumption	< 25 mA
Power consumption	< 450 mW (Current output)

Connection data

Connection method	Screw connection
Conductor cross section solid min.	0.2 mm ²
Conductor cross section solid max.	2.5 mm ²
Conductor cross section AWG min.	26
Conductor cross section AWG max.	12
Conductor cross section flexible min.	0.2 mm ²
Conductor cross section flexible max.	2.5 mm ²
Stripping length	12 mm
Screw thread	M3
Connection method	2-wire

Signal conditioner - MINI MCR-SL-SHUNT-UI-NC - 2810780

Technical data

General

No. of channels	1
Maximum transmission error	≤ 0.2 %
	< 0.4 % (Without adjustment)
Maximum temperature coefficient	< 0.01 %/K
Temperature coefficient, typical	< 0.002 %/K
Limit frequency (3 dB)	100 Hz / 30 Hz switchable
Step response (10-90%)	3.5 ms (At 100 Hz)
Electrical isolation	Basic insulation according to EN 61010
Overvoltage category	II
Degree of pollution	2
Rated insulation voltage	50 V AC/DC
Test voltage, input/output/supply	1.5 kV (50 Hz, 1 min.)
Electromagnetic compatibility	Conformance with EMC Directive 2004/108/EC
Noise emission	EN 61000-6-4
Noise immunity	EN 61000-6-2 When being exposed to interference, there may be minimal deviations.
Color	green
Housing material	PBT
Mounting position	any
Assembly instructions	The T connector can be used to bridge the supply voltage. It can be snapped onto a 35 mm DIN rail according to EN 60715.
Conformance	CE-compliant
ATEX	# II 3 G Ex nA IIC T4 Gc X
UL, USA / Canada	UL 508 Recognized
	Class I, Div. 2, Groups A, B, C, D T5 applied for
GL	GL EMC 2 D

EMC data

Designation	Electromagnetic RF field
Standards/regulations	EN 61000-4-3
Typical deviation from the measuring range final value	6 %
Designation	Fast transients (burst)
Standards/regulations	EN 61000-4-4
Typical deviation from the measuring range final value	6 %
Designation	Conducted interferences
Standards/regulations	EN 61000-4-6
Typical deviation from the measuring range final value	6 %

Standards and Regulations

Electromagnetic compatibility	Conformance with EMC Directive 2004/108/EC
Noise emission	EN 61000-6-4
Connection in acc. with standard	CUL

Signal conditioner - MINI MCR-SL-SHUNT-UI-NC - 2810780

Technical data

Standards and Regulations

Designation	Electromagnetic RF field
Standards/regulations	EN 61000-4-3
	EN 61000-4-4
Designation	Conducted interferences
Standards/regulations	EN 61000-4-6
Electrical isolation	Basic insulation according to EN 61010
Conformance	CE-compliant
ATEX	# II 3 G Ex nA IIC T4 Gc X
UL, USA / Canada	UL 508 Recognized
	Class I, Div. 2, Groups A, B, C, D T5 applied for
GL	GL EMC 2 D

Classifications

eCl@ss

eCl@ss 4.0	27210120
eCl@ss 4.1	27210120
eCl@ss 5.0	27210120
eCl@ss 5.1	27210120
eCl@ss 6.0	27210120
eCl@ss 7.0	27210120
eCl@ss 8.0	27210120

ETIM

ETIM 2.0	EC001485
ETIM 3.0	EC001485
ETIM 4.0	EC001485
ETIM 5.0	EC002653

UNSPSC

UNSPSC 6.01	30211506
UNSPSC 7.0901	39121008
UNSPSC 11	39121008
UNSPSC 12.01	39121008
UNSPSC 13.2	39121008

Approvals

Approvals

Signal conditioner - MINI MCR-SL-SHUNT-UI-NC - 2810780

Approvals

Approvals


UL Recognized / cUL Recognized / GL / EAC / cULus Recognized


Ex Approvals

ATEX

Approvals submitted


Approval details

UL Recognized 

cUL Recognized 

GL

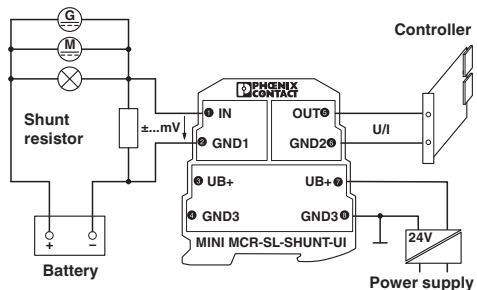
EAC

cULus Recognized 

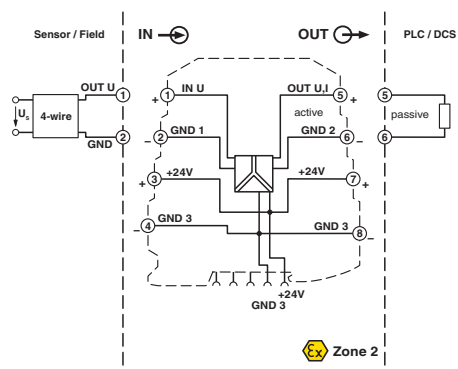
Drawings

Signal conditioner - MINI MCR-SL-SHUNT-UI-NC - 2810780

Application drawing



Block diagram



Monitoring of loading and unloading currents

Dimensional drawing

