

ST-OE3- 24DC/ 48DC/100


Order No.: 2911058

The illustration shows version ST-OV 3- 5 DC/ 48 DC/100



<http://eshop.phoenixcontact.de/phoenix/treeViewClick.do?UID=2911058>

Pluggable input optocoupler, with light indicator and protection circuits in the input and output circuits, input: 24 V DC, output: 8 - 48 V DC/ max. 100 mA, can be plugged on basic termination blocks

Commercial data	
GTIN (EAN)	 4 017918 079482
sales group	G100
Pack	10 pcs.
Customs tariff	85364190
Catalog page information	Page 93 (IF-2002)

Product notes

WEEE/RoHS-compliant since:
01/02/2006



<http://www.download.phoenixcontact.com>
Please note that the data given here has been taken from the online catalog. For comprehensive information and data, please refer to the user documentation. The General Terms and Conditions of Use apply to Internet downloads.

Technical data	
Input data	
Nominal input voltage U_N	24 V DC \pm 10%

Switching threshold "0" signal in reference to U_N	≤ 0.4
Switching threshold "1" signal in reference to U_N	≥ 0.8
Typical input current at U_N	9 mA
Typical response time	50 μ s
Typical turn-off time	100 μ s
Status display	Yellow LED
Type of protection	Protection against polarity reversal
	Surge protection
Protective circuit/component	Polarity protection diode
Transmission frequency	300 Hz

Output data

Output nominal voltage range	8 V DC ... 48 V DC
Limiting continuous current	100 mA
Voltage drop at max. limiting continuous current	1.2 V
Output circuit	2-conductor floating, 3-conductor ground-referenced
Type of protection	Protection against polarity reversal
	Free running
Protective circuit/component	Polarity protection diode
	Damping diode
Output resistor	Approx. 22 k Ω (for 3-wire connection)

General data

Width	20.8 mm
Height	33 mm
Depth	66.5 mm
Test voltage input/output	2.5 kV AC
Ambient temperature (operation)	-20 °C ... 60 °C
Ambient temperature (storage/transport)	-20 °C ... 70 °C
Mounting position	Any
Standards/regulations	IEC 60664
	IEC 60664 A
	DIN VDE 0110

Certificates / Approvals

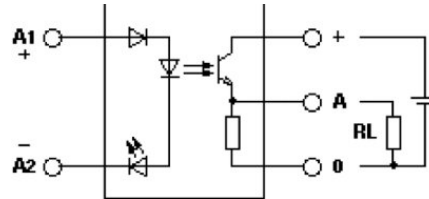
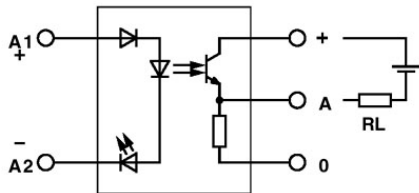


Certification

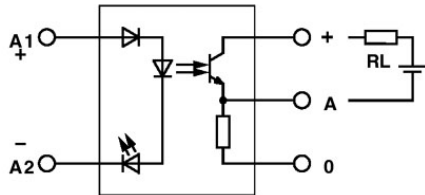
GOST

Diagrams/Drawings

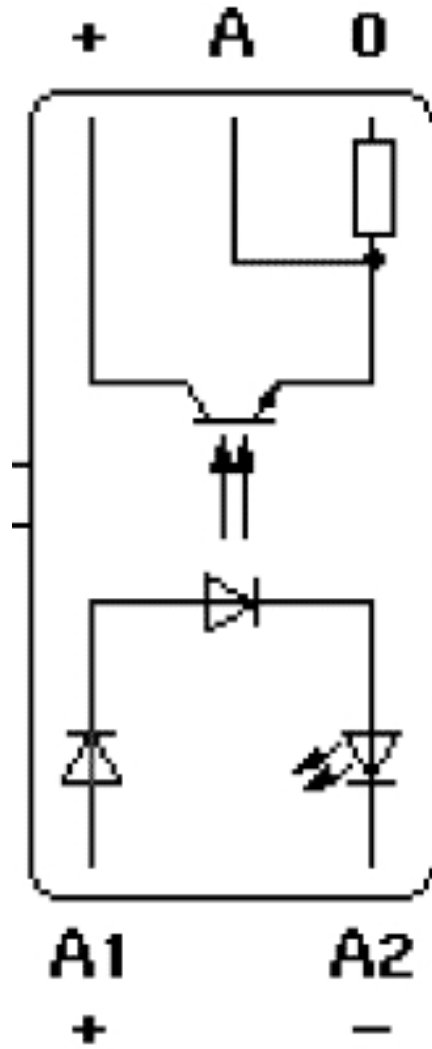
Circuit diagram



Output: 2-wire, floating, plus switching



Output: 2-wire, floating, minus switching



Address

PHOENIX CONTACT Inc., USA
586 Fulling Mill Road
Middletown, PA 17057, USA
Phone (800) 888-7388
Fax (717) 944-1625
<http://www.phoenixcon.com>



© 2011 Phoenix Contact
Technical modifications reserved;