

## ST-OE3-220DC/ 24DC/500

This item is no longer available. Should you have any questions, please contact our Sales Team.


Order No.: 2911168

The illustration shows version ST-OE 3- 5 DC/24DC/500



<http://eshop.phoenixcontact.de/phoenix/treeViewClick.do?UID=2911168>

Pluggable input optocoupler, with light indicator and protection circuits in the input and output circuits, input: 220 V DC, output: short-circuit resistant, 12-35 V DC/max. 500 mA, can be plugged on basic termination blocks

Commercial data	
GTIN (EAN)	 4 017918 079581
Note	Made-to-order
sales group	G100
Pack	10 pcs.
Customs tariff	85364900
Catalog page information	Page 93 (IF-2005)

#### Product notes

WEEE/RoHS-compliant since:  
09/05/2006



<http://www.download.phoenixcontact.com>  
Please note that the data given here has been taken from the online catalog. For comprehensive information and data, please refer to the user documentation. The General Terms and Conditions of Use apply to Internet downloads.

## Technical data

### Input data

Nominal input voltage $U_N$	220 V DC $\pm$ 10%
Switching threshold "0" signal in reference to $U_N$	$\leq$ 0.4
Switching threshold "1" signal in reference to $U_N$	$\geq$ 0.8
Typical input current at $U_N$	8 mA
Typical response time	50 $\mu$ s
Typical turn-off time	200 $\mu$ s
Status display	Yellow LED
Type of protection	Protection against polarity reversal
Protective circuit/component	Polarity protection diode
	RC element
Transmission frequency	300 Hz

### Output data

Output nominal voltage range	12 V DC ... 35 V DC
Limiting continuous current	500 mA
Current limitation at short-circuits	620 mA (continued short-circuit resistant)
Voltage drop at max. limiting continuous current	1.5 V
Output circuit	3-conductor, ground-referenced
Status display	LED red
Type of protection	Protection against polarity reversal
	Free running
Protective circuit/component	Polarity protection diode
	Damping diode
Output resistor	Approx. 50 k $\Omega$

### General data

Width	20.8 mm
Height	33 mm
Depth	66.5 mm
Test voltage input/output	2.5 kV AC
Ambient temperature (operation)	-20 °C ... 60 °C
Ambient temperature (storage/transport)	-20 °C ... 70 °C
Mounting position	Any
Standards/regulations	DIN VDE 0110

Certificates / Approvals

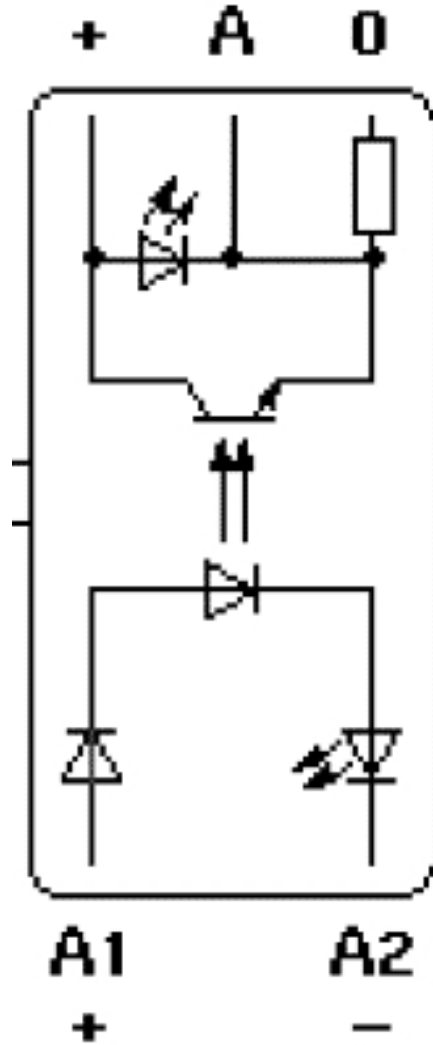
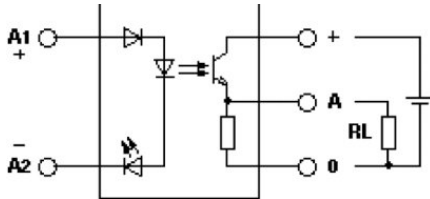


Certification

GOST

Diagrams/Drawings

Circuit diagram



**Address**

PHOENIX CONTACT Inc., USA  
586 Fulling Mill Road  
Middletown, PA 17057, USA  
Phone (800) 888-7388  
Fax (717) 944-1625  
<http://www.phoenixcon.com>



© 2011 Phoenix Contact  
Technical modifications reserved;