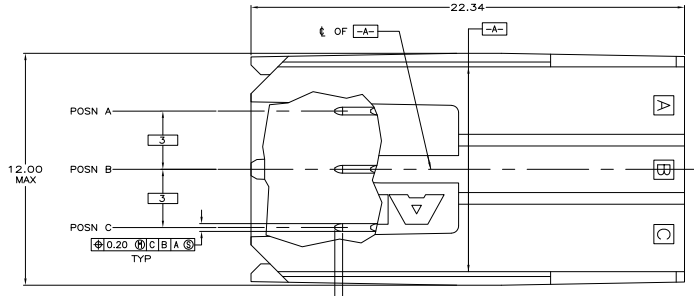
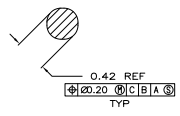
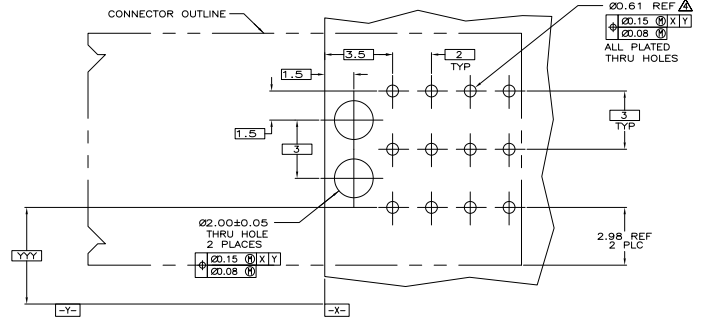
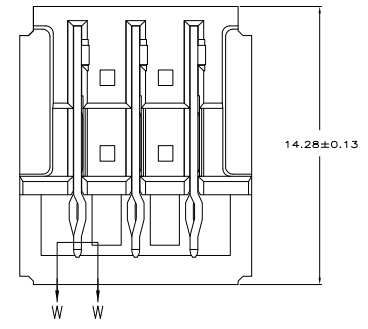
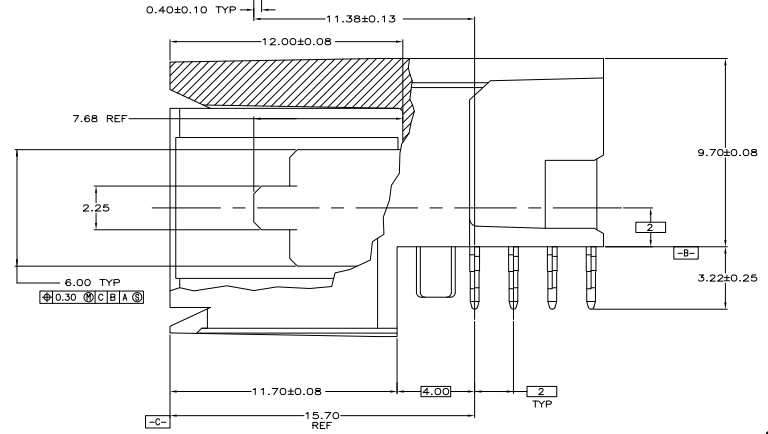
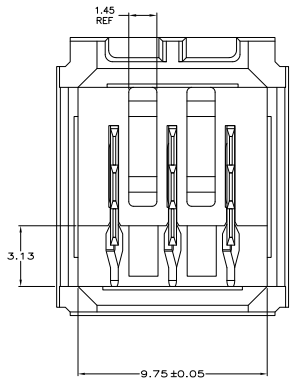


REV	DATE	DESCRIPTION	BY	CHK	APP
AD	00				
E		REVISED PER EDD-11-00046			



- △ MATERIAL: HOUSING: POLYESTER, COLOR: GREY, UL 94V-0. CONTACT: PHOSPHOR BRONZE.
- △ FINISH: CONTACT MATING AREA: 1.27µm MIN GOLD OR 0.08µm MIN GOLD OVER 0.75µm MIN PALLADIUM-NICKEL ACTION PIN AREA: 0.5µm MIN TIN LEAD PLATE, ALL OVER 1.27µm MIN NICKEL UNDERPLATE.
- △ FINISH: CONTACT LUBRICATION WITH BELLGORE APPROVED LUBRICANT, TECHNICAL REFERENCE: TR-NWT-001217 ISSUE 1, SEPT 1992.
- △ REFERENCE APPLICATION SPEC 114-1103 FOR RECOMMENDED PLATED THRU HOLE DIAMETER AND PLATING THICKNESSES.
- 5. CURRENT RATING 10A/CONTACT PER PRODUCT SPEC 108-1651.



SECTION W-W
SCALE 40:1

223977-1
PART NUMBER

THIS DRAWING IS A CONTROLLED DOCUMENT.		APPROVED BY: J. PATTERSON	DATE: 08/29/92	DESIGNED BY: J. PATTERSON	DATE: 08/29/92	REVISED BY: J. PATTERSON	DATE: 08/29/92	REVISED BY: J. PATTERSON	DATE: 08/29/92
DESCRIPTION: ASSEMBLY, RIGHT ANGLE HEADER, W/ RETENTION PEGS, UNIVERSAL POWER MODULE	SIZE: A1	DATE: 08/29/92	DRAWING NO: 223977	REVISED TO: 1	REVISED BY: J. PATTERSON	DATE: 08/29/92	REVISED BY: J. PATTERSON	DATE: 08/29/92	REVISED BY: J. PATTERSON
CUSTOMER DRAWING		SCALE: 10:1		SHEET: 1		TOTAL SHEETS: 1		REVISED BY: J. PATTERSON	

RECOMMENDED PCB HOLE LAYOUT