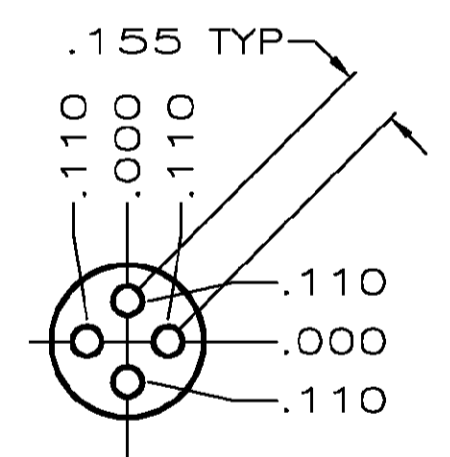
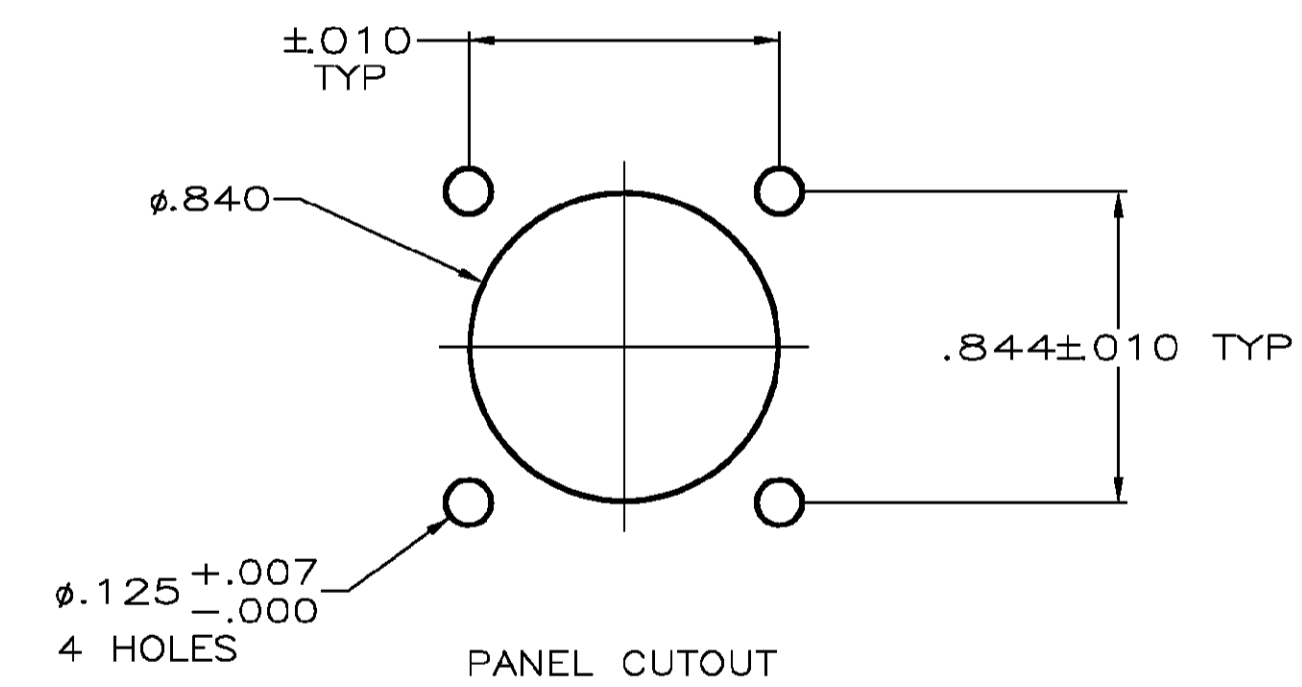
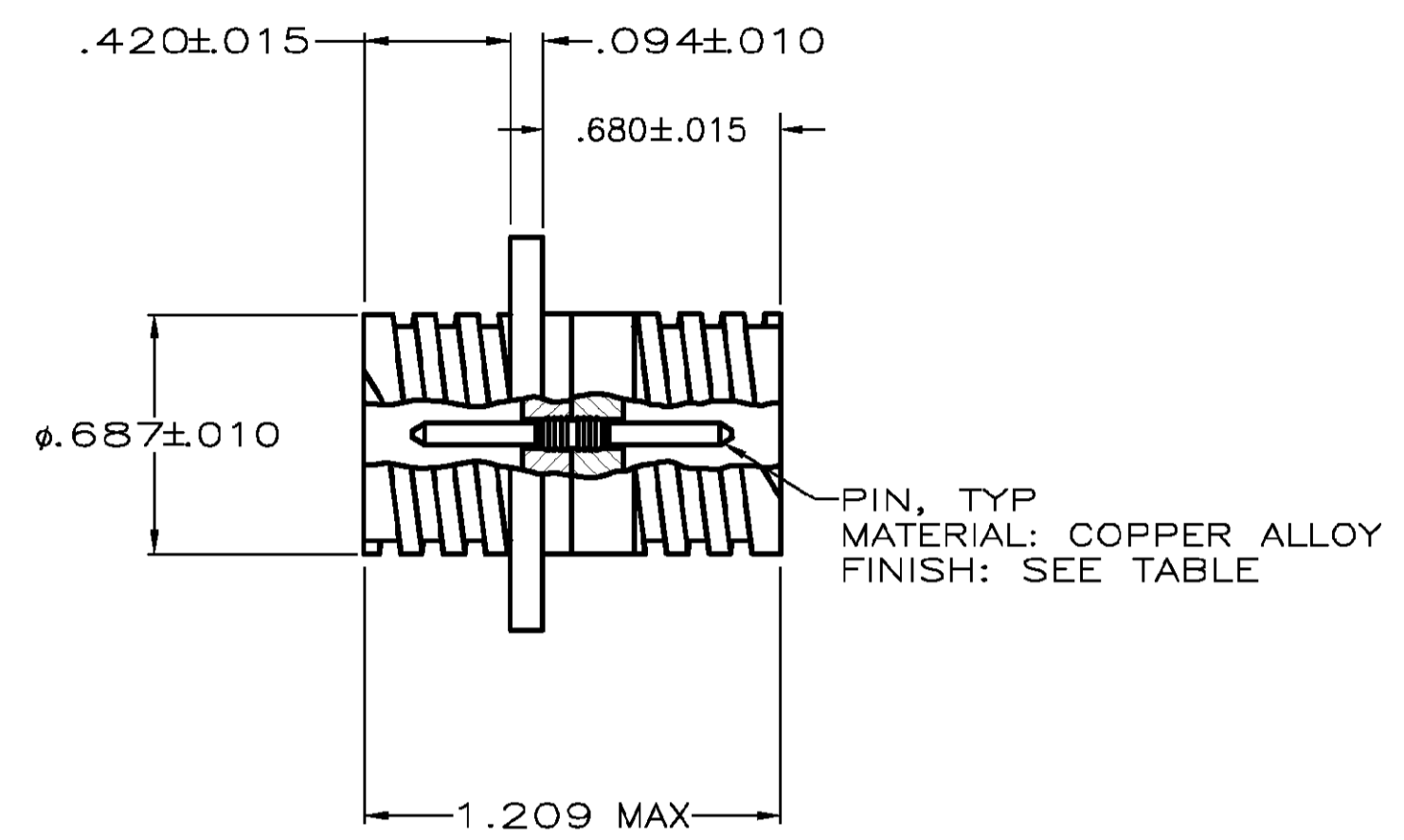
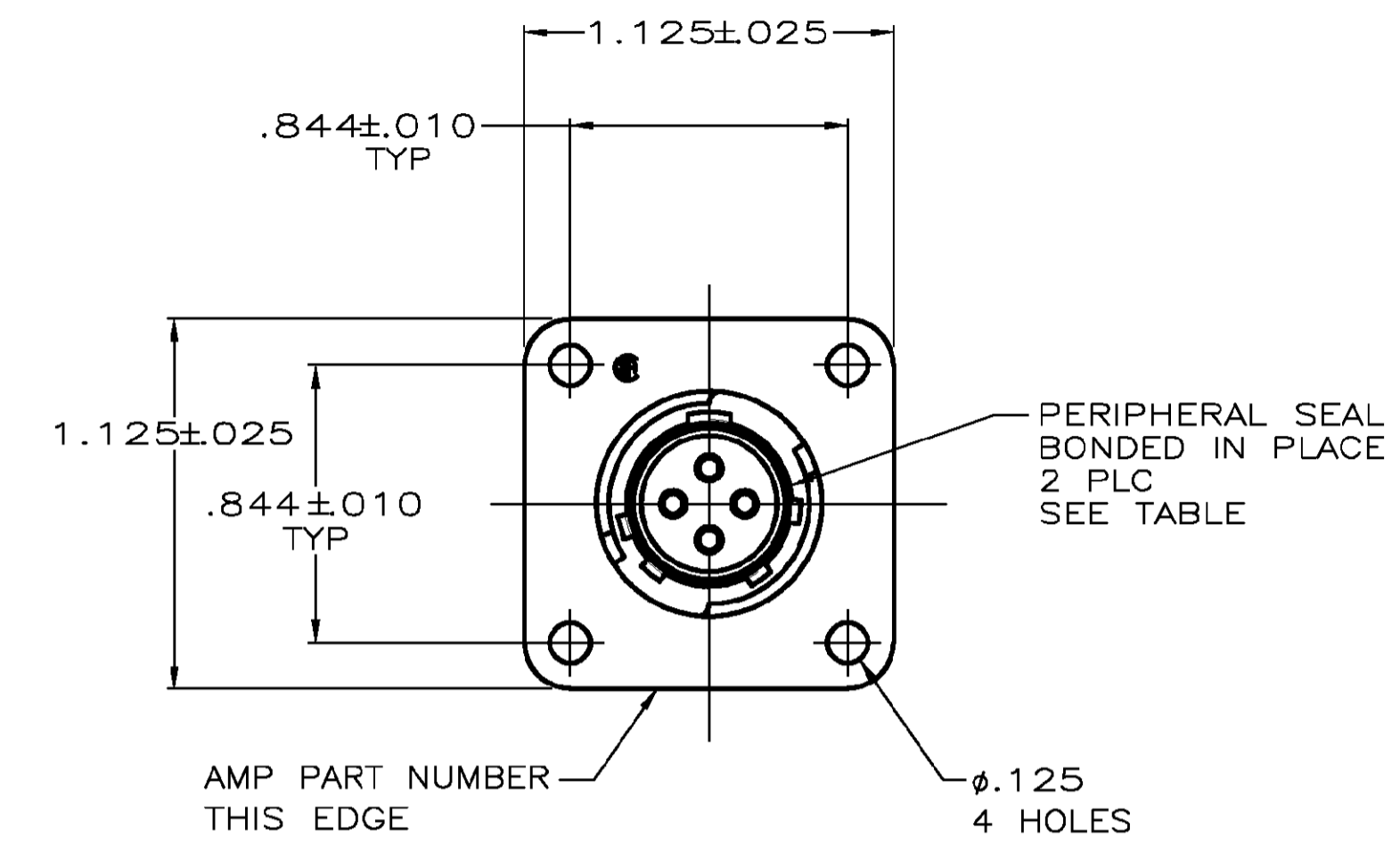


LOC	DIST	REVISIONS			
P	LTR	DESCRIPTION	DATE	DWN	APVD
FT	0				
	F	REVISED PER 0G3B-0436-02	8/12/02	SS	SH



YES(2)	1	206518-5
NO	1	206518-2
NO	2	206518-1
PERIPHERAL SEAL	CONTACT FINISH	PART NUMBER

OBSOLETE

- NOTES:
- 1 GOLD PER MIL-G-45204 OVER NICKEL PER QQ-N-290.
 - 2 TIN PER MIL-T-10727.
 - 3 ACCOMODATES 4 SIZE 16 PIN CONTACTS, PERMANENTLY INSTALLED.

THIS DRAWING IS A CONTROLLED DOCUMENT.		DWN J.GALLUCCI BG 5-22-91	Tyco Electronics Corporation Harrisburg, PA 17105	
DIMENSIONS: INCHES		CHK W.G.LENKER 4-13-92	NAME RECEPTACLE ASSEMBLY, FEED THRU, SERIES 1, 11-4, CPC	
TOLERANCES UNLESS OTHERWISE SPECIFIED:		APVD -	RESTRICTED TO	
0 PLC ± -		PRODUCT SPEC 108-10024	-	
1 PLC ± -		APPLICATION SPEC -	SIZE A2	CAGE CODE 00779
2 PLC ± -		WEIGHT -	DRAWING NO 206518	REV F
3 PLC ± .005		FINISH SEE TABLE	SCALE 2:1	SHEET 1 OF 1
4 PLC ± -		CUSTOMER DRAWING		
ANGLES ± -				
MATERIAL RCPT: THERMOPLASTIC COLOR: BLACK				

206518

- [Home](#)
- [Part Number Search](#)
- [Document Search](#)
- [Text Search](#)
- [Alternate Part Search](#)
- [Multiple Part Comparison](#)
- [Alphabetical Search](#)
- [Brand Search](#)
- [Industry Product Search](#)
- [Product Type Search](#)
- [Product Family Search](#)
- [Competitor Cross Reference](#)
- [Lead Free Solutions](#)
- [Help/Glossary](#)

Current Brand View	View All Tyco Electronics Brands Click to activate links to all other products
AMP	

CPC (Circular Plastic) & Metal-Shell CPC Connectors

CPC Connectors

AMP **206518-5** **Active** [Active](#)

(Tyco Electronics P/N: 206518-5)

[Search for Parts](#) | [Previous](#) [1](#) [2](#) [3](#) [4](#) [5](#) [6](#) **[7]** [Next](#) [N](#)

Document links for this part cannot be displayed. Your browser does not support inline frames or is currently configured not to display inline frames. Inline frames are supported in both Internet Explorer 5 and Netscape 6, as well as all later versions of these browsers.

Related Part Information		
General Information	eCommerce	Related Part Information
General Info Sales Info Assembly Subcontractors	Pricing Product Availability	

Searchable Features:	
Brand:	AMP
Product Type:	Connector
No. of Positions:	4
Gender:	Receptacle
Pin/Socket:	Pin
Preloaded:	Yes
Terminate To:	Feed-Thru
Shell Size:	11
Shell Type:	All Plastic
Shell Thread Size:	5/8 - 24 UNEF-2A
Product Series:	Series 1
Reverse Numbering:	No
Mount Style:	Mounting Holes
Sealed:	Yes

Other Properties:	
Panel Attachment Method:	Square Flange
Mounting Hole Diameter (mm [in]):	3.18 [.125]
Housing Material:	Thermoplastic
Housing Color:	Black
Housing Material Flammability Rating:	UL 94V-0
Contact Material:	Copper Alloy

VDE Tested:	No
Seal Type:	Peripheral
Contact Mating Area Plating:	Gold over Nickel
Standard or Reverse Gender:	Standard

[Copyright](#) and [Privacy Statement](#)

Visit [Tyco International, Ltd.](#)

[Products](#) | [Catalog](#) | [Brands](#) | [Industries](#) | [Commerce](#) | [Supplier](#) | [Customer Service](#) | [About](#) | [Home](#)