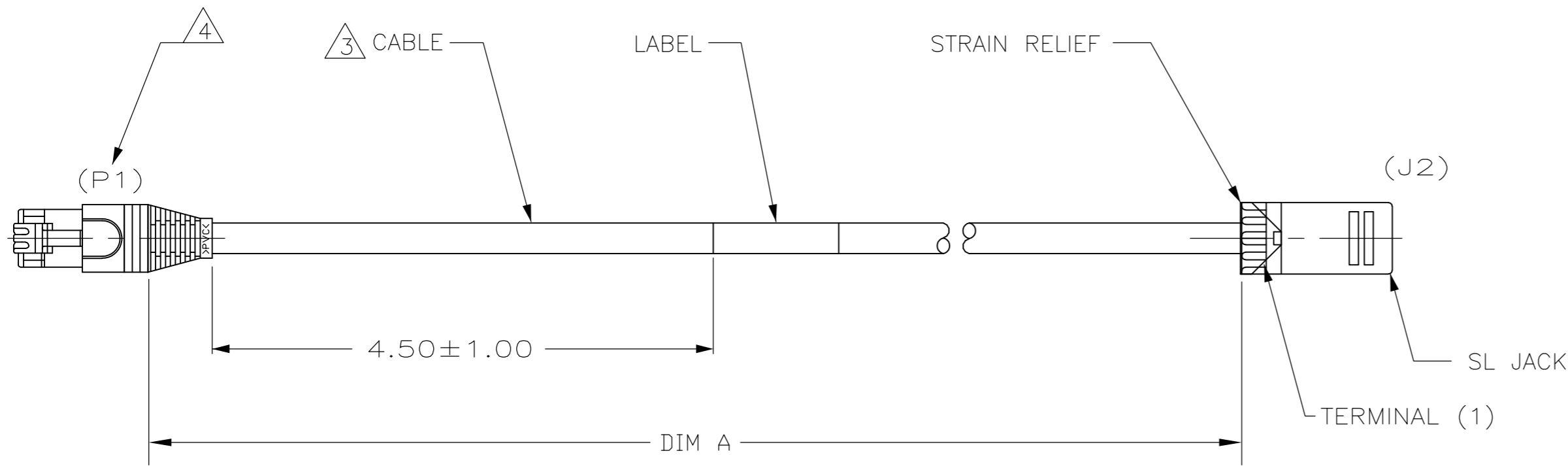
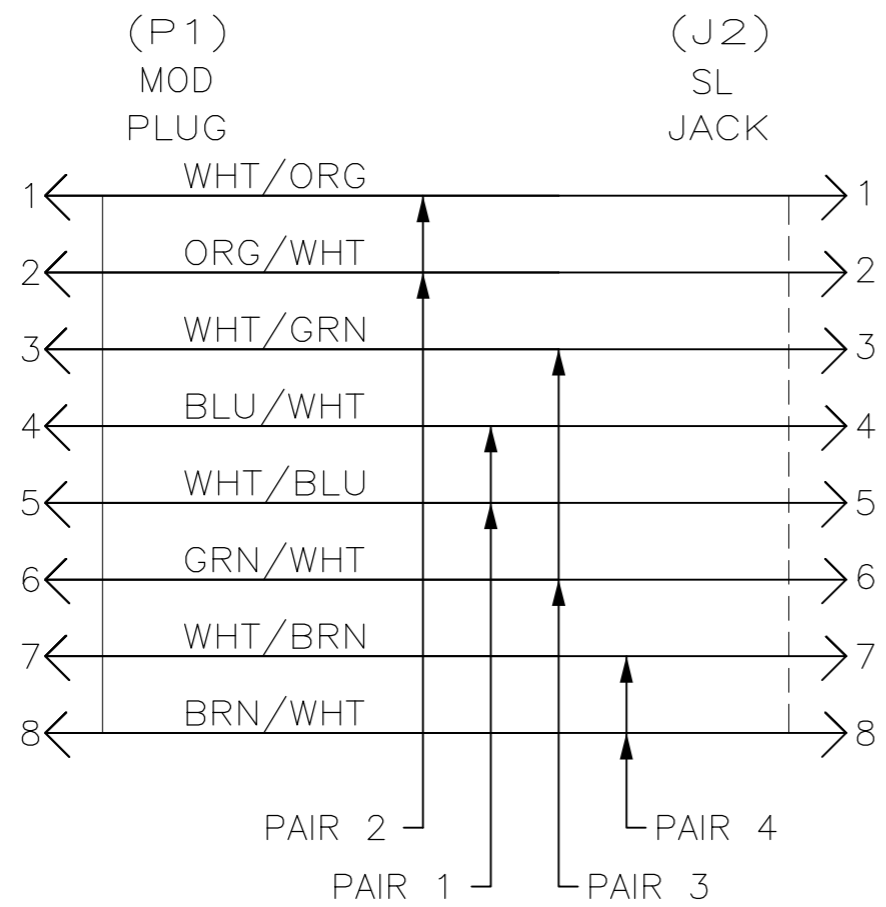


THIS DRAWING IS UNPUBLISHED. RELEASED FOR PUBLICATION
 © COPYRIGHT BY TYCO ELECTRONICS CORPORATION. ALL RIGHTS RESERVED.

LOC	DIST	REVISIONS			
P	LTR	DESCRIPTION	DATE	DWN	APVD
EH	00				
	F	REV-ECO-06-019788	20SEP06	GG	CC
	G	REV ECO-07-022327	04OCT07	LH	JG



- ONE CABLE PACKAGED IN A CLEAR POLY BAG.
- DIMENSIONS ARE MAXIMUM UNLESS OTHERWISE SPECIFIED.
- CABLE: UNSHIELDED 23 AWG, 4 TWISTED PAIRS, SOLID CONDUCTORS, 100 OHMS, CAT 6 RISER RATED.
- DESIGNATIONS IN PARENTHESES () ARE FOR REFERENCE ONLY.
- FOR LENGTHS LESS THAN 40 FEET TIA/EIA 568-B.2 CHANNEL LIMITS SHALL BE USED FOR TESTING SYSTEM PERFORMANCE.



WIRING DIAGRAM
T568B

FEET, REF	DIM A	PART NO
10	120.00-124.00	219597-5
50	600.00-604.00	219597-4
40	480.00-484.00	219597-3
30	360.00-364.00	219597-2
20	240.00-244.00	219597-1

OBSOLETE

THIS DRAWING IS A CONTROLLED DOCUMENT.		DWN L. HALL 01FEB2002	Tyco Electronics Corporation Harrisburg, Pa., 17105-3608	
DIMENSIONS: INCHES	TOLERANCES UNLESS OTHERWISE SPECIFIED:	CHK M. DELPHIAS 01FEB02	NAME CABLE, ASSY, MOD PLUG/SL JACK, GRAY, 568B	
	0 PLC ±	APVD M. DELPHIAS 01FEB02	SIZE A2	CAGE CODE 00779
	1 PLC ± -	PRODUCT SPEC	DRAWING NO C=219597	RESTRICTED TO
	2 PLC ± -	APPLICATION SPEC	SCALE NTS	SHEET 1 OF 1
	3 PLC ± -	WEIGHT	REV G	
	4 PLC ± -	CUSTOMER DRAWING		
	ANGLES ±			
	FINISH			