



Copyright FCI



FCIconnect.com



1 | 2

3 |

4

PRODUCT NUMBER
20020109-XXXXXXLF

20020109 - □ □ □ □ A 0 □ L F

PITCH

G: 5.00 mm
H: 5.08 mm

POLES

02: 2 POLES
03: 3 POLES
04: 4 POLES

24: 24 POLES

LF : DENOTED RoHS COMPATIBLE

1 : STANDARD PRODUCT
W/ BOX PACKING

HOUSING CODE

| PROPERTY TABLE | | |
|---------------------------|--------------------|--------------------|
| FCI SERIES NAME | 06-500 | 06-508 |
| PITCH (mm) | 5.00 | 5.08 |
| VOLTAGE RATING (VAC) | 300 | 300 |
| CURRENT RATING (A) | 12 | 12 |
| WITHSTANDING VOLTAGE (kV) | 1.6 | 1.6 |
| OPERATING TEMP. (°C) | -40~+115 | -40~+115 |
| SOLDERING TEMP. (°C) | 250±10 (5 sec.) | 250±10 (5 sec.) |
| POLES AVAILABLE | 02~24 | 02~24 |
| SAFETY CERTIFICATE | | |

| CODE | COLOR | AVAILABILITY |
|------|-------------------|-----------------|
| 1 | GREEN(RAL 6018/T) | STANDARD |
| 2 | BLACK | ON REQUEST ONLY |
| 3 | GREY(RAL 7004/P) | ON REQUEST ONLY |
| 4 | BLUE(RAL 5015/A) | ON REQUEST ONLY |

NOTES:

- MATERIALS
1-1 HOUSING: THERMALPLASTIC RESIN, UL 94V-0 RATED.
1-2 TERMINAL: COPPER ALLOY, TIN PLATED.
- PRODUCT SPECIFICATION REFER TO FCI GS-12-625.
- PRODUCT PACKING SPECIFICATION REFER TO FCI GS-14-1394.
- FCI, SAFETY CERTIFICATE LOGO AND SERIES NAME TO BE SHOWN ON PRODUCT SURFACE.
- THE PRODUCTS WHERE THE PART NUMBER END IN "LF" MEET THE EUROPEAN UNION DIRECTIVE AND OTHER COUNTRY REGULATIONS AS DESCRIBED IN GS-22-008.
- RECOMENDED SOLDERING PROCESS BY WAVE SOLDER.

| mat'l. code | | surface | tolerance | projection | product family |
|-------------|----------------|------------|-------------|---------------------------------------|-------------------------------|
| | | ASME Y14.5 | ASME Y14.5 | | TERMINAL BLOCK |
| ltr | ecn no | dr | date | tolerances unless otherwise specified | title |
| A | T10-0099 | WL | 070110 | X.±0.5 | TERMINAL BLOCK |
| B | T10-0116 | WL | 072210 | X.X±0.3 | PLUGGABLE SOCKET, RIGHT ANGLE |
| C | T10-0161 | WL | 101210 | X.±1 | 2 WALLS |
| D | T10-0187 | WL | 121410 | X.XX±0.1 | scale |
| | | dr | WENDY CHEN | 062110 | dwg no |
| | | enrg | JASON HSU | 062110 | sheet 1 of 3 |
| | | chr | GARY HSIEH | 062110 | size |
| | | appd | JOSEPH HSIA | 062110 | 20020109 |
| | | | | | A4 |
| | | | | | type |
| | | | | | CUSTOMER Drawing |
| sheet index | revision sheet | D | D | D | |
| | | 1 | 2 | 3 | |

form: A4mmXLc

1 |

2 |

PDM: Rev:D 3 | STATUS:Released Printed: Dec 22, 2010 4



Copyright FCI



FCIconnect.com

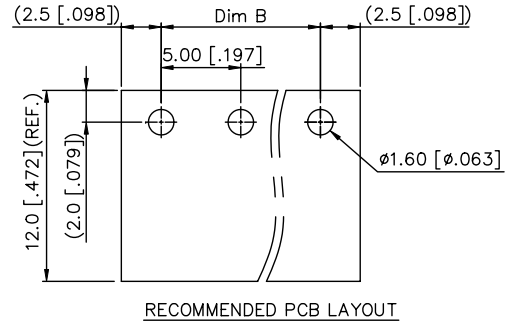
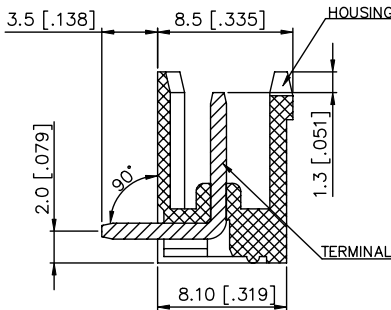
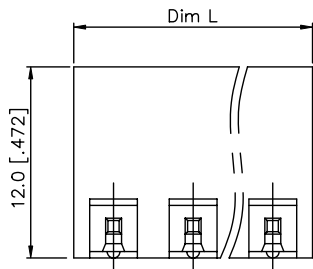
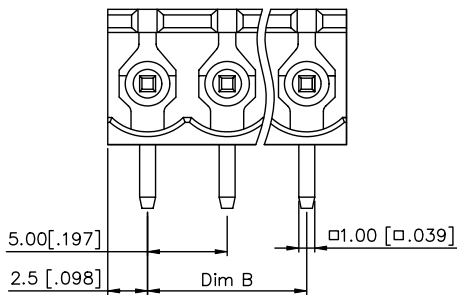


1 | 2

3 |

4

| PRODUCT NUMBER | SERIES NAME | PITCH |
|-------------------|-------------|---------|
| 20020109-GXXXXXLF | 06-500 | 5.00 mm |



| POLE | 2 | 3 | 4 | 5 | 6 | 7 | 8 | |
|-------|-------------|-------------|-------------|--------------|--------------|--------------|--------------|--------------|
| DIM.L | 10.0[.394] | 15.0[.590] | 20.0[.787] | 25.0[.984] | 30.0[1.181] | 35.0[1.377] | 40.0[1.574] | |
| DIM.B | 5.0[.196] | 10.0[.394] | 15.0[.590] | 20.0[.787] | 25.0[.984] | 30.0[1.181] | 35.0[1.377] | |
| Tol. | ±0.15[.006] | | | | | | ±0.25[.010] | |
| POLE | 9 | 10 | 11 | 12 | 13 | 14 | 15 | 16 |
| DIM.L | 45.0[1.771] | 50.0[1.968] | 55.0[2.165] | 60.0[2.362] | 65.0[2.559] | 70.0[2.755] | 75.0[2.952] | 80.0[3.149] |
| DIM.B | 40.0[1.574] | 45.0[1.771] | 50.0[1.968] | 55.0[2.165] | 60.0[2.362] | 65.0[2.559] | 70.0[2.755] | 75.0[2.952] |
| Tol. | ±0.25[.010] | | | | ±0.30[.012] | | | |
| POLE | 17 | 18 | 19 | 20 | 21 | 22 | 23 | 24 |
| DIM.L | 85.0[3.346] | 90.0[3.543] | 95.0[3.74] | 100.0[3.937] | 105.0[4.133] | 110.0[4.330] | 115.0[4.527] | 120.0[4.724] |
| DIM.B | 80.0[3.149] | 85.0[3.346] | 90.0[3.543] | 95.0[3.740] | 100.0[3.937] | 105.0[4.133] | 110.0[4.330] | 115.0[4.527] |
| Tol. | ±0.30[.012] | | | | ±0.40[.016] | | | |

| | | | | |
|--------------------|---------------------------------------|-------------------------|------------|--|
| mat'l. code | surface ASME Y14.5 | tolerance ASME Y14.5 | projection | product family |
| ltr ecn no dr date | tolerances unless otherwise specified | angles | MM [INCH] | TERMINAL BLOCK |
| D | X±0.5 | X.X±0.3 | scale | title |
| | X'±1 | X.XX±0.1 | | TERMINAL BLOCK PLUGGABLE SOCKET, RIGHT ANGLE 2 WALLS |
| | dr WENDY CHEN 062110 | enr JASON HSU 062110 | FCI | dwg no 20020109 |
| | chr GARY HSIEH 062110 | appd JOSEPH HSIA 062110 | | sheet 2 of 3 size A4 |
| sheet index | revision sheet | | | type CUSTOMER Drawing |

form: A4mmXLc

1 |

2 |

PDM: Rev:D 3 | STATUS:Released Printed: Dec 22, 2010 4

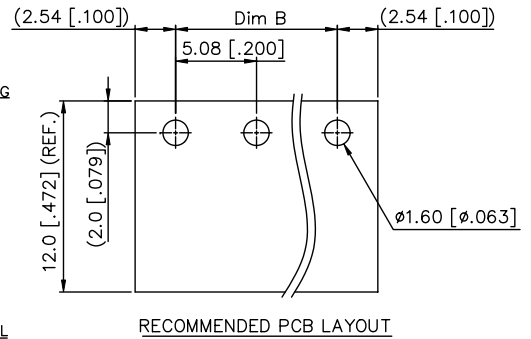
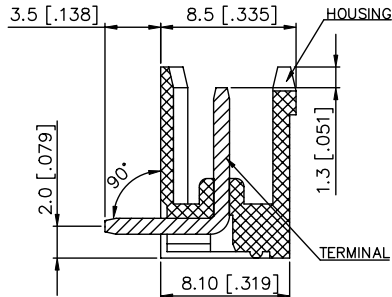
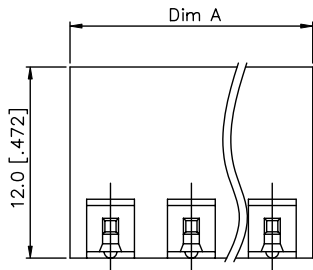
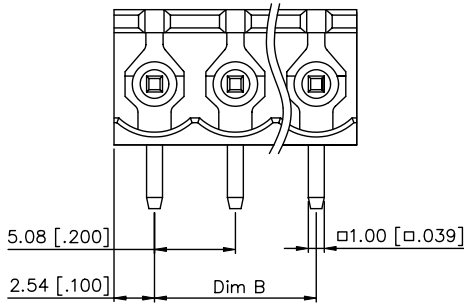


1 | 2

3 |

4

| PRODUCT NUMBER | SERIES NAME | PITCH |
|-------------------|-------------|---------|
| 20020109-HXXXXXLF | 06-508 | 5.08 mm |



| POLE | 2 | 3 | 4 | 5 | 6 | 7 | 8 | |
|------|--------------|--------------|--------------|--------------|---------------|---------------|---------------|---------------|
| A | 10.16[.400] | 15.24[.600] | 20.32[.800] | 25.4[1.000] | 30.48[1.200] | 35.56[1.400] | 40.64[1.600] | |
| B | 5.08[.200] | 10.16[.400] | 15.24[.600] | 20.32[.800] | 25.4[1.000] | 30.48[1.200] | 35.56[1.400] | |
| Tol. | ±0.15[.006] | | | | | | ±0.25[.010] | |
| POLE | 9 | 10 | 11 | 12 | 13 | 14 | 15 | 16 |
| A | 45.72[1.800] | 50.8[2.000] | 55.88[2.200] | 60.96[2.400] | 66.04[2.600] | 71.12[2.800] | 76.2[3.000] | 81.28[3.200] |
| B | 40.64[1.600] | 45.72[1.800] | 50.8[2.000] | 55.88[2.200] | 60.96[2.400] | 66.04[2.600] | 71.12[2.800] | 76.2[3.000] |
| Tol. | ±0.25[.010] | | | | | | ±0.30[.012] | |
| POLE | 17 | 18 | 19 | 20 | 21 | 22 | 23 | 24 |
| A | 86.36[3.400] | 91.44[3.600] | 96.52[3.800] | 101.6[4.000] | 106.68[4.200] | 111.76[4.400] | 116.84[4.600] | 121.92[4.800] |
| B | 81.28[3.200] | 86.36[3.400] | 91.44[3.600] | 96.52[3.800] | 101.6[4.000] | 106.68[4.200] | 111.76[4.400] | 116.84[4.600] |
| Tol. | ±0.30[.012] | | | | | | ±0.40[.016] | |

| | | | | |
|--------------------|---------------------------------------|-------------------------|------------|--|
| mat'l. code | surface ASME Y14.5 | tolerance ASME Y14.5 | projection | product family |
| ltr ecn no dr date | tolerances unless otherwise specified | angles | MM [INCH] | TERMINAL BLOCK |
| D | X±0.5 | X.X±0.3 | scale | title |
| | X'±1 | X.XX±0.1 | | TERMINAL BLOCK PLUGGABLE SOCKET, RIGHT ANGLE 2 WALLS |
| | dr WENDY CHEN 062110 | enr JASON HSU 062110 | FCI | dwg no 20020109 |
| | chr GARY HSIEH 062110 | appd JOSEPH HSIA 062110 | | sheet 3 of 3 size A4 |
| sheet index | revision sheet | | | type CUSTOMER Drawing |

form: A4mmXLc

1 |

2

PDM: Rev:D 3 | STATUS:Released Printed: Dec 22, 2010 4