



Copyright FCI.



FCIconnect.com

1 | 2

3 |

4

PRODUCT NUMBER
20020106-XXXXXXLF

20020106 - □ □ □ □ A 0 □ L F

PITCH
G: 5.00 mm
H: 5.08 mm

POLES
02: 2 POLES
03: 3 POLES
04: 4 POLES
24: 24 POLES

LF : DENOTED RoHS COMPATIBLE

1 : STANDARD PRODUCT
W/ BOX PACKING

PROPERTY TABLE		
FCI SERIES NAME	06-500	06-508
PITCH (mm)	5.00	5.08
VOLTAGE RATING (VAC)	300	300
CURRENT RATING (A)	12	12
WITHSTANDING VOLTAGE (kV)	1.6	1.6
OPERATING TEMP. (°C)	-40~+115	-40~+115
SOLDERING TEMP. (°C)	250±10 (5 sec.)	250±10 (5 sec.)
POLES AVAILABLE	02~24	02~24
SAFETY CERTIFICATE		

HOUSING CODE

CODE	COLOR	AVAILABILITY
1	GREEN(RAL 6018/T)	STANDARD
2	BLACK	ON REQUEST ONLY
3	GREY(RAL 7004/P)	ON REQUEST ONLY
4	BLUE(RAL 5015/A)	ON REQUEST ONLY

NOTES:

- MATERIALS
1-1 HOUSING: THERMALPLASTIC RESIN, UL 94V-0 RATED,
1-2 TERMINAL: COPPER ALLOY, TIN PLATED.
- PRODUCT SPECIFICATION REFER TO FCI GS-12-625.
- PRODUCT PACKING SPECIFICATION REFER TO FCI GS-14-1394.
- FCI, SAFETY CERTIFICATE LOGO AND SERIES NAME TO BE SHOWN ON PRODUCT SURFACE.
- THE PRODUCTS WHERE THE PART NUMBER END IN "LF" MEET THE EUROPEAN UNION DIRECTIVE AND OTHER COUNTRY REGULATIONS AS DESCRIBED IN GS-22-008.
- RECOMENDED SOLDERING PROCESS BY WAVE SOLDER.

mat'l. code		surface	tolerance	projection	product family
		ASME Y14.5	ASME Y14.5		TERMINAL BLOCK
ltr	ecn no	dr	date	tolerances unless otherwise specified	title
A	T10-0099	WL	070110	X.±0.5	TERMINAL BLOCK PLUGGABLE SIGNAL, SOCKET, STRAIGHT 2 WALLS
B	T10-0161	WL	101210	X.X±0.3	
		angles		X.X±0.1	MM
					[INCH]
		dr	WENDY CHEN	062210	scale
		enrg	JASON HSU	062210	FCI
		chr	GARY HSIEH	062210	dwg no
		appd	JOSEPH HSIA	062210	sheet 1 of 3
sheet	revision	B	B	B	size
index	sheet	1	2	3	A4
					type
					CUSTOMER Drawing

form: A4mmXLc

1 |

2 |

PDM: Rev:B 3 | STATUS Released Printed: Oct 17, 2010 4



Copyright FCJ.



FCJconnect.com

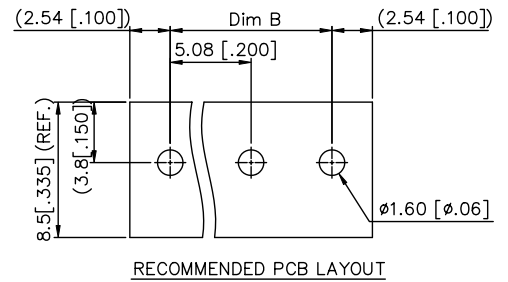
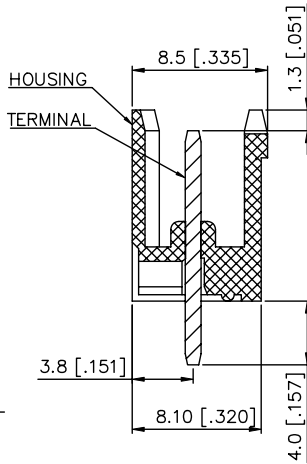
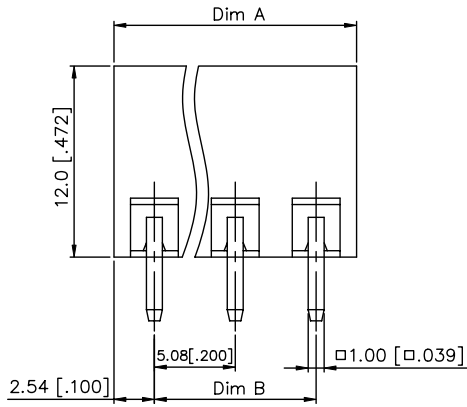
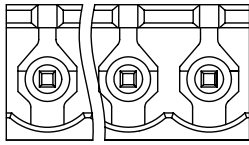


1 | 2

3 |

4

PRODUCT NUMBER	SERIES NAME	PITCH
20020106-HXXXXXL	06-508	5.08 mm



POLE	2	3	4	5	6	7	8	
DIM.A	10.16[.400]	15.24[.600]	20.32[.800]	25.4[1.000]	30.48[1.200]	35.56[1.400]	40.64[1.600]	
DIM.B	5.08[.200]	10.16[.400]	15.24[.600]	20.32[.800]	25.4[1.000]	30.48[1.200]	35.56[1.400]	
Tol.	±0.15[.006]						±0.25[.010]	
POLE	9	10	11	12	13	14	15	16
DIM.A	45.72[1.800]	50.8[2.000]	55.88[2.200]	60.96[2.400]	66.04[2.600]	71.12[2.800]	76.2[3.000]	81.28[3.200]
DIM.B	40.64[1.600]	45.72[1.800]	50.8[2.000]	55.88[2.200]	60.96[2.400]	66.04[2.600]	71.12[2.800]	76.2[3.000]
Tol.	±0.25[.010]				±0.30[.012]			
POLE	17	18	19	20	21	22	23	24
DIM.A	86.36[3.400]	91.44[3.600]	96.52[3.800]	101.6[4.000]	106.68[4.200]	111.76[4.400]	116.84[4.600]	121.92[4.800]
DIM.B	81.28[3.200]	86.36[3.400]	91.44[3.600]	96.52[3.800]	101.6[4.000]	106.68[4.200]	111.76[4.400]	116.84[4.600]
Tol.	±0.30[.012]				±0.40[.016]			

mat'l. code	surface ASME Y14.5	tolerance ASME Y14.5	projection	product family
ltr	ecn	no	dr	date
tolerances unless otherwise specified				title
B	angles	MM	INCH	TERMINAL BLOCK
	X±0.5	X.X±0.3	X.XX±0.1	PLUGGABLE SIGNAL, SOCKET, STRAIGHT
	X'±1"	X.XX±0.1	scale	2 WALLS
	dr	WENDY CHEN	062210	FCJ
	enr	JASON HSU	062210	dwg no
	chr	GARY HSIEH	062210	sheet 3 of 3
	appd	JOSEPH HSIA	062210	size
	sheet	revision	sheet	20020106
	index			A4
				type
				CUSTOMER Drawing

form: A4mmXLc

1 |

2 |

PDM: Rev:B 3 | STATUS Released Printed: Oct 17, 2010 4