

## Solid-state relays - ST-OV3- 24DC/ 60DC/3 - 2903228


Please be informed that the data shown in this PDF Document is generated from our Online Catalog. Please find the complete data in the user's documentation. Our General Terms of Use for Downloads are valid (<http://phoenixcontact.com/download>)



Plug-in power solid-state relay, with LED and protective circuit in input and output circuits, input: 24 V DC, output: 12 - 60 V DC/max. 3 A, can be plugged into basic terminal blocks

The illustration shows version ST-OV  
3- 5 DC/60 DC/3

### Key Commercial Data

Packing unit	1 STK
GTIN	 4 017918 079000
GTIN	4017918079000
Weight per Piece (excluding packing)	58.270 g
Custom tariff number	85364190
Country of origin	Germany

### Technical data

#### Note

Utilization restriction	EMC: class A product, see manufacturer's declaration in the download area
-------------------------	---

#### Dimensions

Width	20.8 mm
Height	33 mm
Depth	66.5 mm

#### Ambient conditions

Ambient temperature (operation)	-20 °C ... 60 °C
Ambient temperature (storage/transport)	-20 °C ... 70 °C

## Solid-state relays - ST-OV3- 24DC/ 60DC/3 - 2903228

### Technical data

#### Input data

Nominal input voltage $U_N$	24 V DC
Input voltage range in reference to $U_N$	0.8 ... 1.2
Input voltage range	19.2 V DC ... 28.8 V DC
Switching threshold "0" signal in reference to $U_N$	$\leq 0.4$
Switching threshold "1" signal in reference to $U_N$	$\geq 0.8$
Typical input current at $U_N$	7 mA
Typical response time	20 $\mu$ s
Typical turn-off time	200 $\mu$ s
Transmission frequency	500 Hz

#### Output data

Output voltage range	12 V DC ... 60 V DC
Limiting continuous current	3 A (see derating curve)
Surge current	5 A (t = 1 s)
Peak offstate voltage	70 V DC (Collector-emitter reverse voltage)
Voltage drop at max. limiting continuous current	1.2 V
Output circuit	2-wire, floating
Type of protection	Reverse polarity protection
	Surge protection
Protective circuit/component	Polarity protection diode

#### General

Test voltage input/output	2.5 kV AC
Mounting position	any
Standards/regulations	IEC 60664
	IEC 60664A
	DIN VDE 0110

#### Standards and Regulations

Standards/regulations	IEC 60664
	IEC 60664A
	DIN VDE 0110

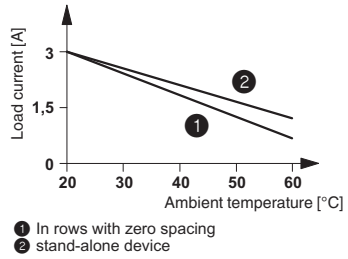
#### Environmental Product Compliance

China RoHS	Environmentally Friendly Use Period = 50
	For details about hazardous substances go to tab "Downloads", Category "Manufacturer's declaration"

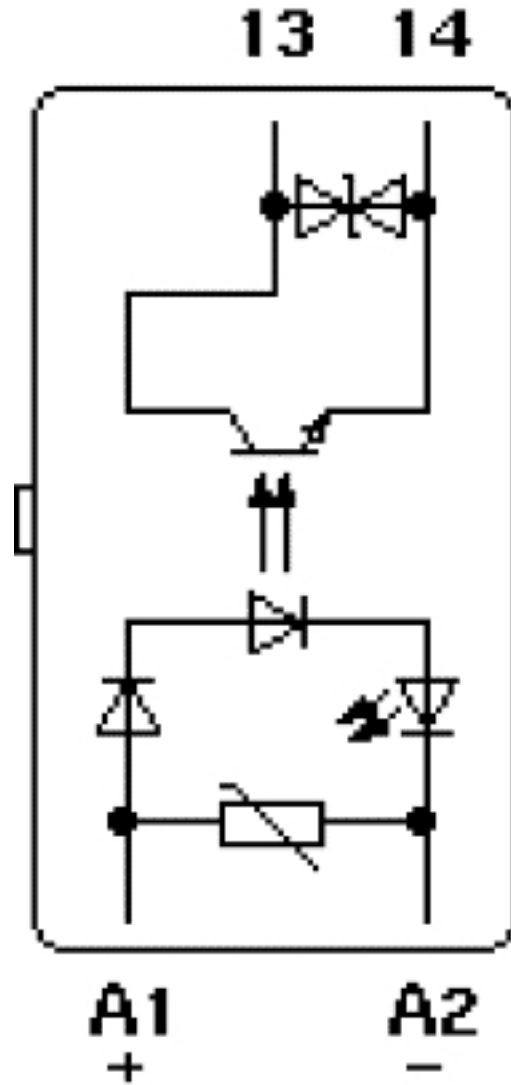
### Drawings

# Solid-state relays - ST-OV3- 24DC/ 60DC/3 - 2903228

Diagram

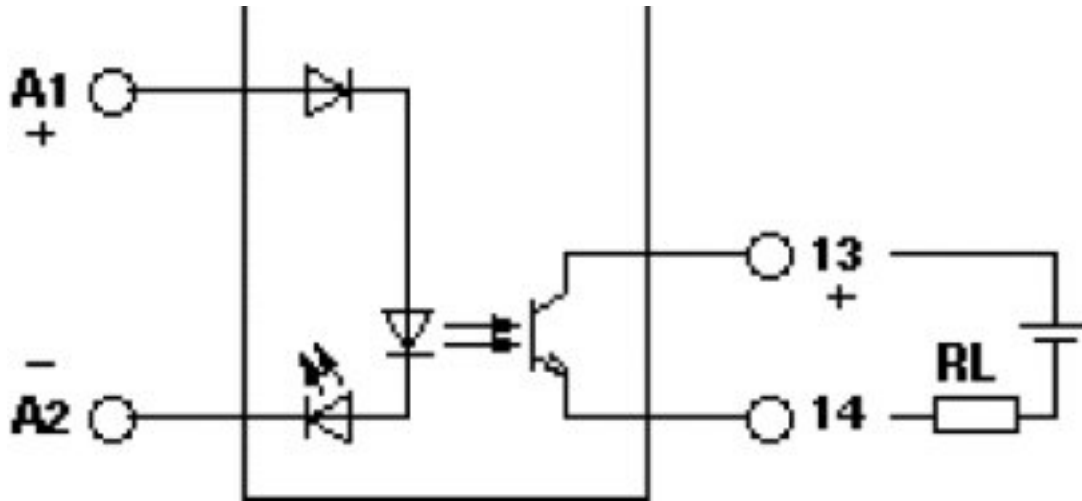


Circuit diagram



## Solid-state relays - ST-OV3- 24DC/ 60DC/3 - 2903228

Circuit diagram



### Classifications

eCl@ss

eCl@ss 5.1	27371001
eCl@ss 6.0	27371604
eCl@ss 7.0	27371604
eCl@ss 8.0	27371604
eCl@ss 9.0	27371604

ETIM

ETIM 2.0	EC001504
ETIM 3.0	EC001504
ETIM 4.0	EC001504
ETIM 5.0	EC001504
ETIM 6.0	EC001504

UNSPSC

UNSPSC 6.01	30211916
UNSPSC 7.0901	39121542
UNSPSC 11	39121542
UNSPSC 12.01	39121542
UNSPSC 13.2	39122326

### Approvals

Approvals

## Solid-state relays - ST-OV3- 24DC/ 60DC/3 - 2903228

### Approvals

Approvals

EAC / EAC


---

Ex Approvals

---

### Approval details

EAC		7500651.22.01.00244
-----	---	---------------------

EAC		EAC-Zulassung
-----	---	---------------

---

# Mouser Electronics

Authorized Distributor

Click to View Pricing, Inventory, Delivery & Lifecycle Information:

[Phoenix Contact:](#)

[2903228](#)