

4

3

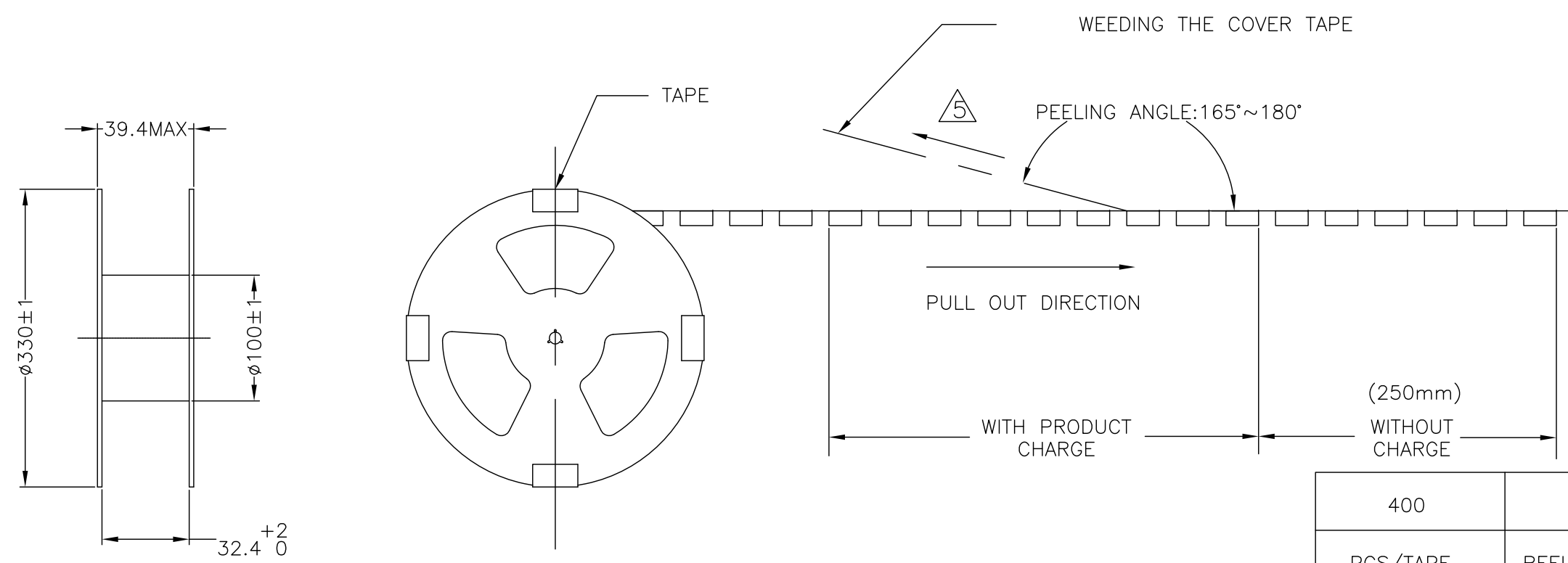
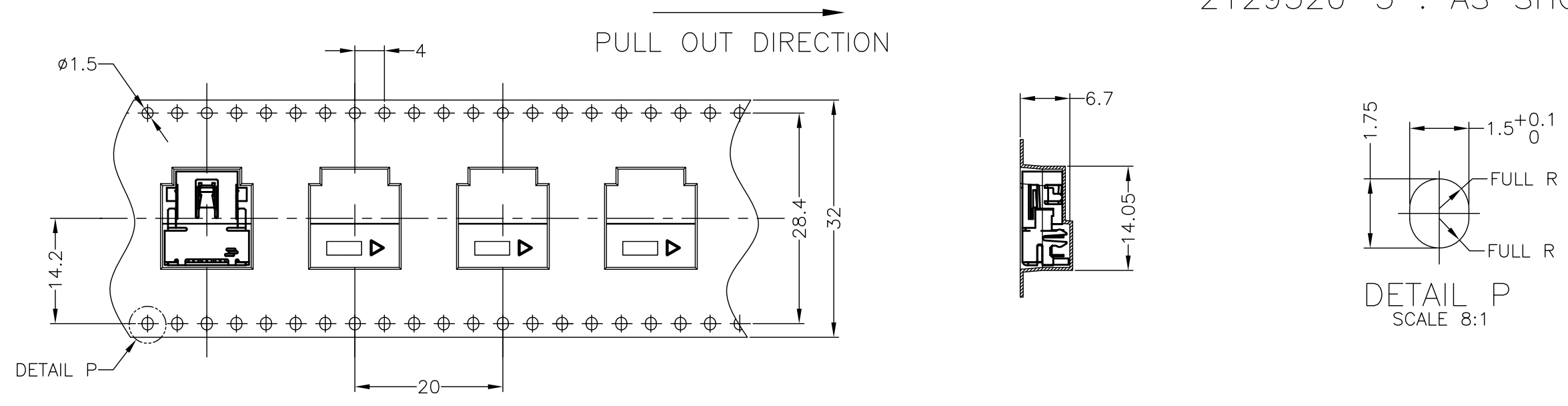
2

1

THIS DRAWING IS UNPUBLISHED. RELEASED FOR PUBLICATION  
 © COPYRIGHT - By - ALL RIGHTS RESERVED.

LOC	DIST	REVISIONS					
DW		P	LTR	DESCRIPTION	DATE	DWN	APVD
		D		REVISED (ECR-13-015305)	30SEP13	J.L	H.K

2129320-3 : AS SHOWN



400	8	3200
PCS/TAPE	REELS/CARTON	TOTAL Q'TY

THIS DRAWING IS A CONTROLLED DOCUMENT.		DWN	V.PENG	02SEP2011	 TE Connectivity
DIMENSIONS: mm		CHK	M.CHAO	02SEP2011	
TOLERANCES UNLESS OTHERWISE SPECIFIED: 0 PLC ± 1 PLC ± 2 PLC ± ±0.25 3 PLC ± 4 PLC ± ANGLES ±3		APVD	H.KODAMA	02SEP2011	
MATERIAL: SEE NOTE 1		FINISH		PRODUCT SPEC	
		APPLICATION SPEC		NAME: MINI DISPLAYPORT RECEPTACLE CONNECTOR 4 ROW TH, REVERSED, OFFSET TYPE	
		WEIGHT		SIZE: A3	CAGE CODE: 00779
		CUSTOMER DRAWING		DRAWING NO: 2129320	
				RESTRICTED TO	
				SCALE: NONE	SHEET: 1 OF 4
				REV: D	

4

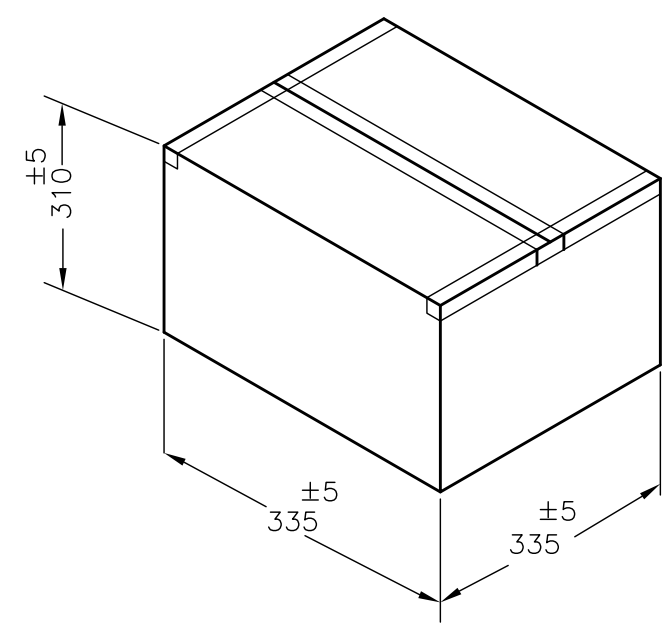
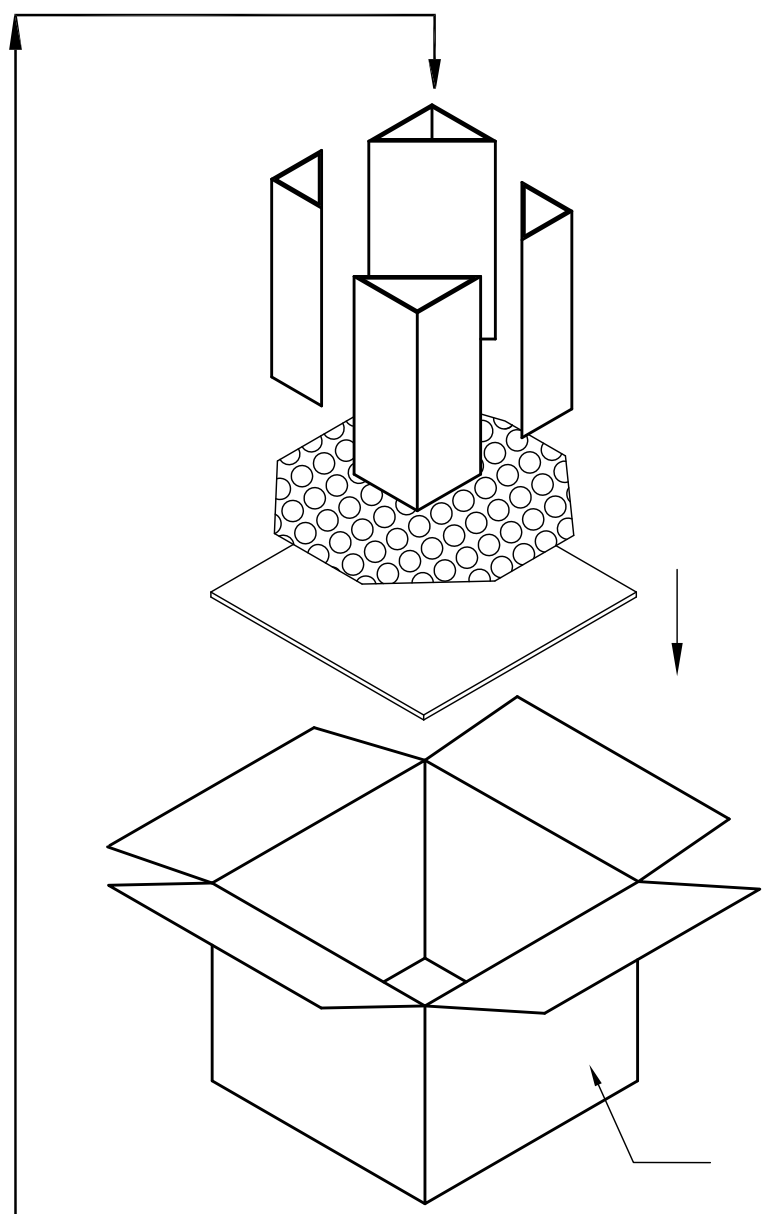
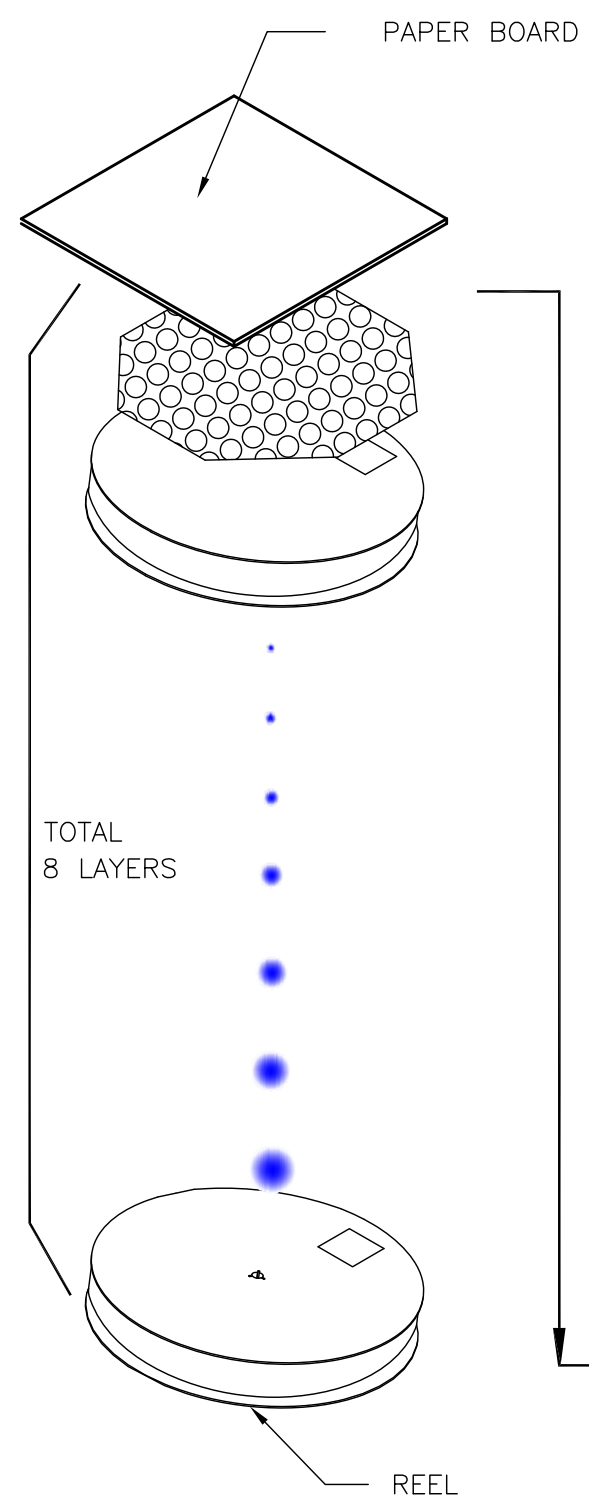
3

2

1

THIS DRAWING IS UNPUBLISHED. RELEASED FOR PUBLICATION - , - .  
 © COPYRIGHT - By - ALL RIGHTS RESERVED.

LOC	DIST	REVISIONS			
P	LTR	DESCRIPTION	DATE	DWN	APVD
DW		SEE SHEET 1	-	-	-



1. PACKING MATERIAL :
  - 1.1 REEL: PS(RoHS) BLUE.
  - 1.2 COVER TAPE: PET,
  - 1.3 SHIPPING CARTON: CORRUGATED FIBER
2. DIMENSION :
  - 2.1 REEL: W=44.5, DIA=330
  - 2.2 SHIPPING CARTON: L=335, W=335, H=310
3. QUANTITY :
  - 3.1 PRIMARY PACKING: 400 PCS/REEL
  - 3.2 SECONDARY PACKING: 8 REELS(3200 PCS)/CARTON
4. WEIGHT :
  - 4.1 NET WEIGHT : 1.23g/PCS, 0.49Kg/REEL, 3.93Kg/CARTON.
  - 4.2 GROSS WEIGHT: 7.83 Kg/CARTON.
5. PEELING RESISTANCE: 0.1~0.7N (10.2gf~71.4gf).
6. PEELING SPEED: 300mm/MINUTES.

THIS DRAWING IS A CONTROLLED DOCUMENT.		DWN	<b>STE</b> TE Connectivity	
DIMENSIONS: mm		CHK		
TOLERANCES UNLESS OTHERWISE SPECIFIED:		APVD	NAME	
0 PLC ±		PRODUCT SPEC	MINI DISPLAYPORT	
1 PLC ±		APPLICATION SPEC	RECEPTACLE CONNECTOR	
2 PLC ± ±0.25		WEIGHT	4 ROW TH, REVERSED, OFFSET TYPE	
3 PLC ±		CUSTOMER DRAWING	SIZE	CAGE CODE
4 PLC ±			A3	00779
ANGLES ±3			DRAWING NO	RESTRICTED TO
MATERIAL SEE NOTE 1			C-2129320	
FINISH		SCALE	SHEET	REV
		NONE	2 OF 4	D

4

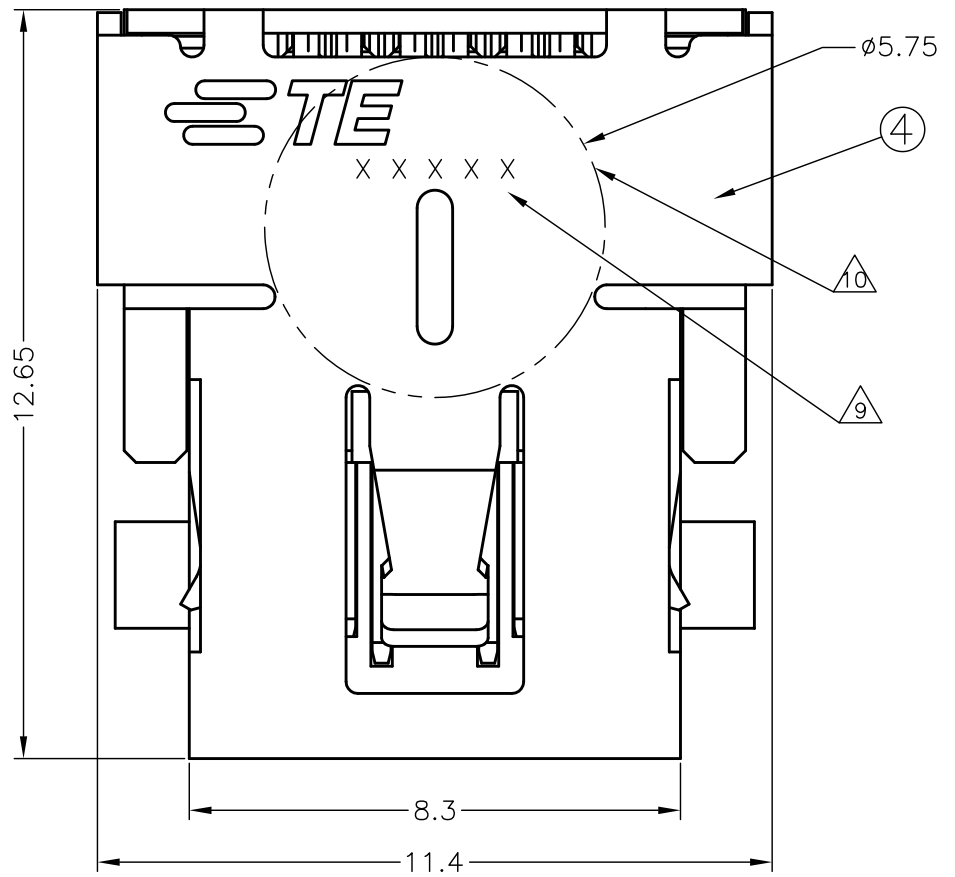
3

2

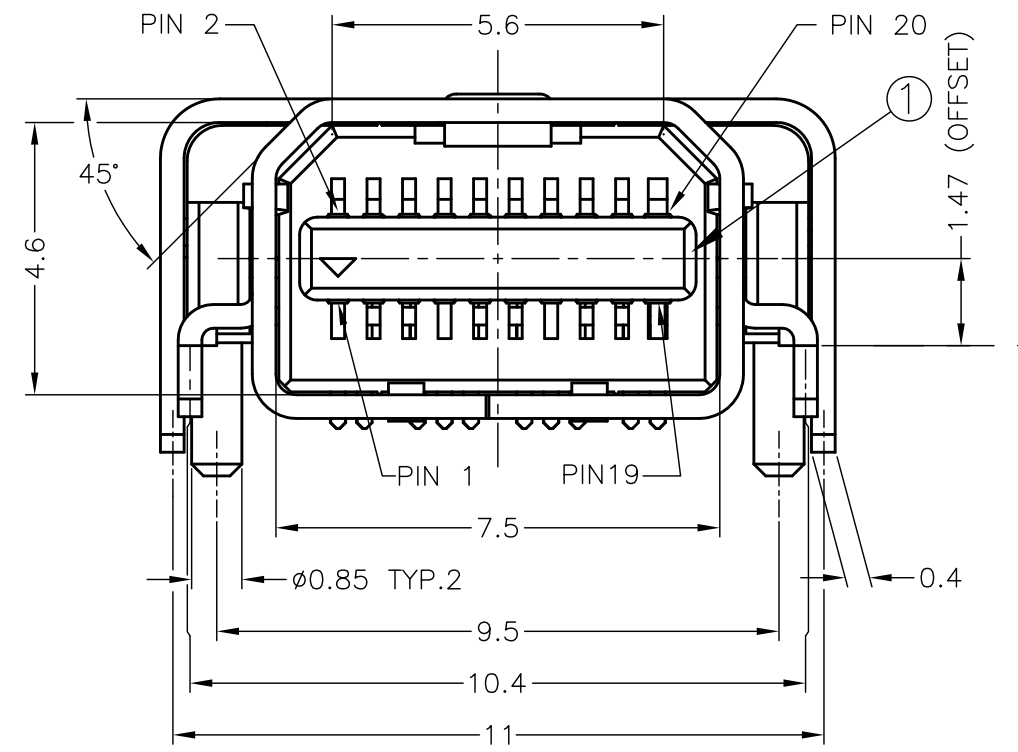
1

THIS DRAWING IS UNPUBLISHED. RELEASED FOR PUBLICATION  
 © COPYRIGHT - By - ALL RIGHTS RESERVED.

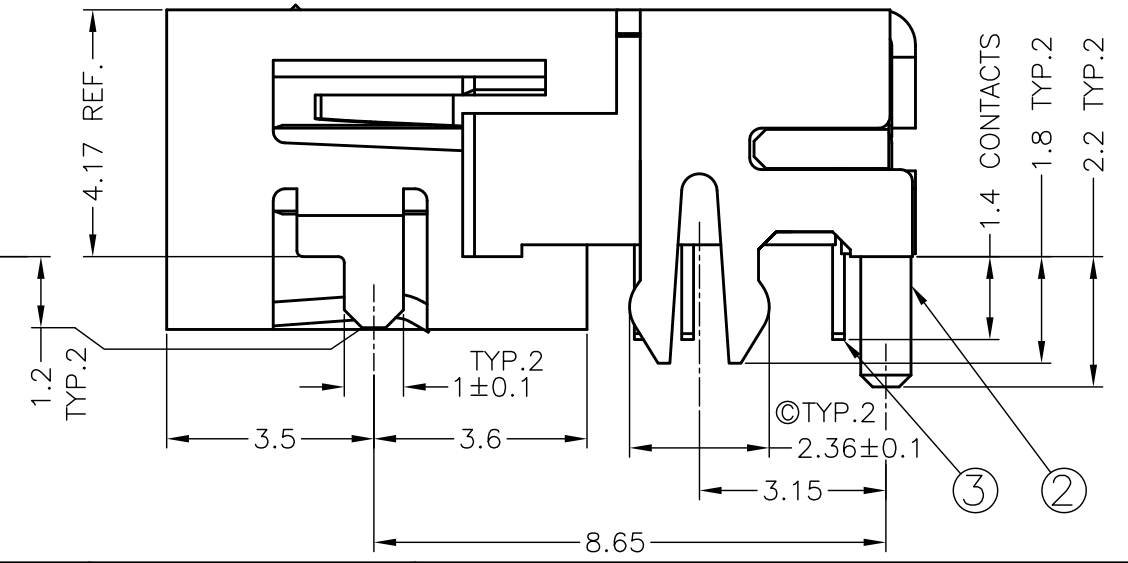
LOC	DIST	REVISIONS				
P	LTR	DESCRIPTION	DATE	DWN	APVD	
DW		SEE SHEET 1	-	-	-	



- △ MATERIAL:
- ① HOUSING: HIGH TEMPERATURE THERMAL PLASTIC, BLACK, UL94V-0.
  - ② TINE PLATE: HIGH TEMPERATURE THERMAL PLASTIC, BLACK, UL94V-0.
  - ③ CONTACT: COPPER ALLOY.
  - ④ SHELL: STAINLESS STEEL.
- △ FINISH:
- CONTACT:
- CONTACT AREA: Au PLATING 0.38 um
  - SOLDER TAIL AREA: MATTE TIN PLATING
  - UNDER PLATING: NICKEL PLATING OVERALL
- SHELL:
- MATTE TIN PL. ALL OVER
  - NICKEL UNDERPLATING ALL OVER
- △ DATE CODE
- △ PICK & PLACE VACUUM AREA
11. LOW HALOGEN SPECIFICATION  
 CHLORINE(Cl) : 900 ppm MAX.  
 BROMINE(Br) : 900 ppm MAX.



MOUNTING SURFACE



D

D

C

C

B

B

A

A

THIS DRAWING IS A CONTROLLED DOCUMENT.		DWN	<b>STE</b> TE Connectivity	
DIMENSIONS: mm		CHK		
TOLERANCES UNLESS OTHERWISE SPECIFIED:		APVD	NAME	
0 PLC ±		PRODUCT SPEC	MINI DISPLAYPORT RECEPTACLE CONNECTOR	
1 PLC ±		APPLICATION SPEC	4 ROW TH, REVERSED, OFFSET TYPE	
2 PLC ± ±0.25		WEIGHT	SIZE	CAGE CODE
3 PLC ±		CUSTOMER DRAWING	A3	00779
4 PLC ±			DRAWING NO	RESTRICTED TO
ANGLES ±3			C-2129320	
MATERIAL	FINISH		SCALE	SHEET
SEE NOTE 7	SEE NOTE 8		8:1	3 of 4
				REV
				D



# Mouser Electronics

Authorized Distributor

Click to View Pricing, Inventory, Delivery & Lifecycle Information:

[TE Connectivity:](#)

[2129320-3](#)