

## Solid-state relays - ST-OE2-110DC/ 48DC/100 - 2911715

Please be informed that the data shown in this PDF Document is generated from our Online Catalog. Please find the complete data in the user's documentation. Our General Terms of Use for Downloads are valid (<http://phoenixcontact.com/download>)




Plug-in input solid-state relay, with LED and protective circuit in input and output circuits, input: 110 V DC, output: 8 - 48 V DC/max. 100 mA, can be plugged into basic terminal blocks

The illustration shows version ST-OV  
2- 5 DC/ 48 DC/100



### Key Commercial Data

Packing unit	1 pc
GTIN	 4 017918 079734
Weight per Piece (excluding packing)	23.03 g
Custom tariff number	85364900
Country of origin	Germany

### Technical data

#### Dimensions

Width	14.6 mm
Height	33 mm
Depth	66.5 mm

#### Ambient conditions

Ambient temperature (operation)	-20 °C ... 60 °C
Ambient temperature (storage/transport)	-20 °C ... 70 °C

#### Input data

Nominal input voltage $U_N$	110 V DC $\pm 10$ %
Switching threshold "0" signal in reference to $U_N$	$\leq 0.4$
Switching threshold "1" signal in reference to $U_N$	$\geq 0.8$
Typical input current at $U_N$	5 mA

## Solid-state relays - ST-OE2-110DC/ 48DC/100 - 2911715

### Technical data

#### Input data

Typical response time	20 µs
Typical turn-off time	100 µs
Status display	Yellow LED
Type of protection	Reverse polarity protection
	Surge protection
Protective circuit/component	Polarity protection diode
	RC element
Transmission frequency	500 Hz

#### Output data

Output voltage range	8 V DC ... 48 V DC
Limiting continuous current	100 mA
Voltage drop at max. limiting continuous current	0.9 V
Output circuit	2-wire, floating
Type of protection	Reverse polarity protection
	Surge protection
Protective circuit/component	Polarity protection diode

#### General

Test voltage input/output	2.5 kV AC
Mounting position	any
Standards/regulations	DIN VDE 0110

#### Standards and Regulations

Standards/regulations	DIN VDE 0110
-----------------------	--------------

### Classifications

#### eCl@ss

eCl@ss 4.0	27371102
eCl@ss 4.1	27371102
eCl@ss 5.0	27371001
eCl@ss 5.1	27371001
eCl@ss 6.0	27371001
eCl@ss 7.0	27371001
eCl@ss 8.0	27371604

#### ETIM

ETIM 2.0	EC001504
----------	----------

## Solid-state relays - ST-OE2-110DC/ 48DC/100 - 2911715

### Classifications

#### ETIM

ETIM 3.0	EC001504
ETIM 4.0	EC001504
ETIM 5.0	EC001504

#### UNSPSC

UNSPSC 6.01	30211916
UNSPSC 7.0901	39121542
UNSPSC 11	39121542
UNSPSC 12.01	39121542
UNSPSC 13.2	39121542

### Approvals

#### Approvals

---

Approvals

EAC

---

Ex Approvals

---

Approvals submitted

---

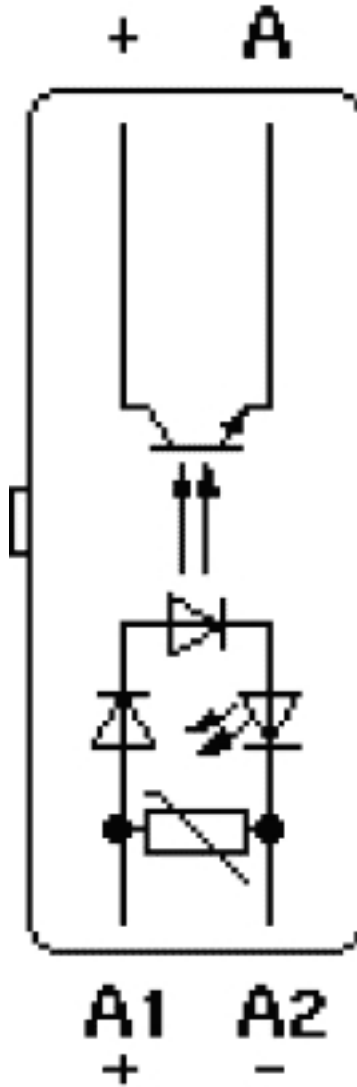
Approval details

EAC
-----

### Drawings

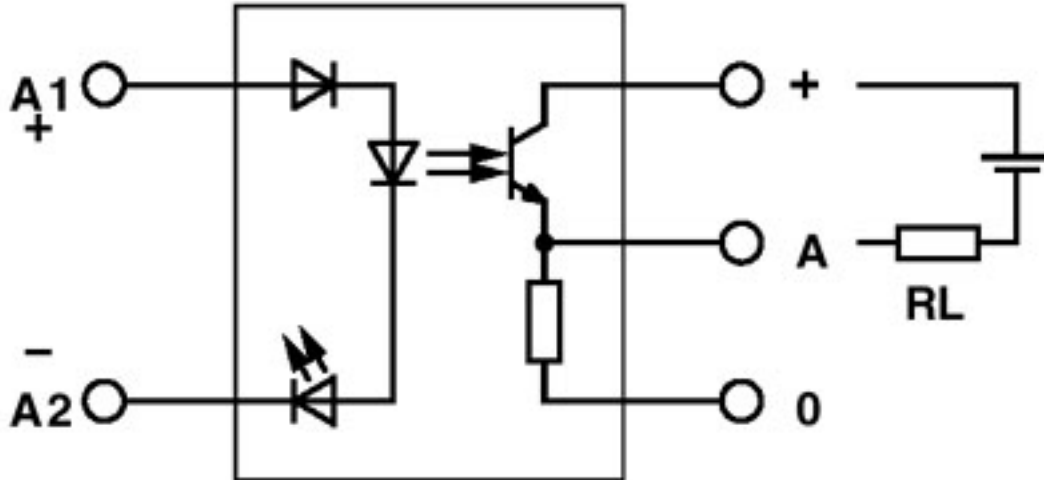
# Solid-state relays - ST-OE2-110DC/ 48DC/100 - 2911715

Circuit diagram



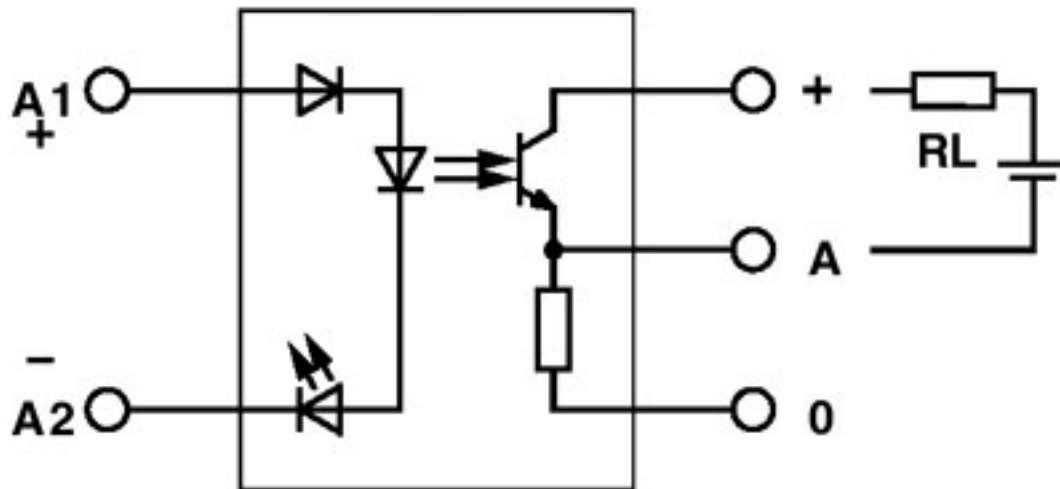
## Solid-state relays - ST-OE2-110DC/ 48DC/100 - 2911715

Circuit diagram



Output: 2-wire, floating, plus switching

Circuit diagram



Output: 2-wire, floating, minus switching

# Mouser Electronics

Authorized Distributor

Click to View Pricing, Inventory, Delivery & Lifecycle Information:

[Phoenix Contact:](#)

[2911715](#)