

Solid-state relays - ST-OE3- 60DC/ 48DC/100 - 2911045

Please be informed that the data shown in this PDF Document is generated from our Online Catalog. Please find the complete data in the user's documentation. Our General Terms of Use for Downloads are valid (<http://phoenixcontact.com/download>)




Plug-in input solid-state relay, with LED and protective circuit in input and output circuits, input: 48 - 60 V DC, output: 8 - 48 V DC/max. 100 mA, can be plugged into basic terminal blocks

The illustration shows version ST-OV
3- 5 DC/ 48 DC/100



Key Commercial Data

| | |
|--------------------------------------|---|
| Packing unit | 1 pc |
| GTIN |  4 017918 079475 |
| Weight per Piece (excluding packing) | 27.55 g |
| Custom tariff number | 85364190 |
| Country of origin | Germany |

Technical data

Note

| | |
|-------------------------|---|
| Utilization restriction | EMC: class A product, see manufacturer's declaration in the download area |
|-------------------------|---|

Dimensions

| | |
|--------|---------|
| Width | 20.8 mm |
| Height | 33 mm |
| Depth | 66.5 mm |

Ambient conditions

| | |
|---|------------------|
| Ambient temperature (operation) | -20 °C ... 60 °C |
| Ambient temperature (storage/transport) | -20 °C ... 70 °C |

Input data

| | |
|-----------------------------|---------------------|
| Nominal input voltage U_N | 60 V DC +10 % -28 % |
|-----------------------------|---------------------|

Solid-state relays - ST-OE3- 60DC/ 48DC/100 - 2911045

Technical data

Input data

| | |
|--|-----------------------------|
| Switching threshold "0" signal in reference to U_N | ≤ 0.4 |
| Switching threshold "1" signal in reference to U_N | ≥ 0.8 |
| Typical input current at U_N | 9 mA |
| Typical response time | 50 μ s |
| Typical turn-off time | 100 μ s |
| Status display | Yellow LED |
| Type of protection | Reverse polarity protection |
| | Surge protection |
| Protective circuit/component | Polarity protection diode |
| Transmission frequency | 300 Hz |

Output data

| | |
|--|---|
| Output voltage range | 8 V DC ... 48 V DC |
| Limiting continuous current | 100 mA |
| Voltage drop at max. limiting continuous current | 1.2 V |
| Output circuit | 2-conductor floating, 3-conductor ground-referenced |
| Type of protection | Reverse polarity protection |
| | Free running |
| Protective circuit/component | Polarity protection diode |
| | Damping diode |
| Output resistor | approx. 22 k Ω (for 3-wire connection) |

General

| | |
|---------------------------|--------------|
| Test voltage input/output | 2.5 kV AC |
| Mounting position | any |
| Standards/regulations | IEC 60664 |
| | IEC 60664A |
| | DIN VDE 0110 |

Standards and Regulations

| | |
|-----------------------|--------------|
| Standards/regulations | IEC 60664 |
| | IEC 60664A |
| | DIN VDE 0110 |

Classifications

eCl@ss

| | |
|------------|----------|
| eCl@ss 4.0 | 27371102 |
| eCl@ss 4.1 | 27371102 |

Solid-state relays - ST-OE3- 60DC/ 48DC/100 - 2911045

Classifications

eCl@ss

| | |
|------------|----------|
| eCl@ss 5.0 | 27371001 |
| eCl@ss 5.1 | 27371001 |
| eCl@ss 6.0 | 27371001 |
| eCl@ss 7.0 | 27371001 |
| eCl@ss 8.0 | 27371604 |

ETIM

| | |
|----------|----------|
| ETIM 2.0 | EC001504 |
| ETIM 3.0 | EC001504 |
| ETIM 4.0 | EC001504 |
| ETIM 5.0 | EC001504 |

UNSPSC

| | |
|---------------|----------|
| UNSPSC 6.01 | 30211916 |
| UNSPSC 7.0901 | 39121542 |
| UNSPSC 11 | 39121542 |
| UNSPSC 12.01 | 39121542 |
| UNSPSC 13.2 | 39121542 |

Approvals

Approvals

Approvals

EAC

Ex Approvals

Approvals submitted

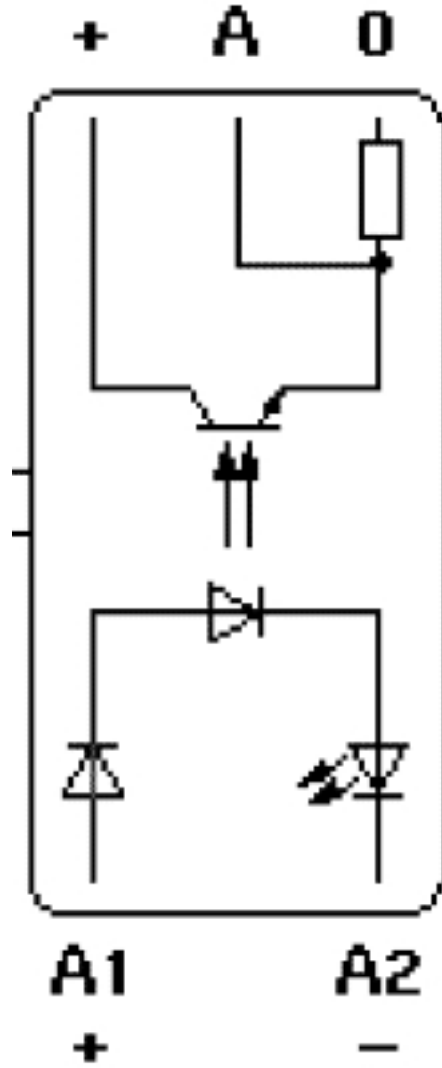
Approval details

| |
|-----|
| EAC |
|-----|

Drawings

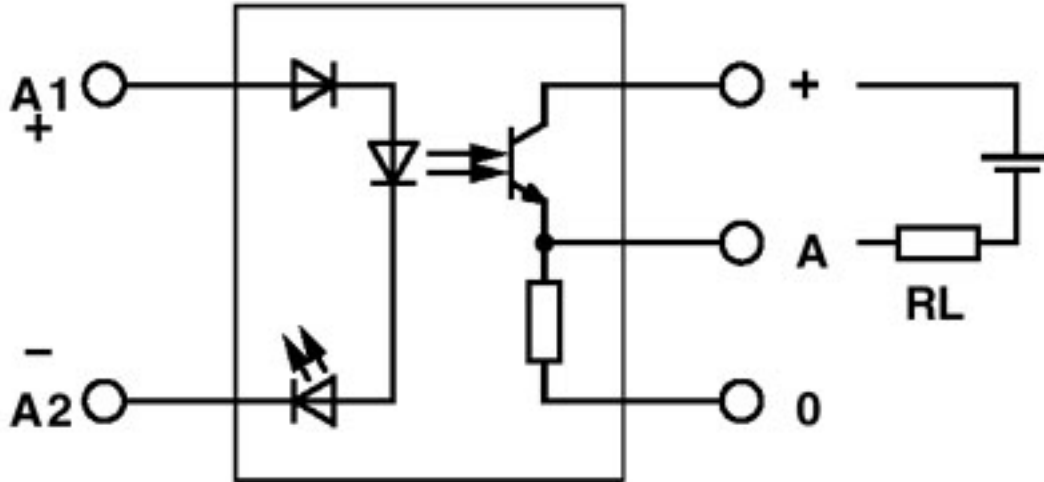
Solid-state relays - ST-OE3- 60DC/ 48DC/100 - 2911045

Circuit diagram



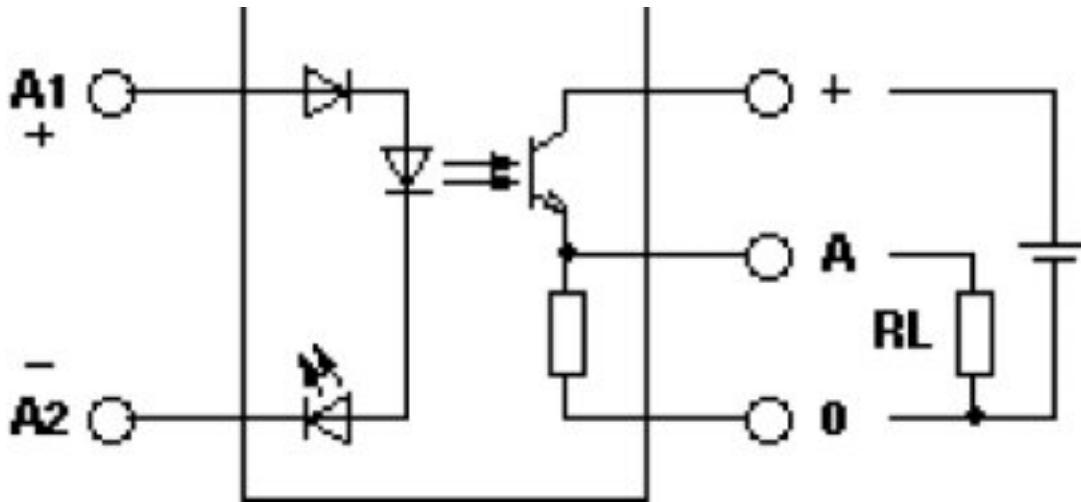
Solid-state relays - ST-OE3- 60DC/ 48DC/100 - 2911045

Circuit diagram



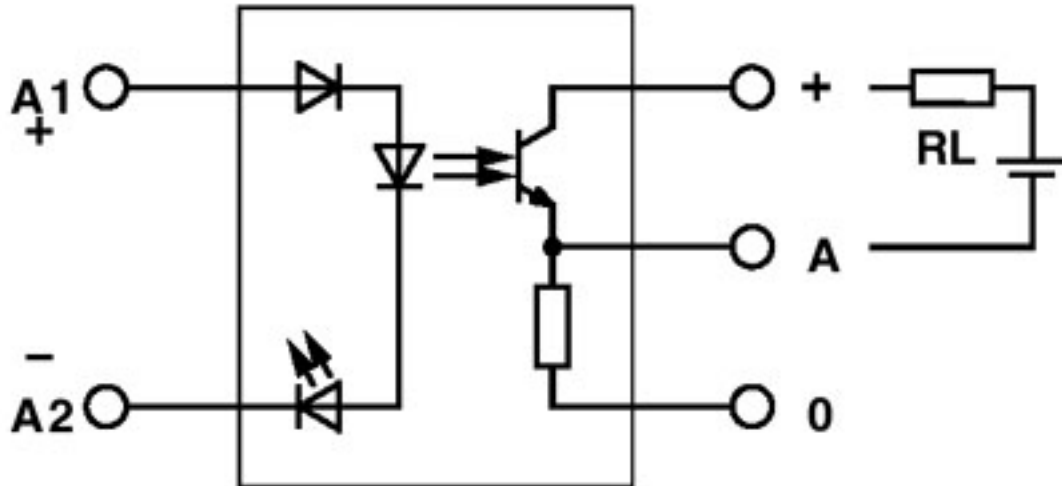
Output: 2-wire, floating, plus switching

Circuit diagram



Solid-state relays - ST-OE3- 60DC/ 48DC/100 - 2911045

Circuit diagram



Output: 2-wire, floating, minus switching

Mouser Electronics

Authorized Distributor

Click to View Pricing, Inventory, Delivery & Lifecycle Information:

[Phoenix Contact:](#)

[2911045](#)