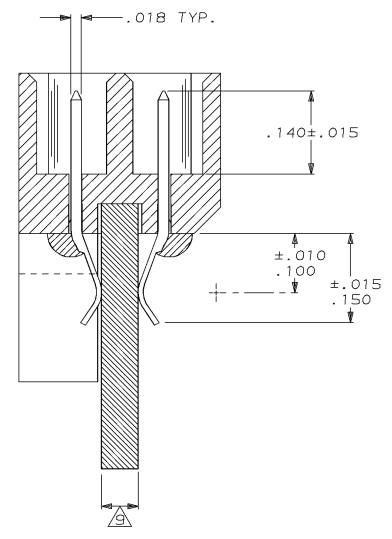
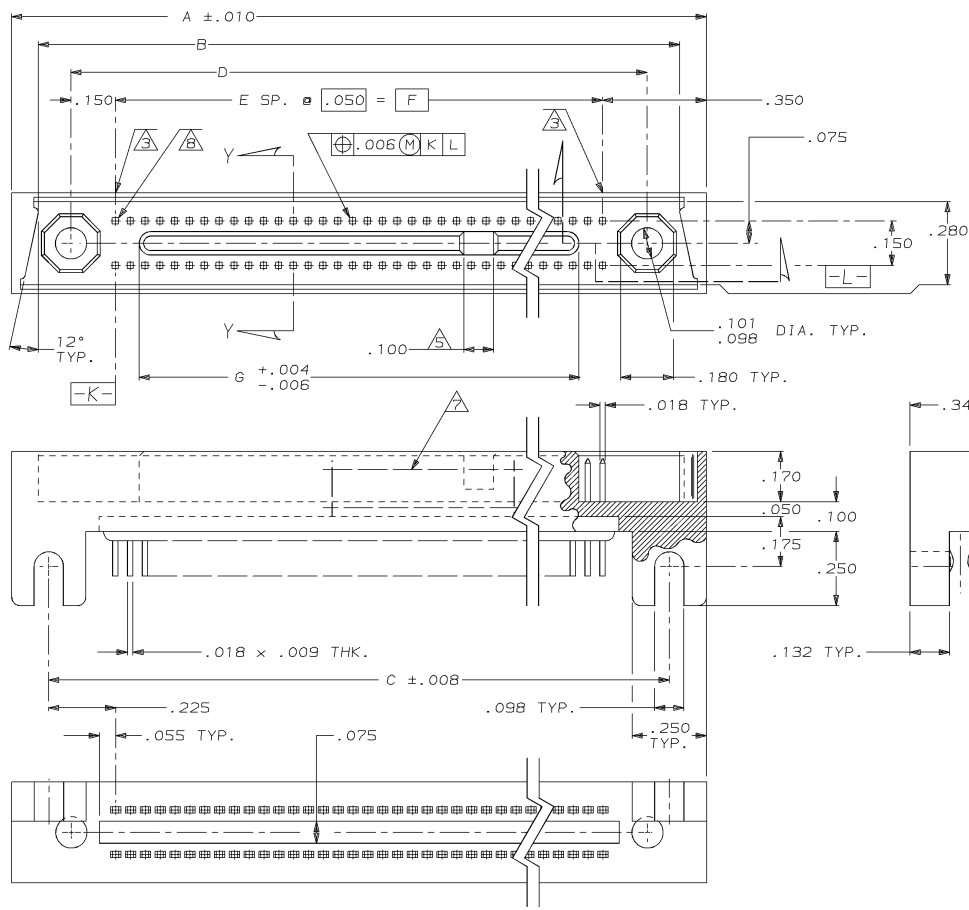


DRAWING MADE IN THIRD ANGLE PROJECTION
 THIS DRAWING IS UNPUBLISHED. RELEASED FOR PUBLICATION
 © COPYRIGHT 19 BY AMP INCORPORATED. ALL INTERNATIONAL RIGHTS RESERVED.

REVISIONS						
REV	ZONE	LTR	DESCRIPTION	DATE	APPD	
E			REV & REDWN PER DF-5332 A.G.	1-7-92	DG	
F			REV PER EC DF-5470 TA	2-10-92	DG	
G			REV PER 0600-1388-93 TA	5-4-94	DG	



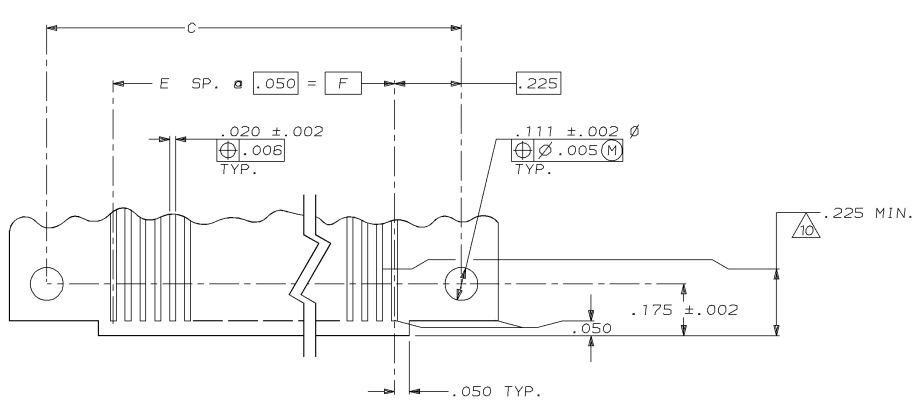
DO NOT SCALE PRINT. UNLESS SPECIFIED DIMENSIONS IN INCHES TOLERANCES ON : 2 PLC DEC ± - 3 PLC DEC ± .005 ANGLES ± - MATERIAL FINISH	DR	W. LEUFERT	5-9-89	AMP AMP INCORPORATED Non-Isoburg, Pa. 17105 NAME PIN HEADER ASSEMBLY, MINI-BOX, SHROUDED, CARD EXTENDER, MILITARY SIZE C FSCM NO 00779 DRAWING NO 531803 SCALE 4:1 SHEET 1 of 2
	CHK	D. GUTTER	1-14-92	
	APPD	D. GUTTER	1-14-92	
	APPD	T. ALEXANDER	1-17-92	
	PRODUCT SPEC	-		
	APPLICATION SPEC	-		
	WEIGHT	-		

CUSTOMER DRAWING

AMP 1471-6 REV 3-87
 41 NY 1164 13.05.98 AMP4011-411200-03110204-03

DRAWING MADE IN THIRD ANGLE PROJECTION
 THIS DRAWING IS UNPUBLISHED. RELEASED FOR PUBLICATION
 © COPYRIGHT 19 BY AMP INCORPORATED. ALL INTERNATIONAL RIGHTS RESERVED.

PROD		LOC		DIST		REVISIONS					
5327	DF	FO	P	F	ZONE	LTR	DESCRIPTION	DATE	APPD		
						G	SEE SHEET 1 TA	-	-		



RECM. .P.C. BD. LAYOUT

M55302/118-22	1 & 64	2.990	3.150	63	3.450	3.600	3.670	3.850	128	2-531803-2
M55302/118-21	1 & 55	2.540	2.700	54	3.000	3.150	3.220	3.400	110	2-531803-1
M55302/118-20	1 & 50	2.290	2.450	49	2.750	2.900	2.970	3.150	100	2-531803-0
M55302/118-19	1 & 45	2.040	2.200	44	2.500	2.650	2.720	2.900	90	1-531803-9
M55302/118-18	1 & 40	1.790	1.950	39	2.250	2.400	2.470	2.650	80	1-531803-8
M55302/118-17	1 & 35	1.540	1.700	34	2.000	2.150	2.220	2.400	70	1-531803-7
M55302/118-16	1 & 30	1.290	1.450	29	1.750	1.900	1.970	2.150	60	1-531803-6
M55302/118-15	1 & 25	1.040	1.200	24	1.500	1.650	1.720	1.900	50	1-531803-5
M55302/118-14	1 & 20	.790	.950	19	1.250	1.400	1.470	1.650	40	1-531803-4
M55302/118-13	1 & 15	.540	.700	14	1.000	1.150	1.220	1.400	30	1-531803-3
M55302/118-12	1 & 10	.290	.450	9	.750	.900	.970	1.150	20	1-531803-2
										1-531803-1
										1-531803-0
										531803-9
										531803-8
										531803-7
										531803-6
										531803-5
										531803-4
										531803-3
										531803-2
										531803-1
MILITARY PART NO.	CAVITY IDENT	G	F	E	D	C	B	A	POSN.	PART NO.

- △ HOUSING MATERIAL: LIQUID CRYSTAL POLYMER PER MIL-M-24519, GLCP-30F; COLOR: GRAY.
- △ CONTACT MATERIAL: BRASS.
- △ END CAVITY IDENTIFICATION NUMBERS, MARKED, (SEE TABLE).
- 4. MUST MEET REQUIREMENTS OF MIL-C-55302.
- △ EXCEPT 20 THRU 50 POSITIONS.
- △ CONTACT FINISH: TABS; TIN-LEAD PLATED FOR SOLDERABILITY OVER NICKEL PER MIL-C-55302.
- △ "AMP", 00779, AMP P/N, MILITARY P/N & DATE CODE, MARKED THIS APPROXIMATE AREA, FAR SIDE.
- △ CAVITY NO. 1
- △ .070/.054 THICK PRINTED CIRCUIT BOARD.
- △ MINIMUM PAD LENGTH ON PRINTED CIRCUIT BOARD.

DR W. LEUFERT	5-9-89	AMP INCORPORATED Non-Flaming, Pa. 17105
CHK D. GUTTER	1-14-92	
APPD D. GUTTER	1-14-92	PIN HEADER ASSEMBLY, MINI-BOX, SHROUDED, CARD EXTENDER, MILITARY
APPD T. ALEXANDER	1-17-92	
PRODUCT SPEC	-	
FINISH	△	
APPLICATION SPEC	-	SIZE C
WEIGHT	-	FSCM NO 00779
		DRAWING NO 531803
		SCALE 4:1
		SHEET 2 of 2

CUSTOMER DRAWING