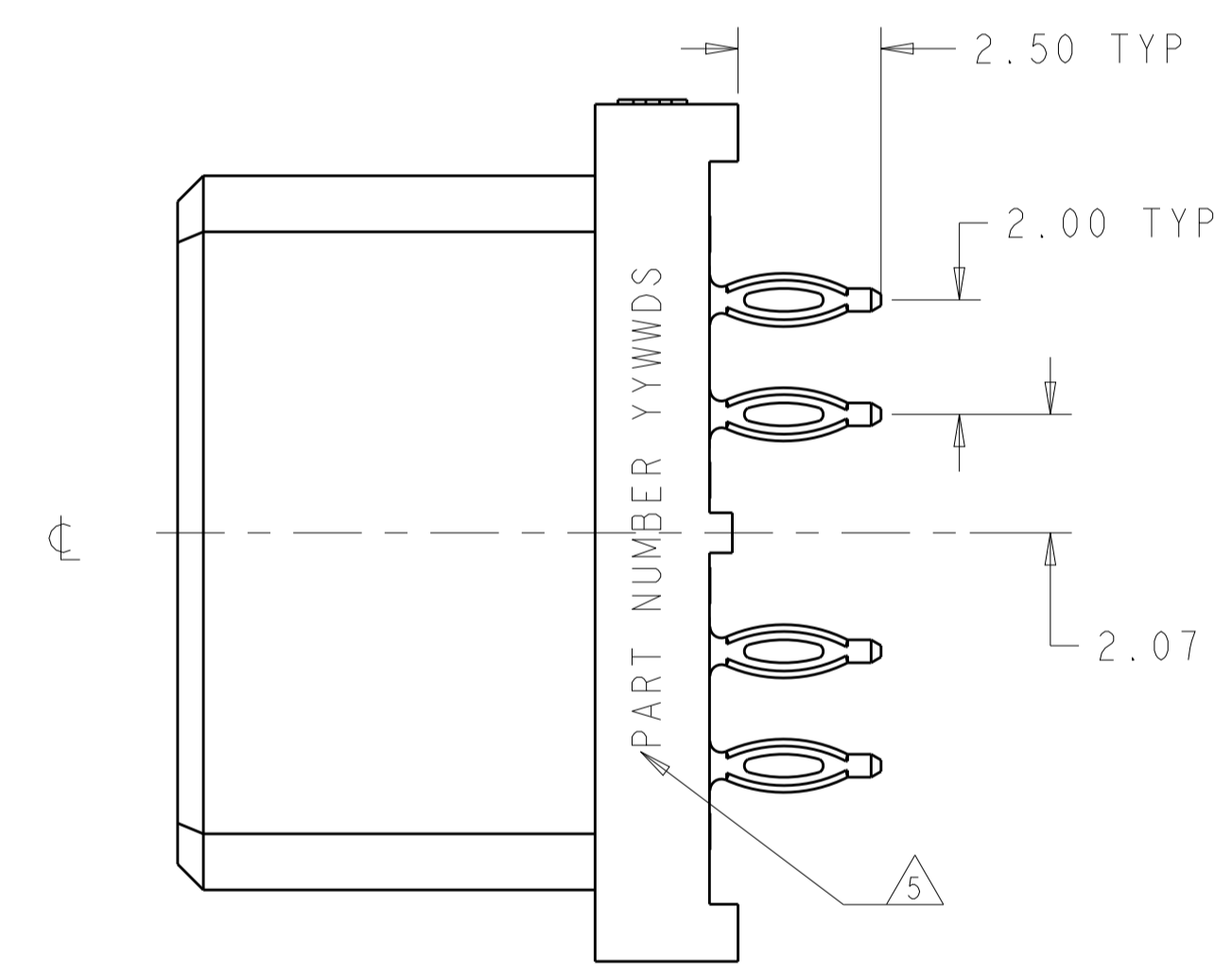
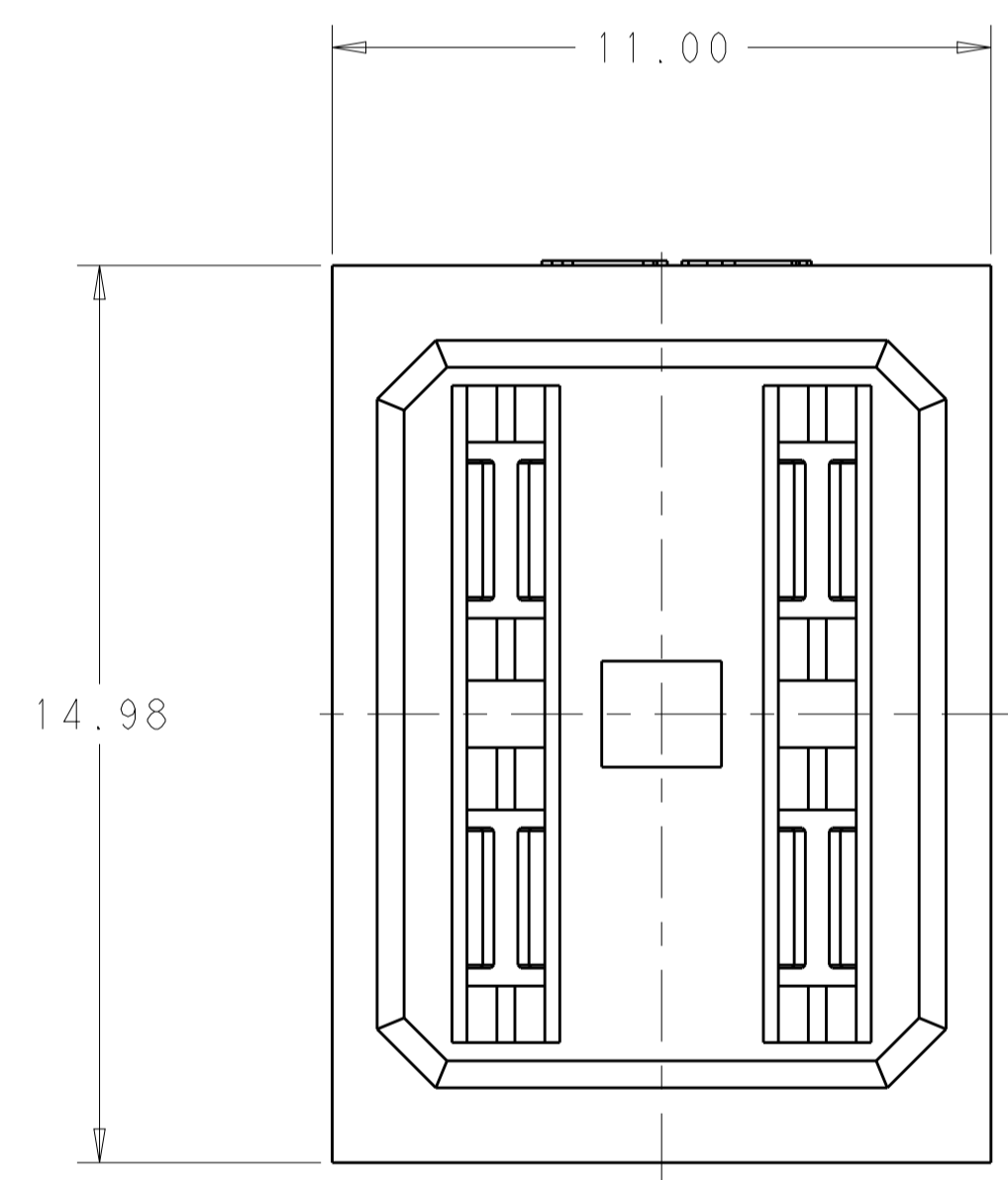
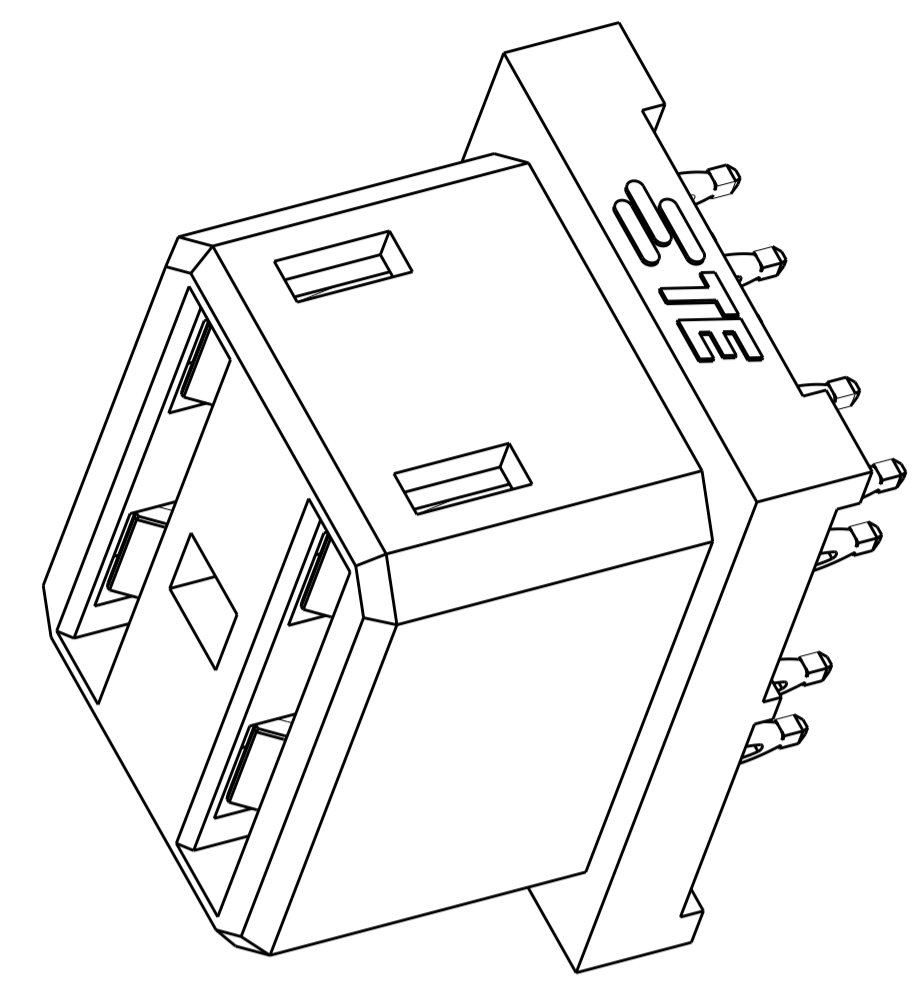
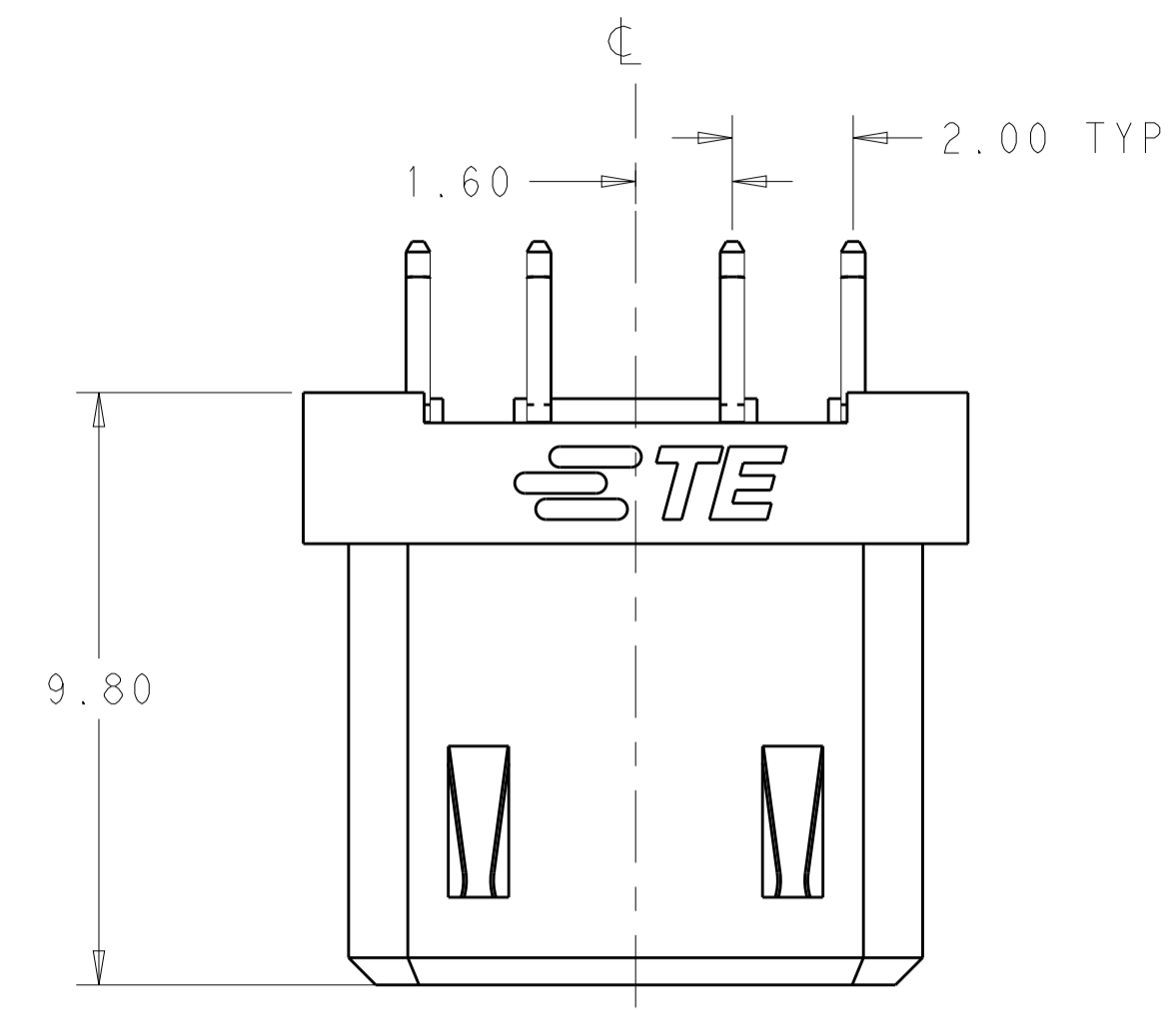


| LOC | | DIST | | REVISIONS | | | |
|-----|-----|-----------------------|------------|-----------|------|--|--|
| P | LTN | DESCRIPTION | DATE | DWN | APVD | | |
| A | | INITIAL RELEASE | 07JUN2012 | LW | AC | | |
| A1 | | REV PER ECR-12-013085 | 20JULY2012 | LW | AC | | |



NOTES:

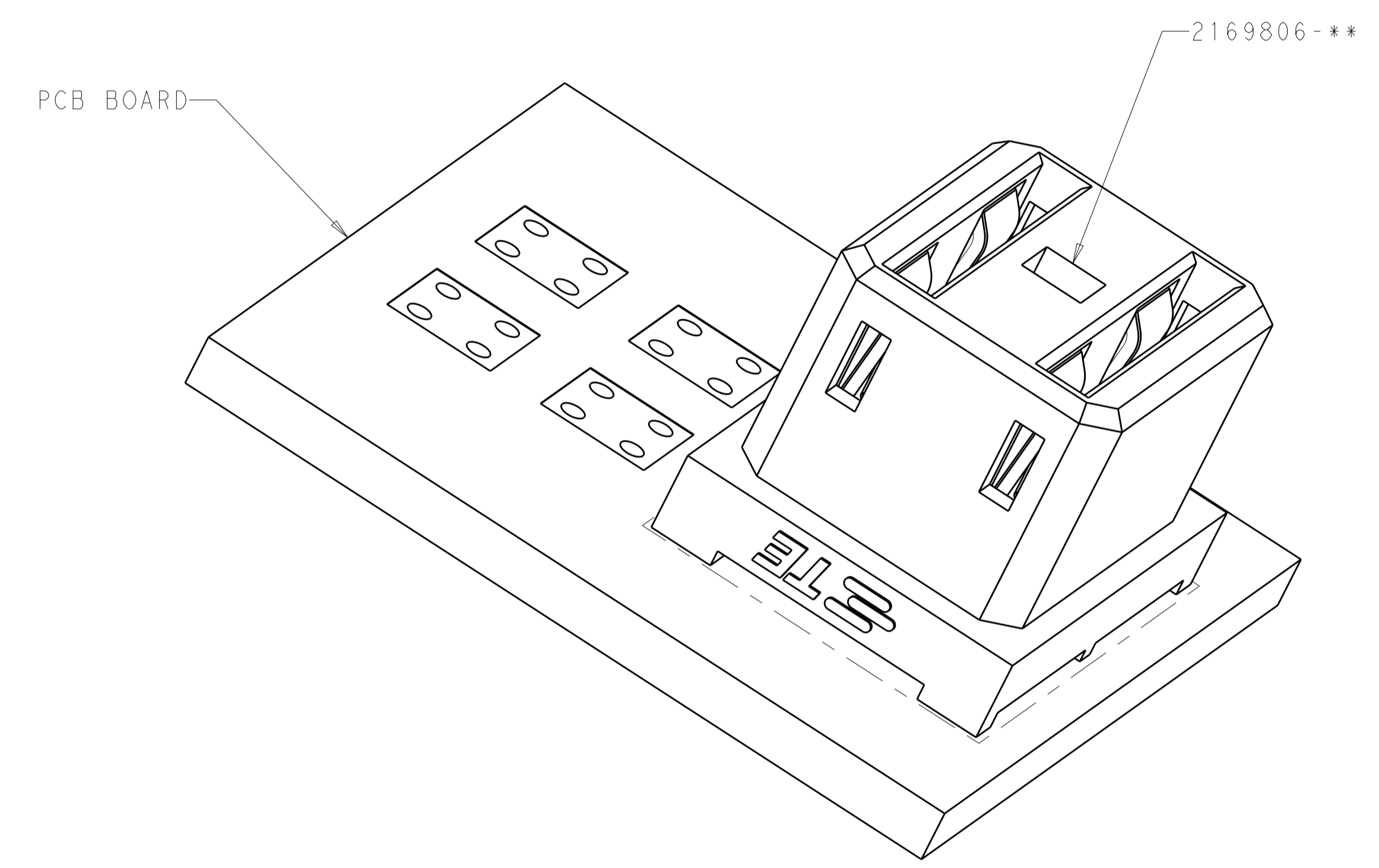
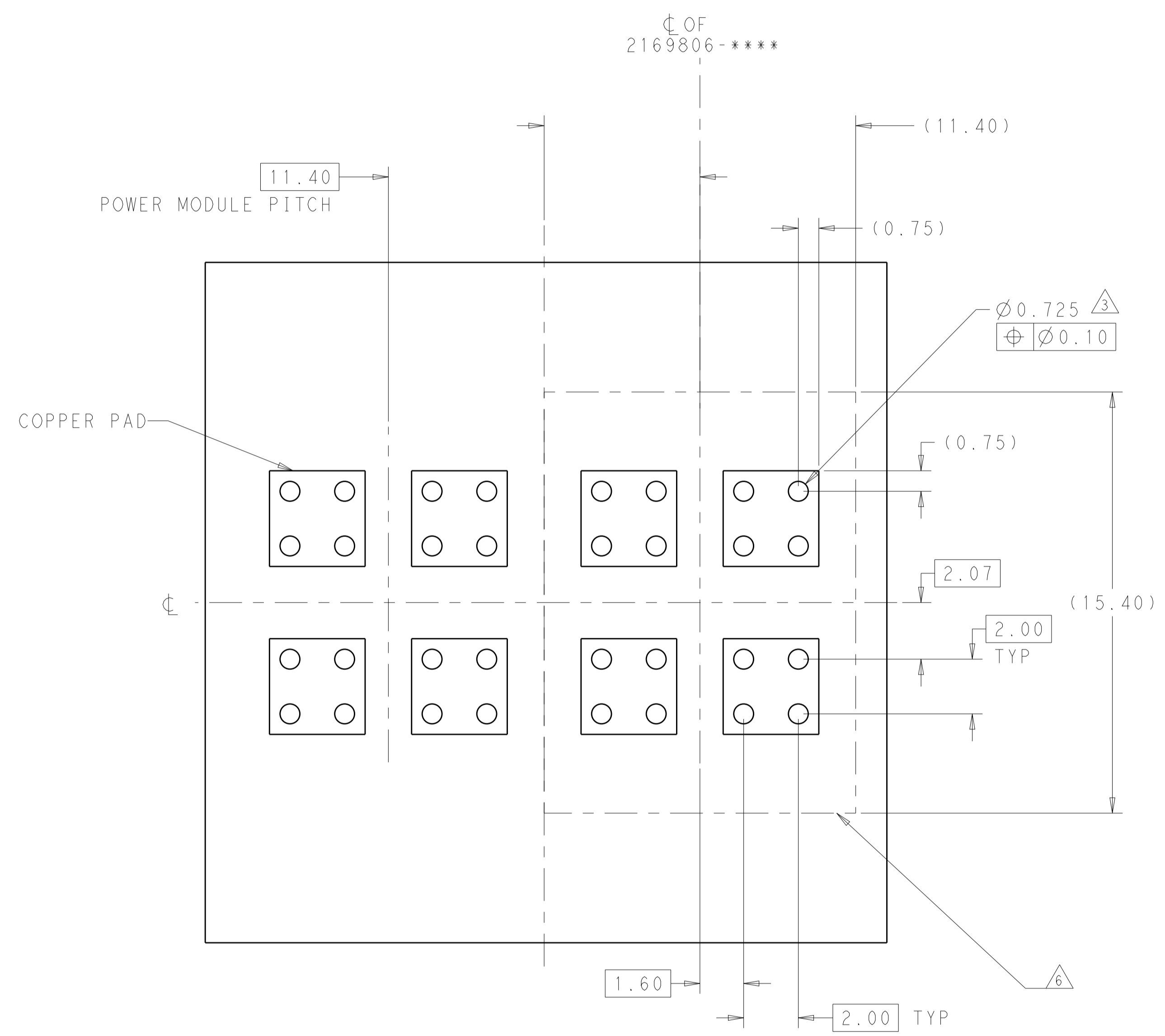
1. MATERIALS:
 HOUSING: HIGH TEMP, THERMOPLASTIC GLASS/MINERAL FILLED UL94V-0.
 CONTACT: COPPER ALLOY
2. FINISH OPTION
 TIN OPTION: 0.76um MINIMUM GOLD AT CONTACT AREA
 2.54um MINIMUM NICKEL UNDERPLATE OVER ALL
 TIN AT TAIL AREA.
 TIN-LEAD OPTION: 0.76um MINIMUM GOLD AT CONTACT AREA
 2.54um MINIMUM NICKEL UNDERPLATE OVER ALL
 TIN-LEAD AT TAIL AREA..
3. PCB NOTE FOR DIAMETER 0.725mm PLATED HOLE.
 -DRILLED HOLE SIZE IS 0.838mm
 -PLATED WITH 0.007mm MIN. TIN OVER.
 0.03 TO 0.08mm COPPER UNDERPLATE TO ACHIEVE
 0.725±0.075mm HOLE.
4. MATES WITH 2169797-***.
5. PART NUMBER AND DATE CODE AT ASSEMBLY AREA AS APPROXIMATE SHOWN.
6. KEEP OUT ZONE FROM OTHER COMPONENTS.

| | | | |
|-----------|----------------|------------------|-------------|
| OBSOLETE | TRAY | TIN-LEAD PLATING | 5-2169806-1 |
| | | TIN PLATING | 2169806-1 |
| PACKAGING | PLATING OPTION | PART NUMBER | |

| | | | |
|---|--|--|--|
| THIS DRAWING IS A CONTROLLED DOCUMENT. | | DWN: 12MAY2011 | TE Connectivity NAME: IMPACT POWER, 3 PAIR VERTICAL RECEPTACLE PRESS-FIT |
| DIMENSIONS: mm | | CHK: 12MAY2011 | |
| TOLERANCES UNLESS OTHERWISE SPECIFIED: | | APVD: 12MAY2011 | |
| 0 PLC ±. 1 PLC ±. 2 PLC ±.25 3 PLC ±. 4 PLC ±. ANGLES ±° | | PRODUCT SPEC: 108-2473 APPLICATION SPEC: 114-32028 WEIGHT: - CUSTOMER DRAWING | |
| MATERIAL: | | FINISH: | SIZE: A1 CAGE CODE: 00779 DRAWING NO: C=2169806 SCALE: 1:1 SHEET 1 OF 2 REV: A1 |

| LOC | | DIST | | REVISIONS | | | |
|-----|-----|-------------|------|-----------|------|--|--|
| P | LTH | DESCRIPTION | DATE | DWN | APVD | | |
| - | - | SEE SHEET 1 | - | - | - | | |

RECOMMENDED PCB LAYOUT
 (COMPONENT SIDE SHOWN)
 MINIMUM BOARD THICKNESS: 1.60mm



CONNECTOR MATES WITH PCB

| | | | |
|---|--|--|--|
| THIS DRAWING IS A CONTROLLED DOCUMENT. | | DWN: AY 12MAY2011 | TE Connectivity NAME: IMPACT POWER, 3 PAIR VERTICAL RECEPTACLE PRESS-FIT |
| DIMENSIONS: mm | | CHK: SZ 12MAY2011 | |
| TOLERANCES UNLESS OTHERWISE SPECIFIED: | | APVD: JHC 12MAY2011 | |
| 0 PLC ± 1 PLC ± 2 PLC ±.25 3 PLC ± 4 PLC ± ANGLES ±° FINISH | | PRODUCT SPEC: 108-2473 APPLICATION SPEC: 114-32028 WEIGHT: | |
| MATERIAL: | | SCALE: 5:1 | SIZE: A1 CAGE CODE: 100779 DRAWING NO: C=2169806 SHEET: 2 OF 2 REV: A1 CUSTOMER DRAWING |

Mouser Electronics

Authorized Distributor

Click to View Pricing, Inventory, Delivery & Lifecycle Information:

[TE Connectivity:](#)

[2169806-1](#)