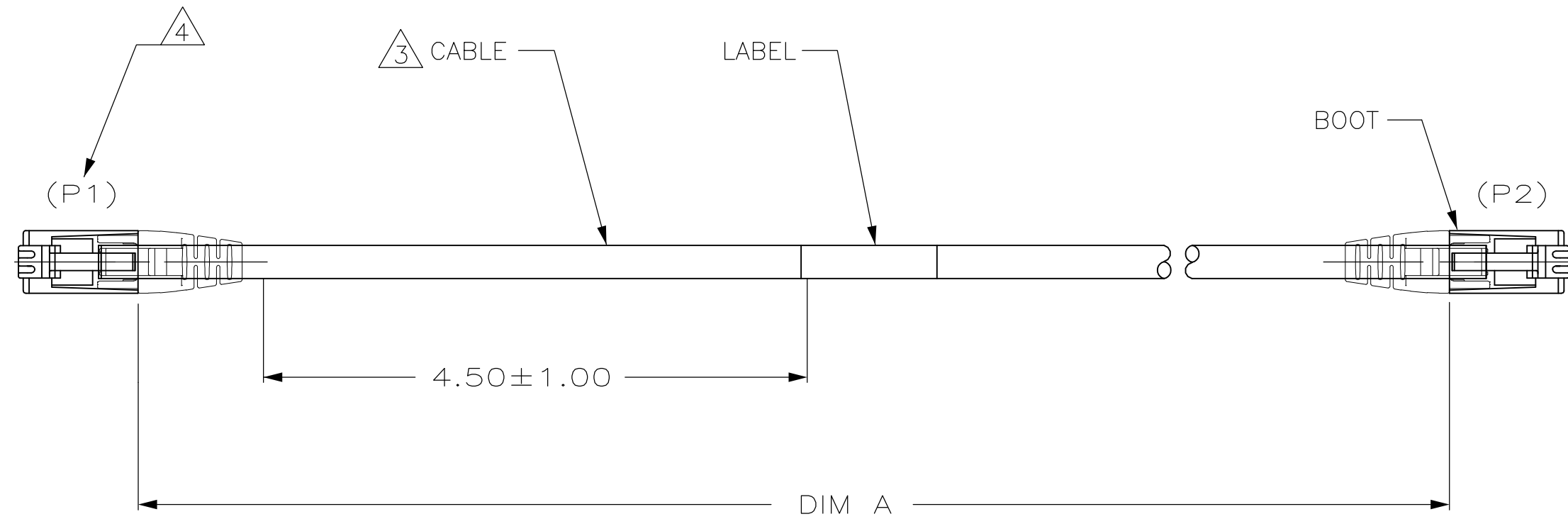
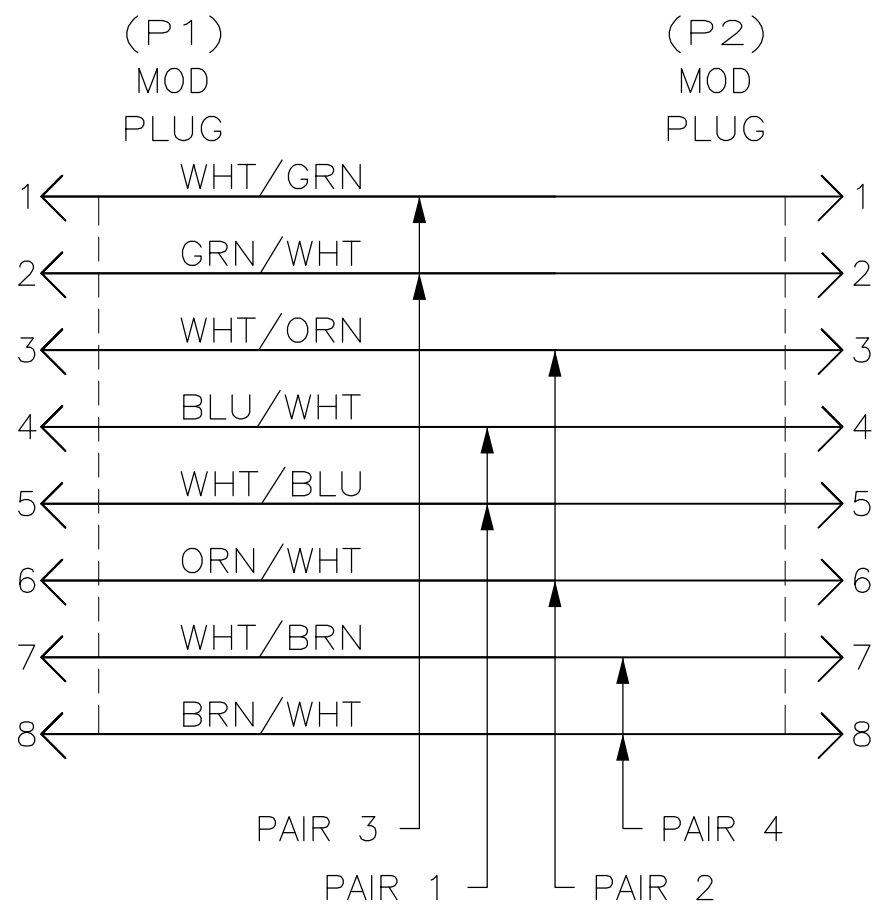


THIS DRAWING IS UNPUBLISHED. RELEASED FOR PUBLICATION
 © COPYRIGHT BY TYCO ELECTRONICS CORPORATION. ALL RIGHTS RESERVED.

LOC	DIST	REVISIONS			
P	LTR	DESCRIPTION	DATE	DWN	APVD
EH	00	REV; ECO-12-007616	08MAY2012	GG	JG



- ONE CABLE PACKAGED IN A CLEAR POLY BAG.
- DIMENSIONS ARE MAXIMUM UNLESS OTHERWISE SPECIFIED.
- CABLE: UNSHIELDED 24 AWG, 4 TWISTED PAIRS, STRANDED CONDUCTORS, 100 OHMS.
- DESIGNATIONS IN PARENTHESES () ARE FOR REFERENCE ONLY.
- AN ALTERNATE FORM OF CONNECTOR COMPONENTS RESULTING IN EQUIVALENT PERFORMANCE IS ACCEPTABLE.



WIRING DIAGRAM
568A

METERS, REF	FEET REF.	DIM A	PART NO
0.15	0.5	203.2 (8.00)	9-219184-8
18.29	60	18440.4 (726.00)	6-219184-0
15.24	50	15392.4 (606.00)	5-219184-0
12.20	40	12344.4 (486.00)	4-219184-0
10.67	35	10820.4 (426.00)	3-219184-5
9.15	30	9296.4 (366.00)	3-219184-0
7.62	25	7721.6 (304.00)	2-219184-5
6.10	20	6197.6 (244.00)	2-219184-0
4.88	16	4978.4 (196.00)	1-219184-6
4.57	15	4724.4 (184.00)	1-219184-5
4.27	14	4368.8 (172.00)	1-219184-4
3.66	12	3759.2 (148.00)	1-219184-2
3.35	11	3454.4 (136.00)	1-219184-1
3.05	10	3149.6 (124.00)	1-219184-0
2.74	9	2794.0 (110.00)	219184-9
2.44	8	2489.2 (98.00)	219184-8
2.14	7	2184.4 (86.00)	219184-7
1.83	6	1879.6 (74.00)	219184-6
1.53	5	1574.8 (62.00)	219184-5
1.22	4	1270.0 (50.00)	219184-4
0.92	3	965.2 (38.00)	219184-3
0.61	2	660.4 (26.00)	219184-2
0.30	1	355.6 (14.00)	219184-1

THIS DRAWING IS A CONTROLLED DOCUMENT.		DWN M. BOLES 25JUL97	Tyco Electronics Corporation Harrisburg, Pa 17105-3608	
DIMENSIONS: mm [INCHES]		CHK B. ANTHONY 25JUL97	NAME B. ANTHONY 25JUL97	
TOLERANCES UNLESS OTHERWISE SPECIFIED:		APVD B. ANTHONY 25JUL97	PRODUCT SPEC 108-1163	
0 PLC ± -		APPLICATION SPEC 114-6053		
1 PLC ± -		WEIGHT	SIZE A2	CAGE CODE 00779
2 PLC ± -		FINISH	DRAWING NO C=219184	RESTRICTED TO
3 PLC ± -			SCALE 1:1	SHEET 1 OF 1
4 PLC ± -			REV L	
ANGLES ± -		CUSTOMER DRAWING		