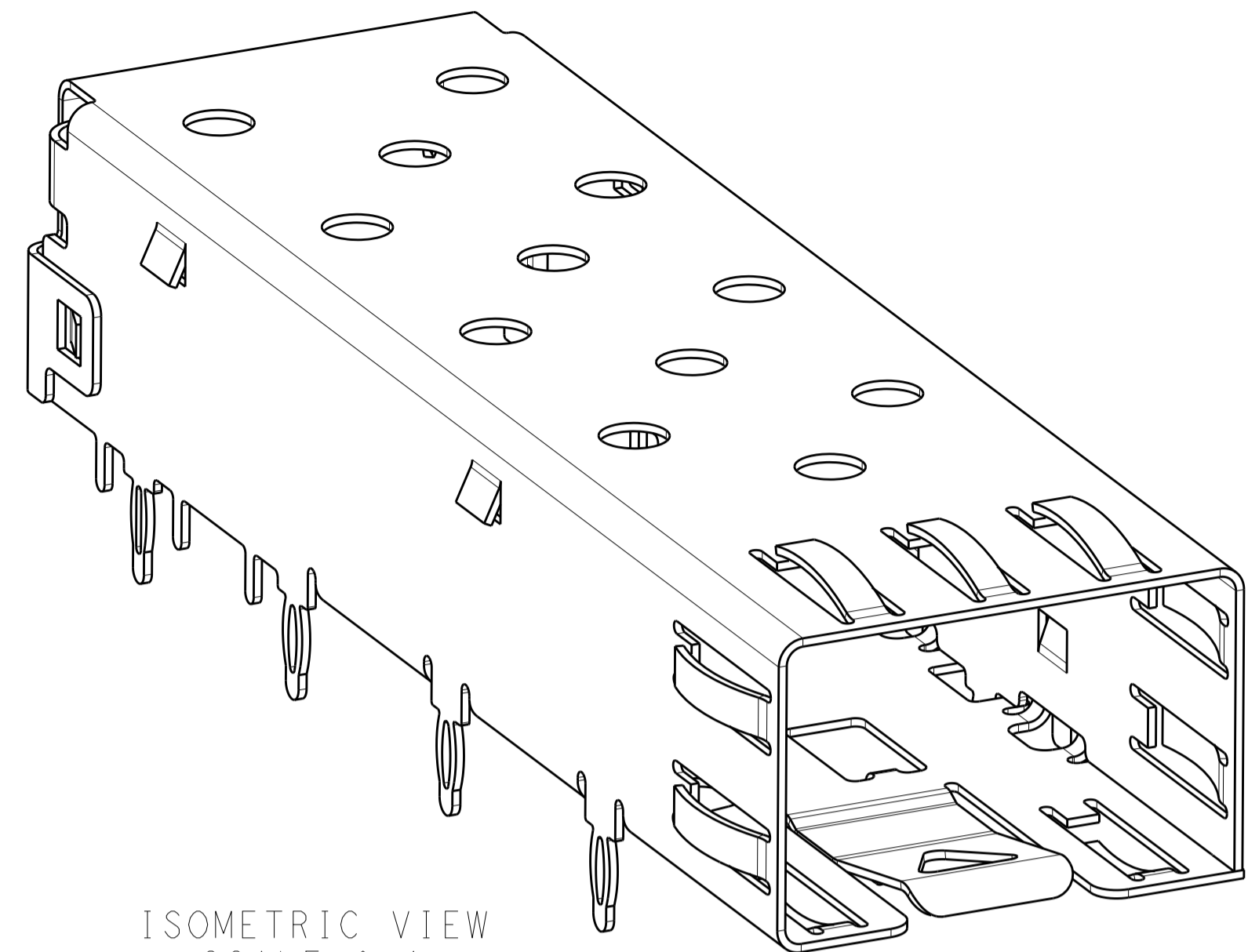
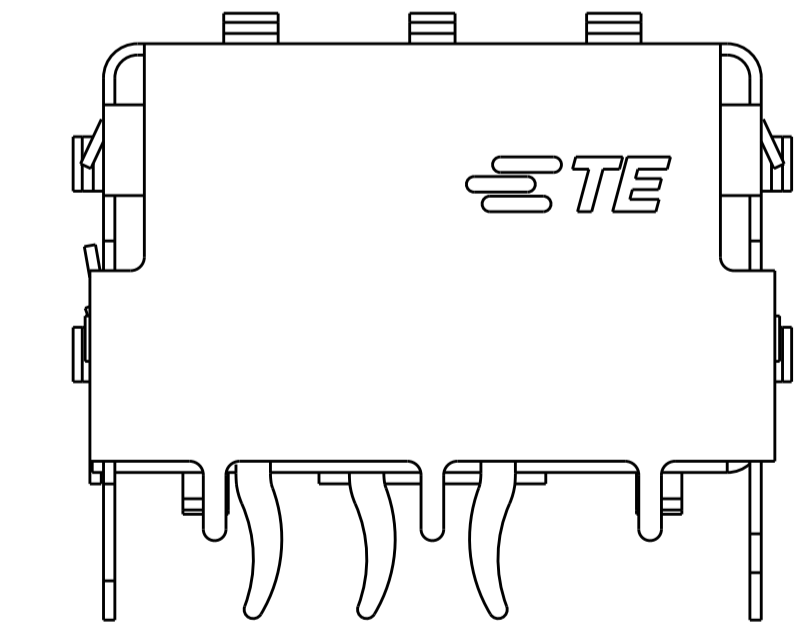
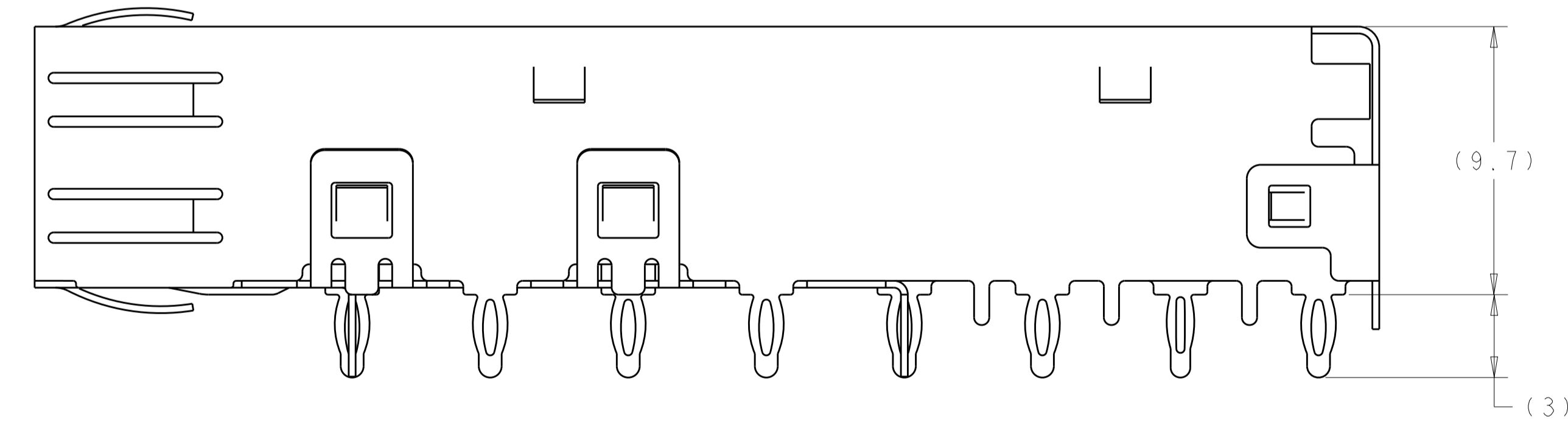
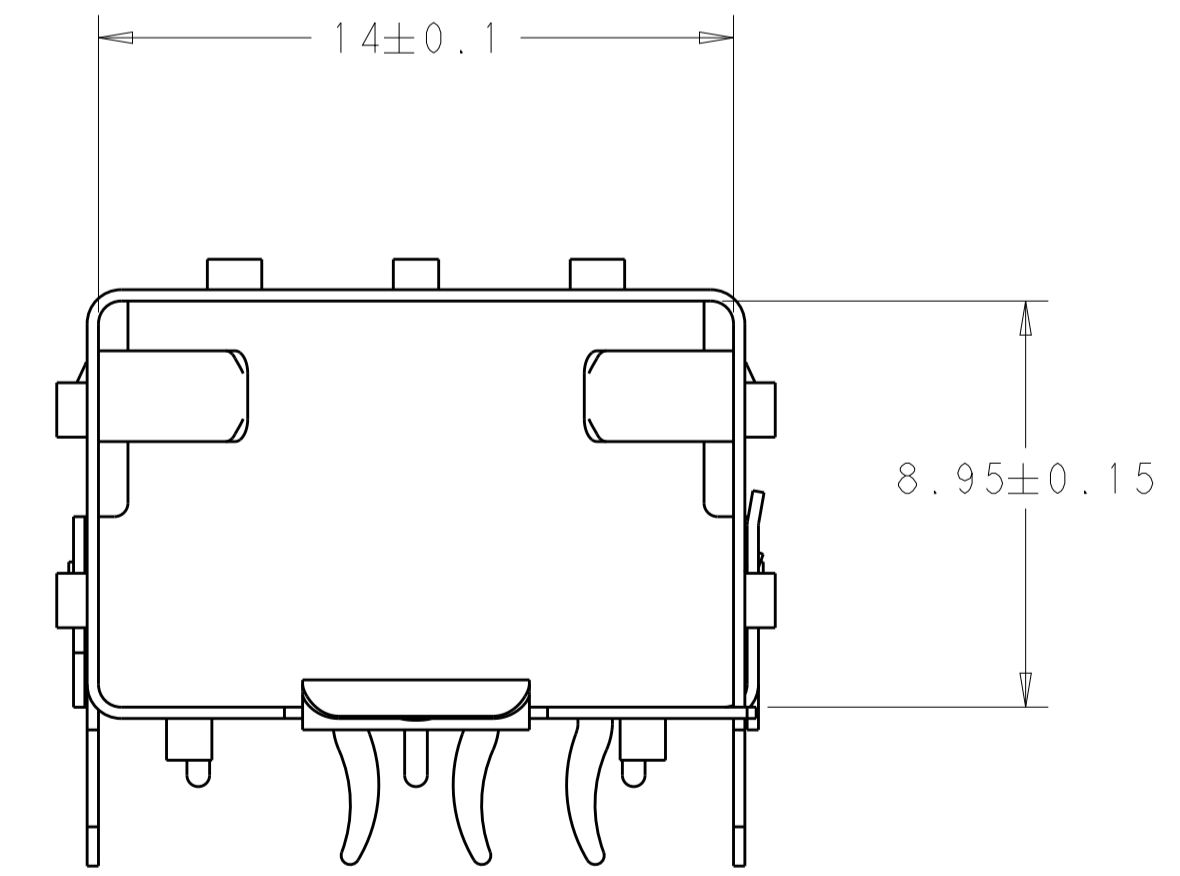
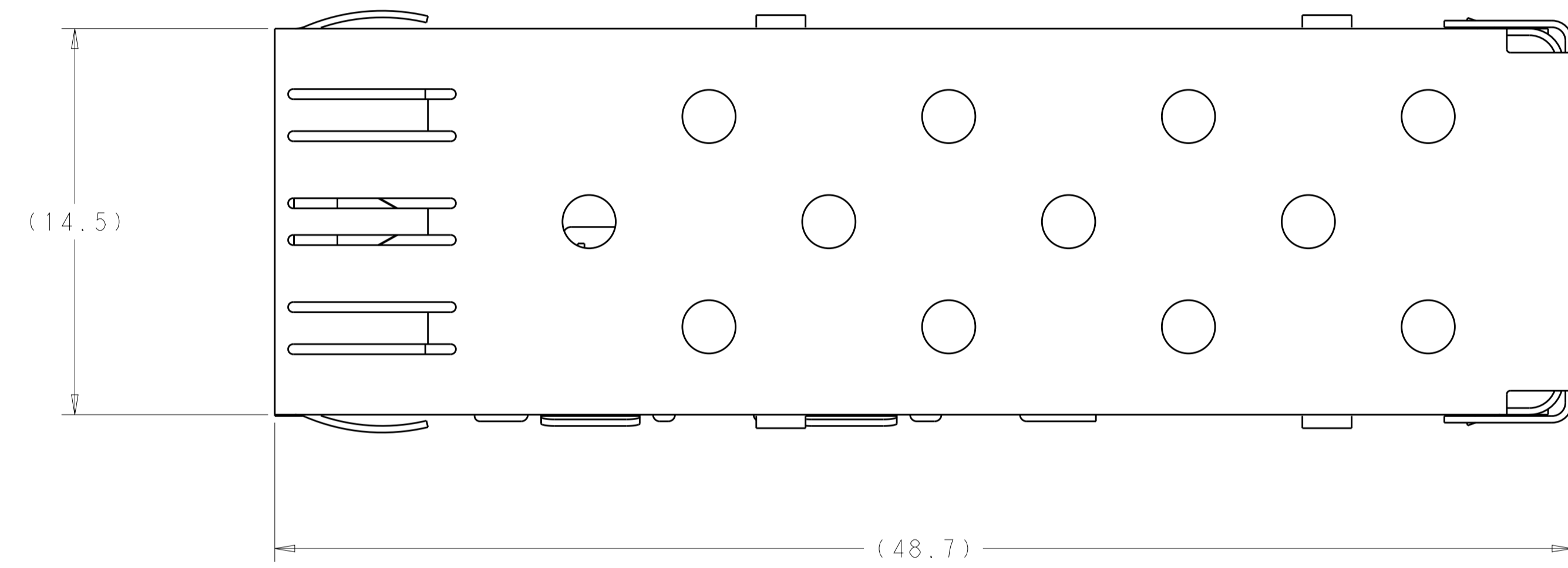


LOC	DIST	REVISIONS					
		P	LTN	DESCRIPTION	DATE	DWN	APVD
GP	00	A		INITIAL RELEASE	20MAY2014	JW	SH
		A1		REVISED PER ECO-15-000822	19JAN2015	JW	SH
		A2		REVISED PER ECO-16-014131	28SEP2016	JW	SH



ISOMETRIC VIEW  
SCALE: 6:1

- 1 MATERIAL: 0.25mm THICK STAINLESS STEEL.
- 2 FINISH: 0.00125mm NICKEL OVER ALL, NON-PLATED EDGES PERMISSIBLE.
- 3. MATES WITH SFP MSA COMPLIANT TRANSCEIVERS.
- 4 PADS AND VIAS CHASSIS GROUND.
- 5 DATUM AND BASIC DIMENSION ESTABLISHED BY CUSTOMER.
- 6. MINIMUM PC BOARD THICKNESS:  
 SINGLE SIDED = 1.50 mm  
 DOUBLE SIDED = 3.00 mm
- 7 REFERENCE APPLICATION SPEC. 114-13120, HOLE A, FOR RECOMMENDED DRILL HOLE DIAMETER AND PLATING THICKNESS(EXCEPT IMMERSION SILVER PLATING).
- 8 REFERENCE APPLICATION SPEC. 114-13120, HOLE C, FOR RECOMMENDED DRILL HOLE DIAMETER AND PLATING THICKNESS(EXCEPT IMMERSION SILVER PLATING).
- 9. THE RECOMMENDED DIMENSIONS FOR HOLES ON PAGE 2/2 ARE NOT COMPATIBLE WITH IMMERSION SILVER PLATING HOLES BECAUSE OF OVERLARGE INSERTION FORCE.
- 10 ESD PROTECTION TRAY PACKAGE.



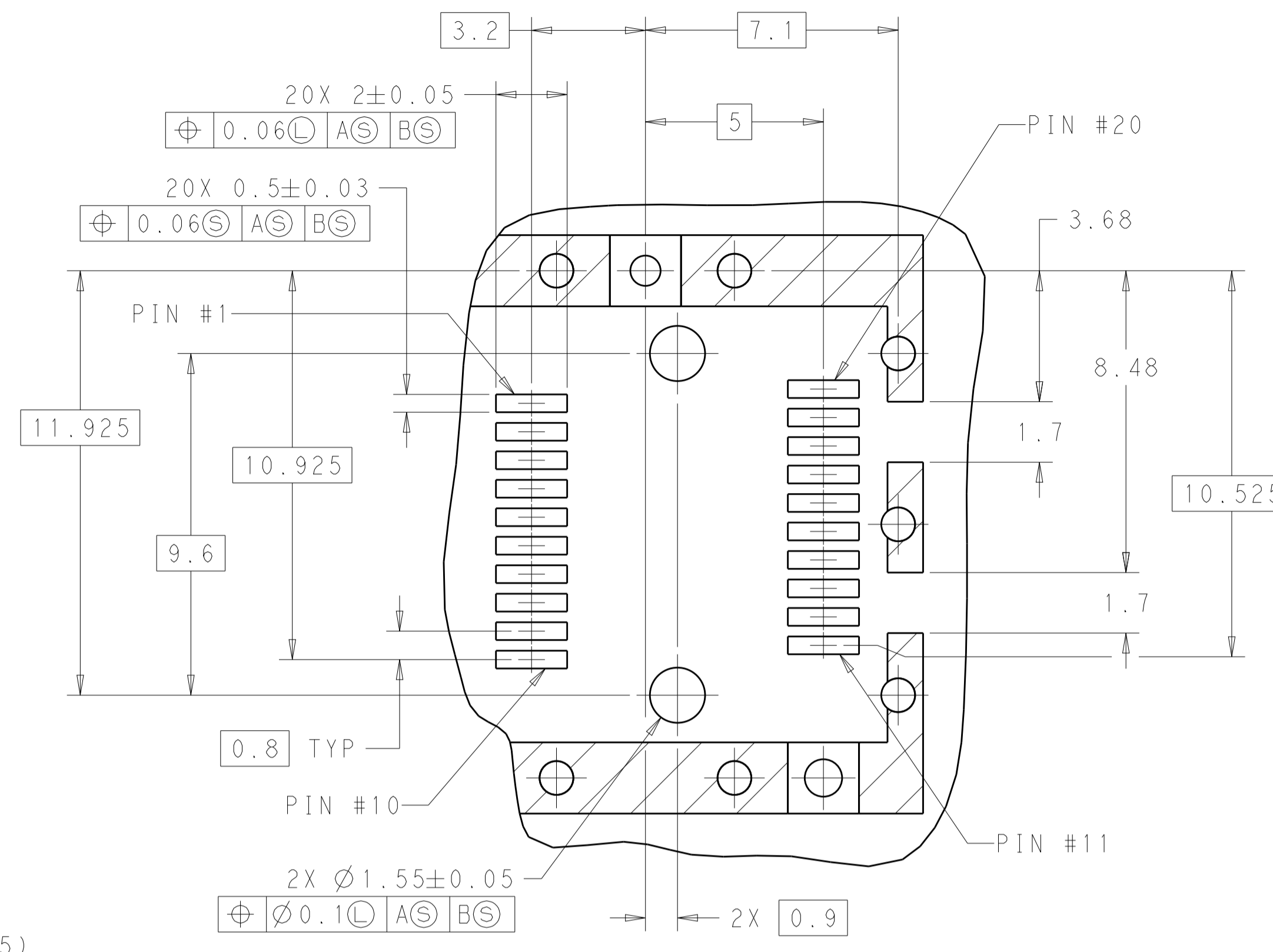
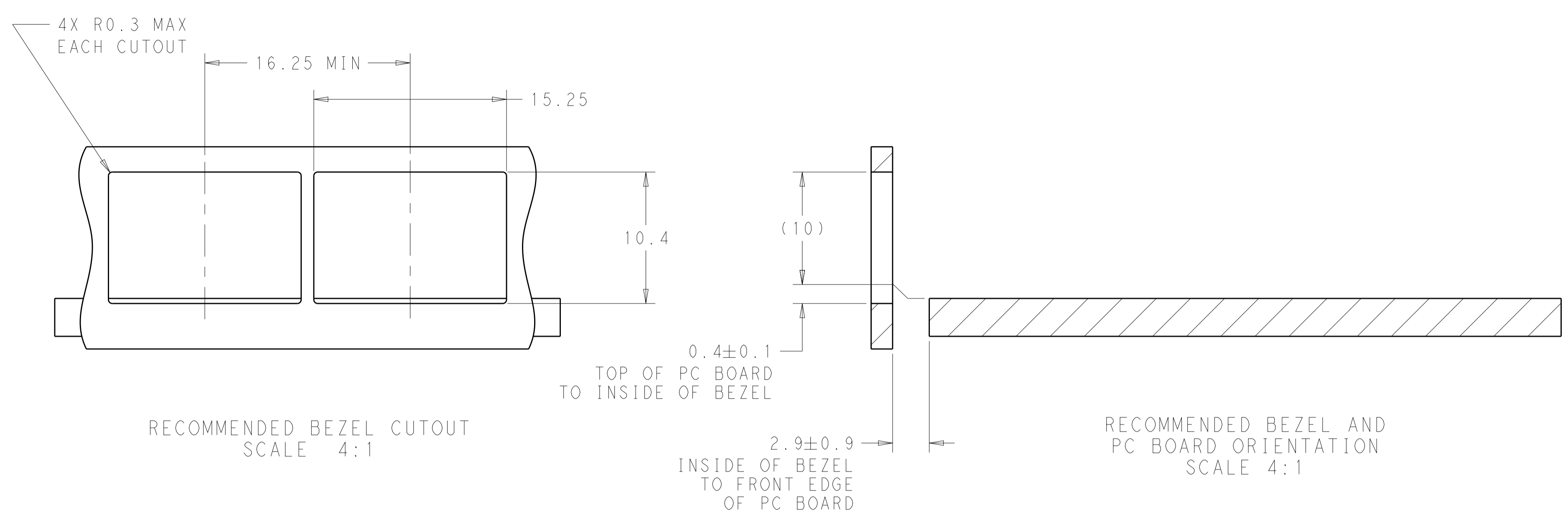
2227302-3  
 2227302-1  
 PART NUMBER

THIS DRAWING IS A CONTROLLED DOCUMENT. DIMENSIONING AND TOLERANCING PER ASME Y14.5M-2009		DWN C. VALENTINE 07NOV2012	TE Connectivity NAME SFP, 1X1 SINGLE PIECE CAGE, 11 PRESS FIT
DIMENSIONS: mm		CHK M. SCHMITT 07NOV2012	
TOLERANCES UNLESS OTHERWISE SPECIFIED:		APVD M. SCHMITT 07NOV2012	PRODUCT SPEC 108-1950
0 PLC	±0.1	APPLICATION SPEC 114-13120	SIZE A1
1 PLC	±0.1	WEIGHT	CAGE CODE 00779
2 PLC	±0.1	FINISH	DRAWING NO 2227302
3 PLC	±0.1		RESTRICTED TO
4 PLC	±0.1		SCALE 6:1
ANGLES	±°		SHEET 1 OF 2
MATERIAL		Customer Drawing	REV A2

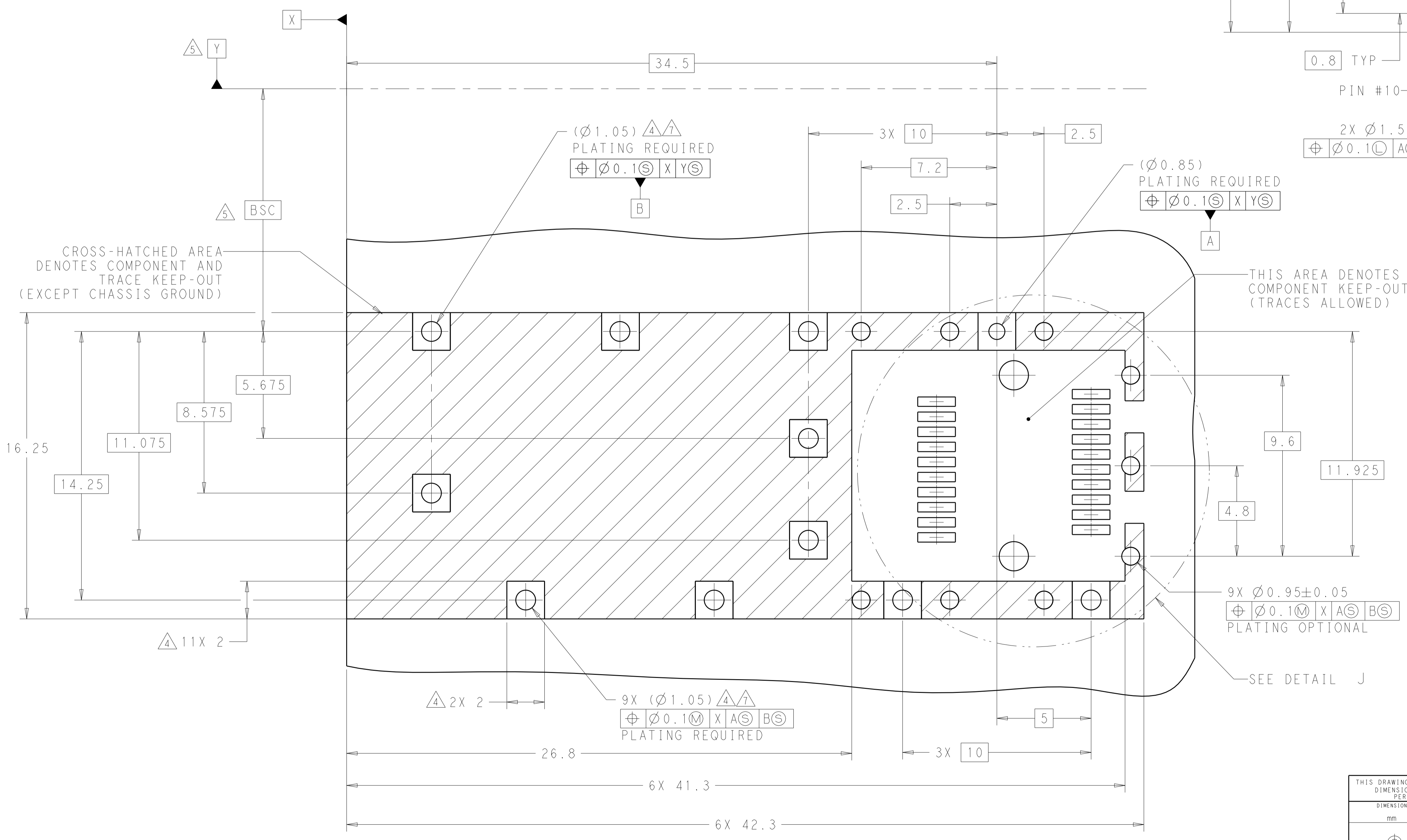
LOC	DIST	REV	DATE	APPV
GP	00			

REVISIONS				
REV	DATE	APPV	DESCRIPTION	BY
-	-	-	SEE SHEET 1	-



DETAIL J SCALE 8:1



THIS DRAWING IS A CONTROLLED DOCUMENT. DIMENSIONING AND TOLERANCING PER ASME Y14.5M-2009		DWN: C. VALENTINE 07NOV2012 CHK: M. SCHMITT 07NOV2012 APPV: M. SCHMITT 07NOV2012	TE Connectivity	
DIMENSIONS: mm		PRODUCT SPEC: 108-1950	NAME: SFP, 1X1 SINGLE PIECE CAGE, 11 PRESS FIT	
TOLERANCES UNLESS OTHERWISE SPECIFIED:		APPLICATION SPEC: 114-13120	SIZE: A1	
MATERIAL: -		WEIGHT: -	CAGE CODE: 2227302	
FINISH: -		SCALE: 1:1		SHEET 2 OF 2
CUSTOMER DRAWING		REV: A2		

# Mouser Electronics

Authorized Distributor

Click to View Pricing, Inventory, Delivery & Lifecycle Information:

[TE Connectivity:](#)

[2227302-1](#)