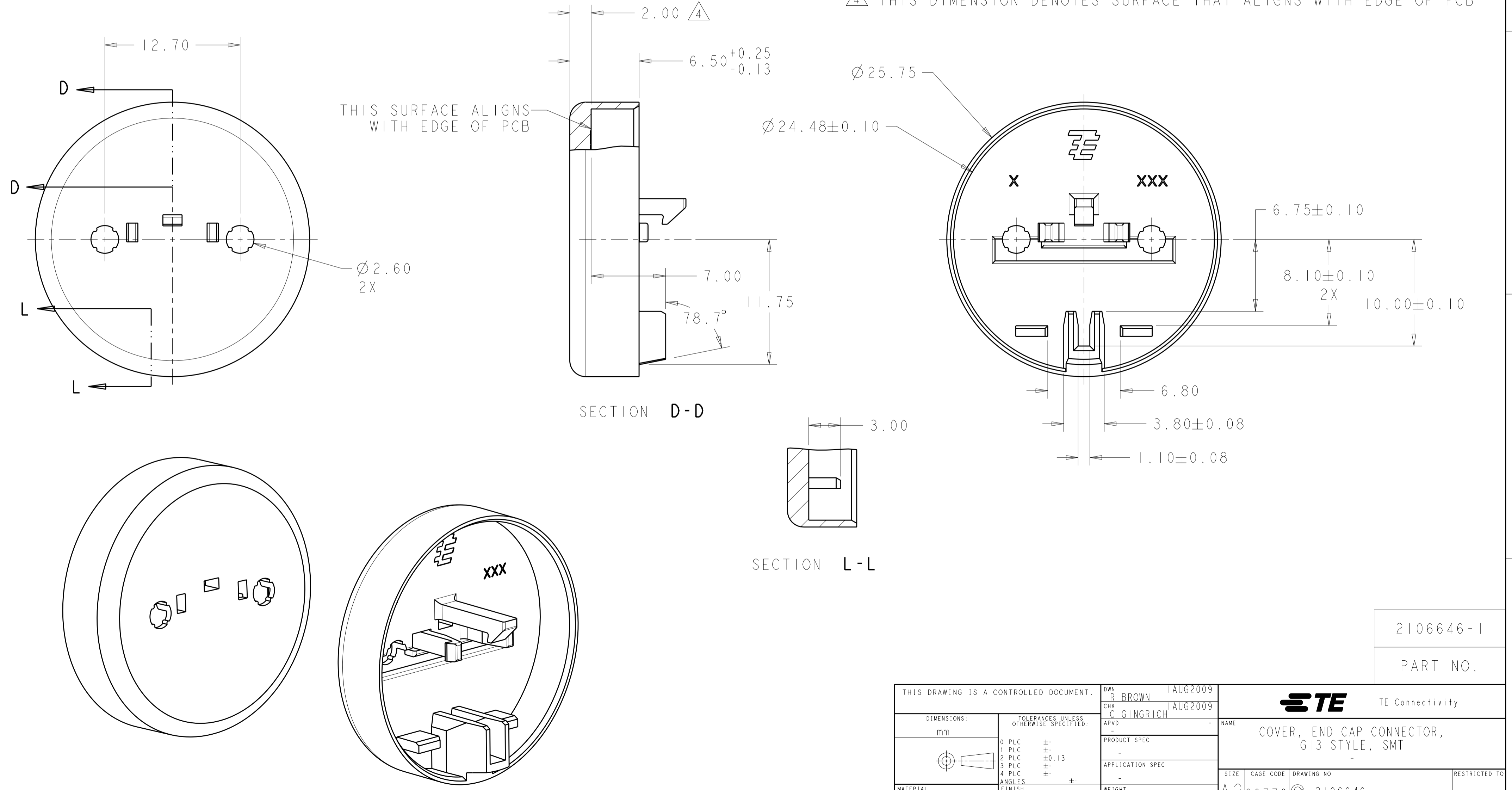


THIS DRAWING IS UNPUBLISHED. RELEASED FOR PUBLICATION 20
 © COPYRIGHT 20 BY - ALL RIGHTS RESERVED.

REVISIONS				
P	LTR	DESCRIPTION	DATE	APVD
	AI	REVISED PER ECO-11-004820	11MAR2011	RK HMR

- △ MATERIAL: PBT. COLOR: NATURAL
- 2. THIS PRODUCT HAS NOT COMPLETED VALIDATION TESTING
- 3. MUST COMPLY WITH DIRECTIVE 2002/95/EC (ROHS)
- △ THIS DIMENSION DENOTES SURFACE THAT ALIGNS WITH EDGE OF PCB



2106646-1
 PART NO.

THIS DRAWING IS A CONTROLLED DOCUMENT.		DWN R. BROWN 11AUG2009	TE Connectivity	
		CHK C. GINGRICH 11AUG2009		
DIMENSIONS: mm		APVD -		NAME COVER, END CAP CONNECTOR, G13 STYLE, SMT
TOLERANCES UNLESS OTHERWISE SPECIFIED: 0 PLC ±- 1 PLC ±- 2 PLC ±0.13 3 PLC ±- 4 PLC ±- ANGLES ±- FINISH		PRODUCT SPEC -		RESTRICTED TO -
MATERIAL △ -		APPLICATION SPEC -		SIZE A200779
		WEIGHT -		DRAWING NO C-2106646
		CUSTOMER DRAWING		SCALE 4:1 SHEET 1 OF 1 REV AI

Mouser Electronics

Authorized Distributor

Click to View Pricing, Inventory, Delivery & Lifecycle Information:

[TE Connectivity:](#)

[2106646-1](#)