



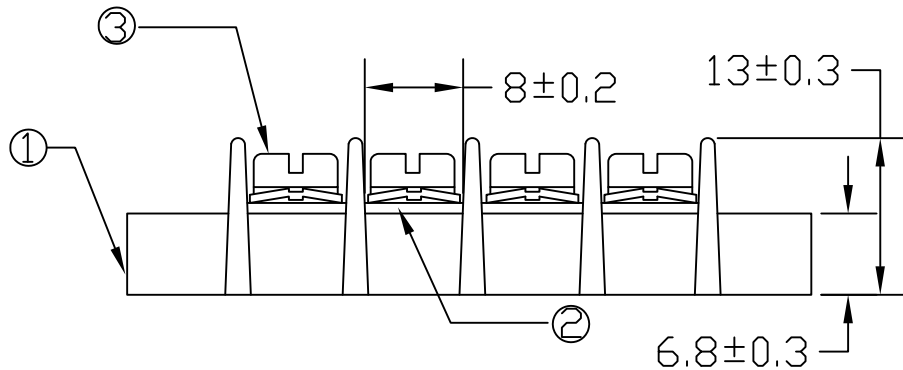
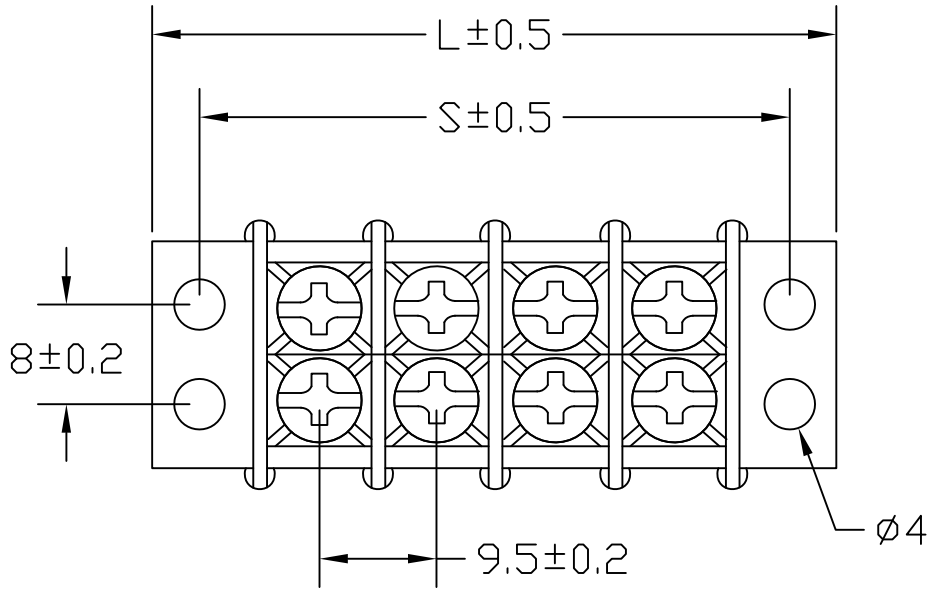
ALL RIGHTS RESERVED. NO PORTION OF THIS PUBLICATION, WHETHER IN WHOLE OR IN PART CAN BE REPRODUCED WITHOUT THE EXPRESS WRITTEN CONSENT OF SPC TECHNOLOGY.

SPC-F005.DWG

REVISIONS

DOC. NO. SPC-F005 * Effective: 7/8/02 * DCP No: 1398

DCP #	REV	DESCRIPTION	DRAWN	DATE	CHECKD	DATE	APPRVD	DATE
2000	A	Released	JN	01/14/09	JWM	01/14/09	JWM	01/14/09
2065	B	Part Added	JN	8-13-09	JN	8-13-09	JN	8-13-09



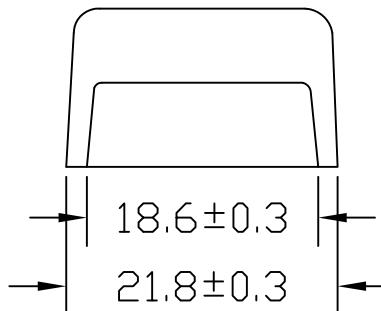
Description:

- Current Rating: 20Amp AC300V
- Insulation withstands Volt: AC200V min.
- Insulation resistance: >2000MΩ DC500V
- Operating temperature: -40°C to +105°C
- Wire range: 14~22 AWG
- Screw torque: 12 lb-inch
- Pitch: 9.50mm (0.374 inches)



Item	Material	Plating/Finish
1	Insulating Body, PC	Black
2	Terminal, Brass	Tin Plated
3	Screw, Steel	Ni Plated

Mfg. p/n	Number of Poles	L (mm)	S (mm)
MC24309	2	36.2	28.7
MC24310	3	45.7	38.2
MC24311	4	55.2	47.7
MC24312	5	64.7	57.2
MC24313	6	74.2	66.7
MC24314	7	83.7	76.2
MC24315	8	93.2	85.7
MC24316	9	103	95.2
MC24317	10	112	105
MC24318	12	131	124
MC24319	14	150	143
MC24320	15	160	152
MC24321	16	169	162
MC24322	18	188	181
MC24323	20	207	200
MC24324	24	245	238
MC24325	25	255	247
MC24326	30	302	295



DISCLAIMER:
ALL STATEMENTS AND TECHNICAL INFORMATION CONTAINED HEREIN ARE BASED UPON INFORMATION AND/OR TESTS WE BELIEVE TO BE ACCURATE AND RELIABLE. SINCE CONDITIONS OF USE ARE BEYOND OUR CONTROL, THE USER SHALL DETERMINE THE SUITABILITY OF THE PRODUCT FOR THE INTENDED USE AND ASSUME ALL RISK AND LIABILITY WHATSOEVER IN CONNECTION THEREWITH.

TOLERANCES:
UNLESS OTHERWISE SPECIFIED, DIMENSIONS ARE FOR REFERENCE PURPOSES ONLY.

DRAWN BY:	DATE:
Jason Nash	01/14/09
CHECKED BY:	DATE:
JWM	01/14/09
APPROVED BY:	DATE:
JWM	01/14/09

DRAWING TITLE:			
TERMINAL BLOCK			
SIZE	DWG. NO.	ELECTRONIC FILE	REV
A	Ta-1141	Ta-1141.DWG	B
SCALE: NTS	U.O.M.: INCHES [mm]	SHEET: 1 OF 1	