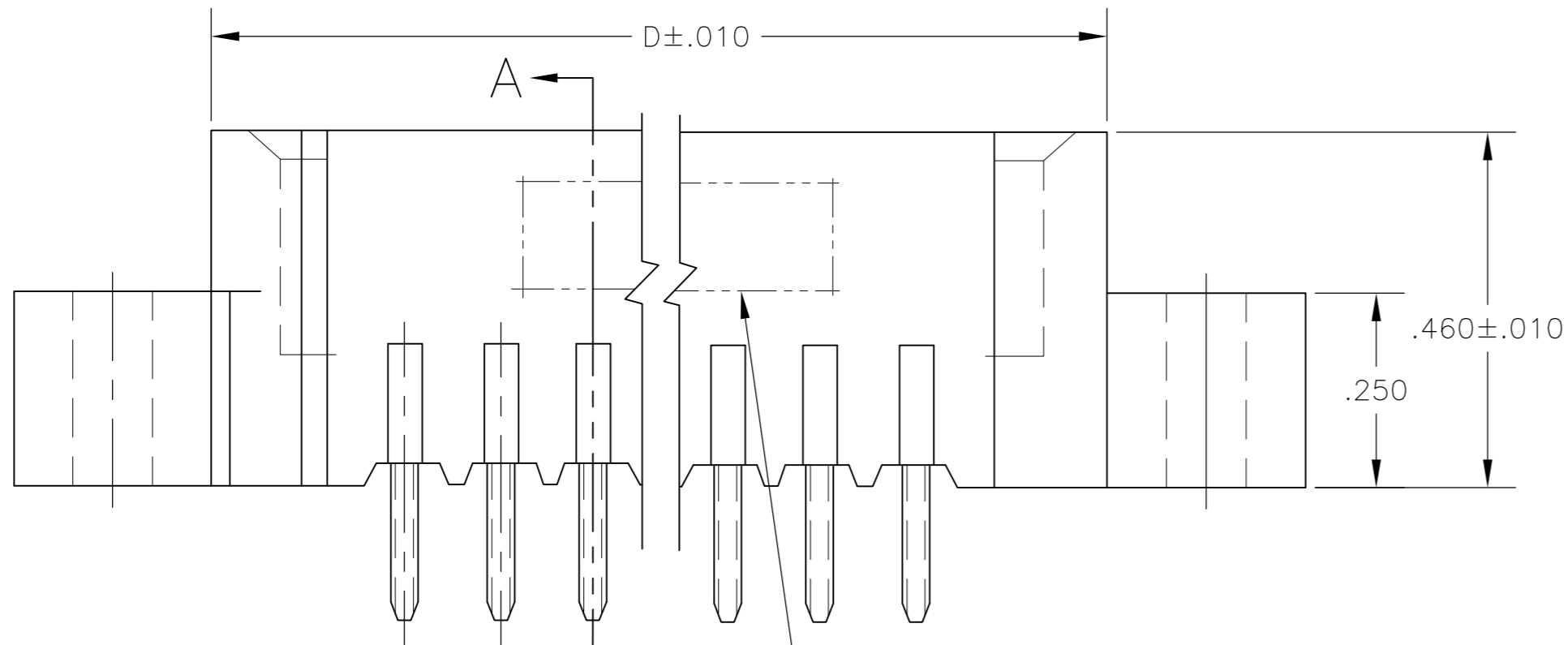
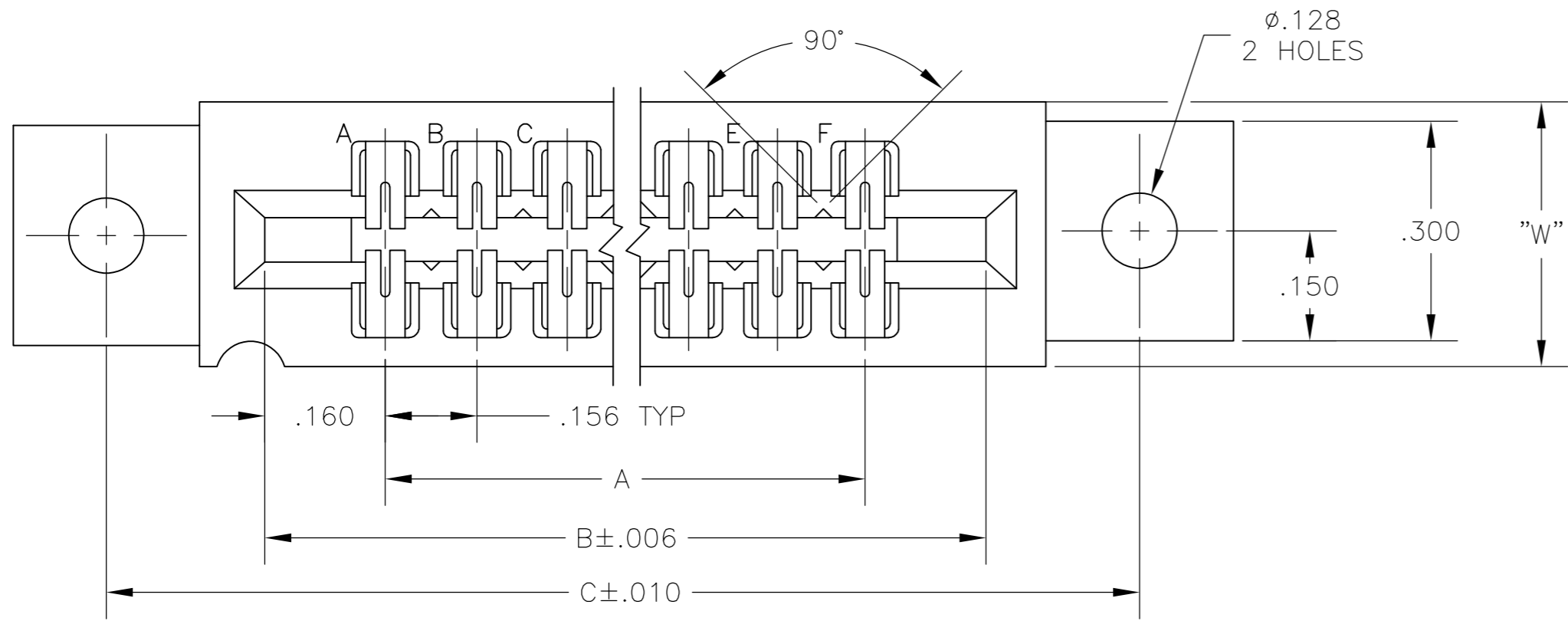
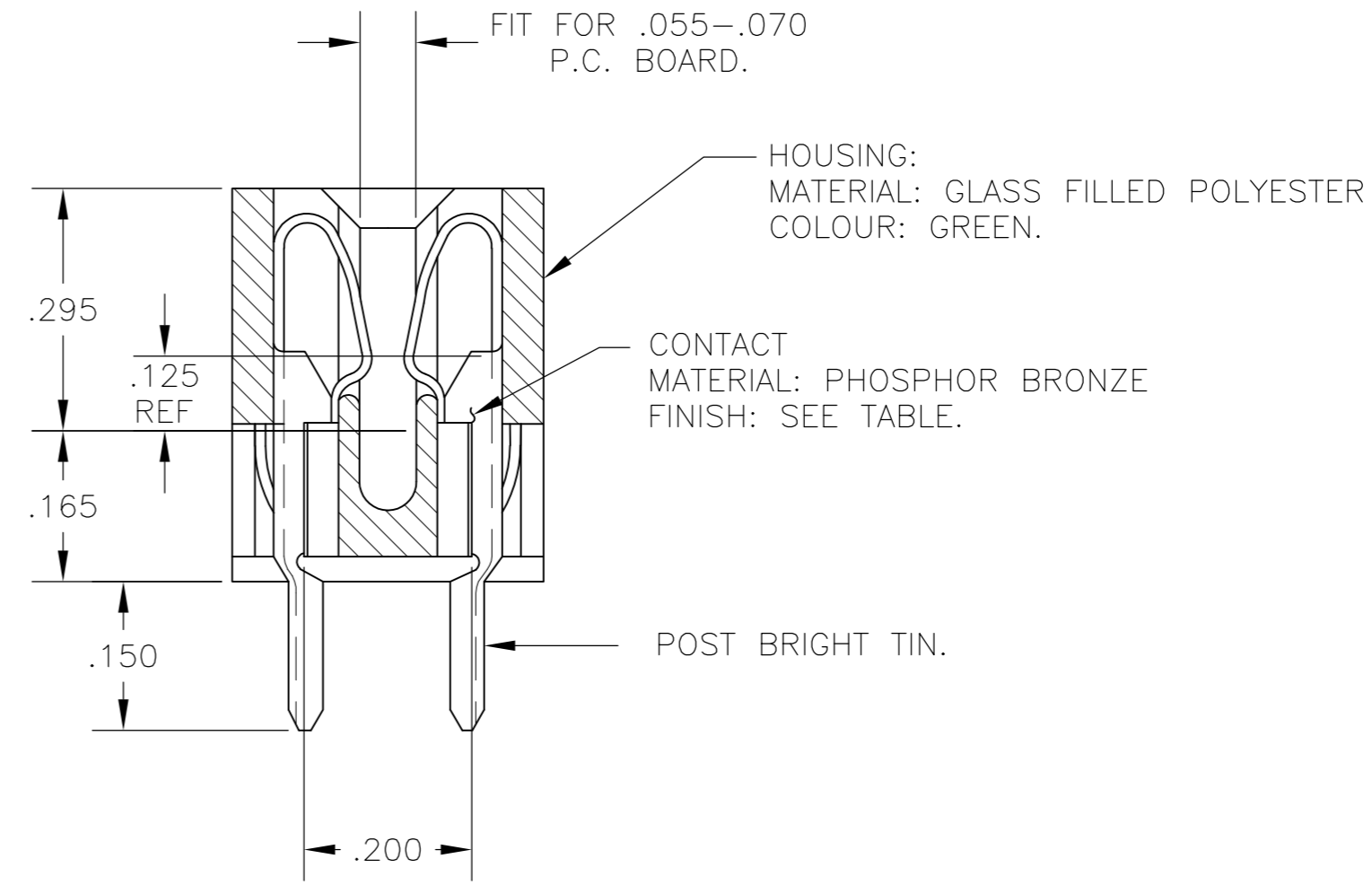


THIS DRAWING IS UNPUBLISHED. RELEASED FOR PUBLICATION
 © COPYRIGHT - By - ALL RIGHTS RESERVED.

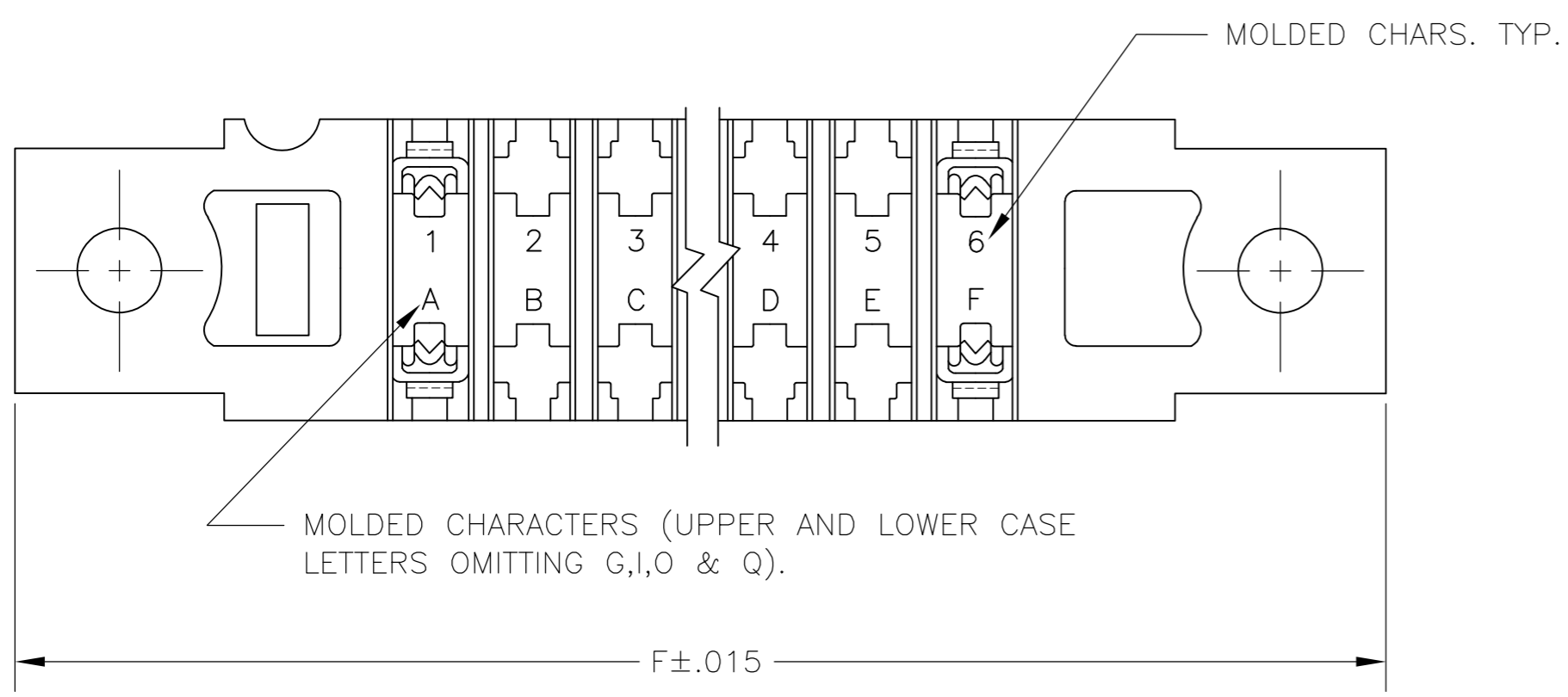
LOC		DIST		REVISIONS			
P	LTR	DESCRIPTION	DATE	DWN	APVD		
AD	00	M3	REVISED PER ECO-14-005916	22APR2014	NK	MM	



"AMP" PART NO & DATE CODE
 INK STAMPED WHITE OR
 HOT STAMP (NO WHITE TAPE)
 IN THIS AREA (SIDE OPTIONAL)



SECTION A-A



THIS DRAWING IS A CONTROLLED DOCUMENT.		DWN	19MAR75	TE TE Connectivity	
DIMENSIONS: INCHES		CHK	20MAR75		
TOLERANCES UNLESS OTHERWISE SPECIFIED:		APVD	20MAR75	NAME	
0 PLC ± -		PRODUCT SPEC		HOUSING ASSY, LOW PROFILE, EDGE CONNECTOR, FLOW SOLDER, FOR .052 DIA. HOLE, .156X.200 CENTERS.	
1 PLC ± -		APPLICATION SPEC		SIZE	RESTRICTED TO
2 PLC ± -		WEIGHT		A2	
3 PLC ± .005		CUSTOMER DRAWING		CAGE CODE	DRAWING NO
4 PLC ± -		SCALE		00779	C=530655
4 ANGLES ± -		SHEET		1 of 2	
FINISH		REV		M3	
SEE CALL-OUT		SCALE 4:1			

530655

THIS DRAWING IS UNPUBLISHED. RELEASED FOR PUBLICATION
 © COPYRIGHT - By - ALL RIGHTS RESERVED.

LOC		DIST		REVISIONS			
P	LTR	DESCRIPTION	DATE	DWN	APVD		
AD	00						
		SEE SHEET 1					

- ① .000015 MIN GOLD OVER .000050 MIN. NICKEL IN CONTACT AREA.
- ② .000030 MIN GOLD OVER .00005 MIN. NICKEL IN CONTACT AREA.
- ③ SELECTIVELY LOADED, OMIT CONTACTS IN CIRCUIT CAVITIES 14,16,18,S AND U
- ④ ALL PARTS ASSEMBLED IN MEXICO MUST BE STAMPED "ASSY IN MEXICO" THE WORD "MEXICO" CAN BE SUBSTITUTED ONLY WHERE PART SIZE PROHIBTS STAMPING "ASSY IN MEXICO", INK STAMP COLOUR WHITE OR HOT STAMP (NO WHITE TAPE) 115-9009, APPROX. WHERE SHOWN, SIDE OPTIONAL.
- ⑤ MATTE TIN PLATED CONTACT TAILS.
- ⑥ OBSOLETE PARTS: OBSOLETE CIS STREAMLINING PER D.RENAUD/D.SINISI

⑤										⑥	
⑤	-	43	6.552	6.872	7.307	7.012	.437	7.557	⑥	8-530655-3	
⑤	-	28	4.212	4.532	4.967	4.672	.370	5.217	⑥	8-530655-2	
⑤	-	36	5.460	5.780	6.215	5.920	.437	6.465	⑥	8-530655-0	
⑤	-	30	4.524	4.844	5.279	4.984	.437	5.529		7-530655-9	
⑤	-	22	3.276	3.596	4.031	3.736	.370	4.281		7-530655-6	
⑤	-	18	2.652	2.972	3.407	3.112	.370	3.657		7-530655-5	
⑤	-	15	2.184	2.504	2.939	2.644	.370	3.189		7-530655-4	
⑤	-	12	1.716	2.036	2.471	2.176	.370	2.721		7-530655-3	
⑤	-	10	1.404	1.724	2.159	1.864	.370	2.409		7-530655-2	
⑤	-	6	.780	1.100	1.535	1.240	.370	1.785		7-530655-1	
	-	18	2.652	2.972	3.407	3.112	.370	3.657		3-530655-4	
	1-530655-3	43	6.552	6.872	7.307	7.012	.437	7.557		3-530655-3	
	1-530655-2	28	4.212	4.532	4.967	4.672	.370	5.217		3-530655-2	
	1-530655-1	44	6.708	7.028	7.463	7.168	.437	7.713		3-530655-1	
	1-530655-0	36	5.460	5.780	6.215	5.920	.437	6.465		3-530655-0	
	530655-9	30	4.524	4.844	5.279	4.984	.437	5.529	⑥	2-530655-9	
	530655-8	25	3.744	4.064	4.499	4.204	.370	4.749		2-530655-8	
	530655-7	24	3.588	3.908	4.343	4.048		4.593		2-530655-7	
	530655-6	22	3.276	3.596	4.031	3.736		4.281		2-530655-6	
	530655-5	18	2.652	2.972	3.407	3.112		3.657		2-530655-5	
	530655-4	15	2.184	2.504	2.939	2.644		3.189		2-530655-4	
	530655-3	12	1.716	2.036	2.471	2.176		2.721		2-530655-3	
	530655-2	10	1.404	1.724	2.159	1.864		2.409		2-530655-2	
	530655-1	6	.780	1.100	1.535	1.240		1.785		2-530655-1	
① PART NO	NO.OF. POSITION	A	B	C	D	W	F	② PART NO			

OBSOLETE

THIS DRAWING IS A CONTROLLED DOCUMENT.		DWN	19MAR75	STE TE Connectivity
		CHK	20MAR75	
DIMENSIONS: INCHES		APVD	20MAR75	NAME
TOLERANCES UNLESS OTHERWISE SPECIFIED:		PRODUCT SPEC		
		APPLICATION SPEC		SIZE CAGE CODE DRAWING NO RESTRICTED TO
MATERIAL SEE CALL-OUT		WEIGHT		
FINISH SEE CALL-OUT		CUSTOMER DRAWING		A2 00779 C=530655
		SCALE	1:1	SHEET 2 of 2
		REV	M3	