

Type 2 surge protection plug - VAL-MS 600PV ST - 2805431

Please be informed that the data shown in this PDF Document is generated from our Online Catalog. Please find the complete data in the user's documentation. Our General Terms of Use for Downloads are valid (<http://phoenixcontact.com/download>)



Replacement plug for PV arrester combinations of the VAL-MS 600DC... product range



Key Commercial Data

Packing unit	1 pc
Weight per Piece (excluding packing)	60.0 g
Custom tariff number	85363010
Country of origin	Germany

Technical data

Dimensions

Height	52.4 mm
Width	17.5 mm
Depth	55.3 mm

Ambient conditions

Degree of protection	IP20
Ambient temperature (operation)	-40 °C ... 80 °C

General

Housing material	PA 6.6
Flammability rating according to UL 94	V0
Color	black
Standards for clearances and creepage distances	IEC 60664-1
	DIN EN 61643-11
Mounting type	On base element
Type	Male
Number of positions	1

Type 2 surge protection plug - VAL-MS 600PV ST - 2805431

Technical data

General

Surge protection fault message	optical
Direction of action	1L-N/PE

Protective circuit

IEC test classification	II
	T2
EN type	T2
Maximum continuous operating voltage U_c	385 V AC
Nominal frequency f_N	50 Hz (60 Hz)
Residual current I_{PE}	$\leq 450 \mu A$
Standby power consumption P_c	$\leq 175 \text{ mVA}$
Max. discharge current I_{max} (8/20) μs	40 kA
Nominal discharge current I_n (8/20) μs	20 kA
Max. energy absorption (2 ms)	800 J
Voltage protection level U_p	$\leq 1.8 \text{ kV}$
Residual voltage	$\leq 1.8 \text{ kV}$
	$\leq 1.35 \text{ kV}$ (at 5 kA)
	$\leq 1.3 \text{ kV}$ (at 3 kA)
Response time t_A	$\leq 25 \text{ ns}$
Max. backup fuse with branch wiring	125 A (gL / gG)
Short-circuit resistance I_p with max. backup fuse (effective)	25 kA
Capacity	2.2 nF $\pm 30 \%$

Connection, protective circuit

Connection method	FLASHTRAB/VALVETRAB plug-in system connector
-------------------	--

Standards and Regulations

Standards/regulations	IEC 61643-1 2005
	DIN EN 61643-11/A11 2007
	UL 1449 ed. 2 1996
	IEEE C62.1 / C62.34 / C62.45

Classifications

eCl@ss

eCl@ss 4.0	27140201
eCl@ss 4.1	27130801
eCl@ss 5.0	27130801

Type 2 surge protection plug - VAL-MS 600PV ST - 2805431

Classifications

eCl@ss

eCl@ss 5.1	27130801
eCl@ss 6.0	27130805
eCl@ss 7.0	27130805

ETIM

ETIM 2.0	EC000941
ETIM 3.0	EC000941
ETIM 4.0	EC000941
ETIM 5.0	EC000941

UNSPSC

UNSPSC 6.01	30212010
UNSPSC 7.0901	39121610
UNSPSC 11	39121610
UNSPSC 12.01	39121610
UNSPSC 13.2	39121620

Accessories

Accessories

Device marking

Zack marker strip - ZBN 18:UNBEDRUCKT - 2809128



Zack marker strip, Strip, white, unlabeled, can be labeled with: Plotter, Mounting type: Snap into tall marker groove, for terminal block width: 18 mm, Lettering field: 18 x 5 mm

Labeled device marker

Marker for terminal blocks - ZBN 18,LGS:ERDE - 2749589



Marker for terminal blocks, Strip, white, labeled, Horizontal: Grounding symbol, Mounting type: Snap into tall marker groove, for terminal block width: 18 mm, Lettering field: 18 x 5 mm

Marker pen

Type 2 surge protection plug - VAL-MS 600PV ST - 2805431

Accessories

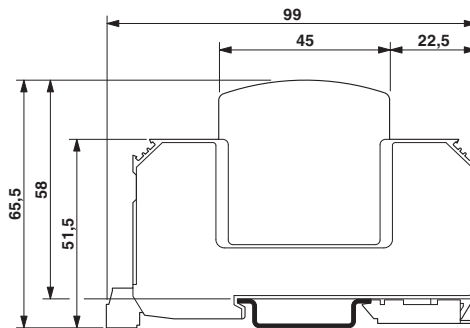
Marker pen - B-STIFT - 1051993



Marker pen, for manual labeling of unprinted Zack strips, smear-proof and waterproof, line thickness 0.5 mm

Drawings

Dimensional drawing



Mouser Electronics

Authorized Distributor

Click to View Pricing, Inventory, Delivery & Lifecycle Information:

[Phoenix Contact:](#)

[2805431](#)