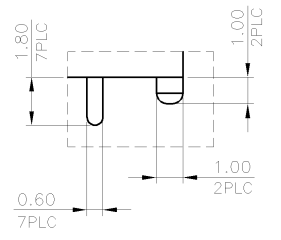
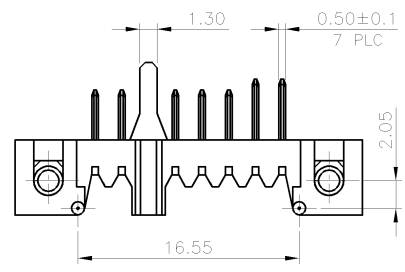
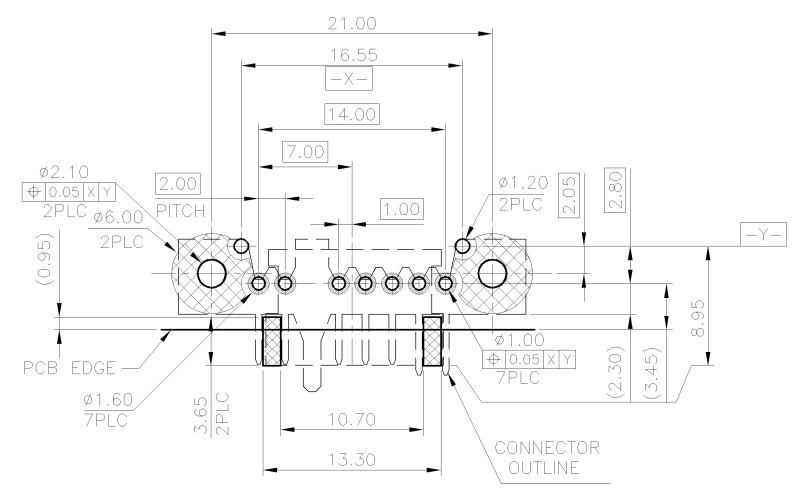
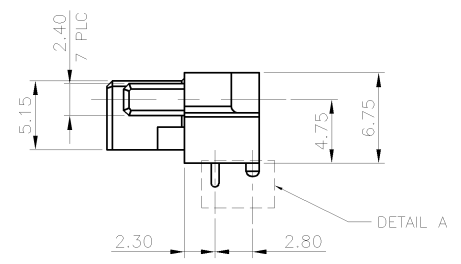
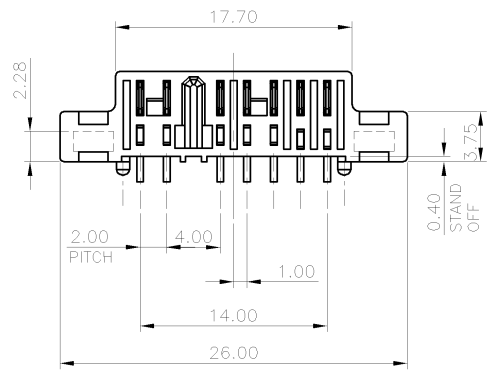
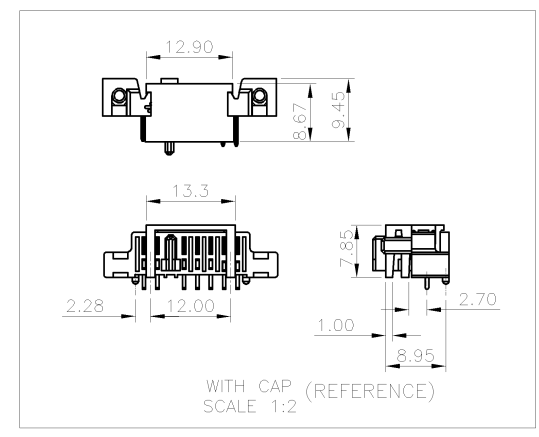
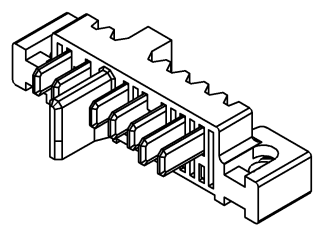
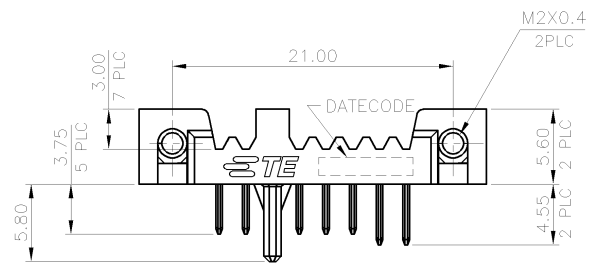


THIS DRAWING IS UNPUBLISHED. RELEASED FOR PUBLICATION
 © COPYRIGHT 2011 BY TYCO ELECTRONICS CORPORATION. ALL RIGHTS RESERVED.

| LOC | | DIST | | REVISIONS | | | | | |
|-----|--|------|--|-----------|-----|-------------|---------|-----|------|
| DW | | | | P | LTR | DESCRIPTION | DATE | DWN | APVD |
| | | | | A | | RELEASED | 31JAN12 | JL | WK |



☒ CAP STAND AREA & KEEP OUT AREA
 RECOMMENDED P.C.B LAYOUT <TOP VIEW>
 THICKNESS: 1.20mm, TOLERANCE: ±0.05mm

2041438-1
 PART NUMBER

- NOTE:
 1.MATERIAL:
 1.1.HOUSING/CAP: LCP WITH 50% GF, UL 94V-0, COLOR: BLACK
 1.2.CONTACT: BRASS
 1.3.NUTS: STEEL
 2.FINISH:
 CONTACT: GOLD FLASH PLATED ON CONTACT AREA
 2.54um[100u"] MIN. MATTE-TIN ON SOLDER TAIL
 1.27um[50u"] MIN. NICKEL UNDERPLATE OVERALL
 3.REFLOW SOLDER CAPABLE TO 260°C PER TEST SPEC TEC-109-201
 4. LOW HALOGEN SPECIFICATION
 CHLORINE(CL): 900 ppm MAX.
 BROMINE(BR): 900 ppm MAX.
 CL + BR : 1500 ppm MAX.

| | | | | | |
|---|--|--------------------------------|---|--|-------------------------|
| THIS DRAWING IS A CONTROLLED DOCUMENT. | | DWN J. LAI 31JAN2012 | TE Connectivity | | |
| DIMENSIONS: mm | | CHK S. CHIEN 31JAN2012 | BATTERY CONNECTOR, 2.0MM PITCH, PLUG, 4.75CH, R/A TYPE | | |
| TOLERANCES UNLESS OTHERWISE SPECIFIED: 0 PLC ± - 1 PLC ± 0.3 2 PLC ± 0.2 3 PLC ± 0.15 4 PLC ± - 4 PLG ANGLES ± - ± 3' | | APVD W. KODAMA 31JAN2012 | NAME | | |
| MATERIAL SEE NOTE | | PRODUCT SPEC 108-57891 | SIZE A3 | | |
| FINISH SEE NOTE | | APPLICATION SPEC | CAGE CODE 00779 | | DRAWING NO C-2041438 |
| | | WEIGHT 1.77 GRAMS | RESTRICTED TO | | |
| | | CUSTOMER DRAWING | SCALE | | SHEET 1 of 2 REV A |

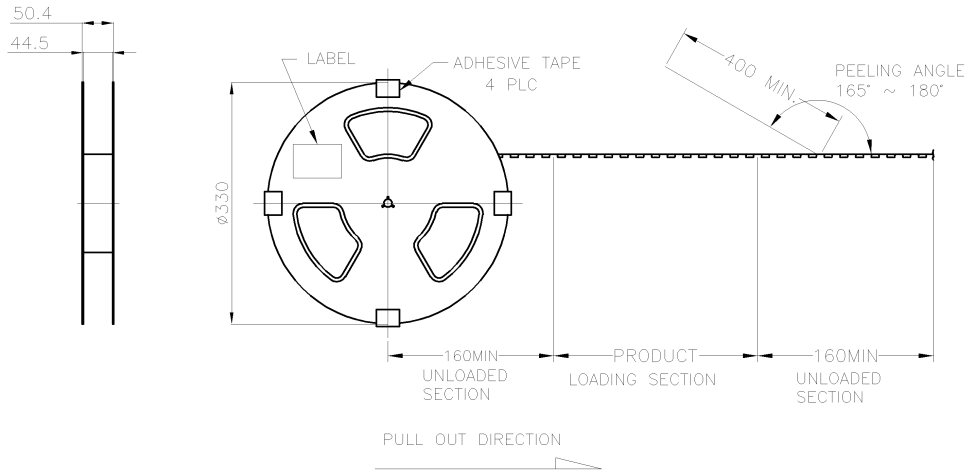
THIS DRAWING IS UNPUBLISHED. RELEASED FOR PUBLICATION

© COPYRIGHT 2011 BY TYCO ELECTRONICS CORPORATION. ALL RIGHTS RESERVED.

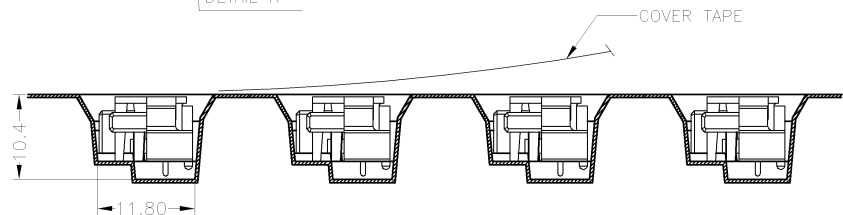
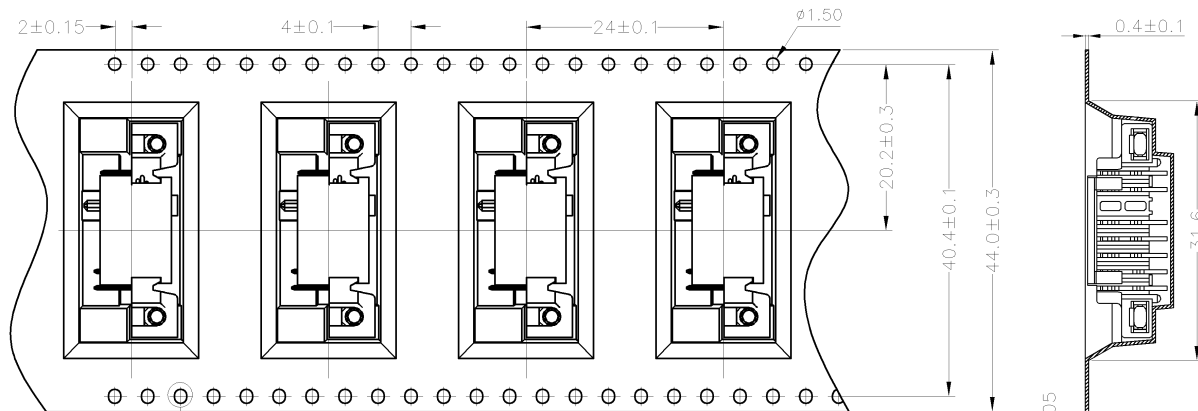
LOC DW
DIST

REVISIONS

| P | LTR | DESCRIPTION | DATE | DWN | APVD |
|---|-----|--------------|------|-----|------|
| | | SEE SHEET 1. | | | |



- MATERIAL :
COVER TAPE : PET, COLOR: TRANSPARENT
CARRIER TAPE : PS, COLOR: TRANSPARENT
REEL : PS
SHIPPING BOX: CORRUGATED FIBER
- PEELING STRENGTH: 0.1~0.7N.
- PEELING SPEED: 300mm/min.



| | | | | | |
|--------------|------------|-----------|-----------|----------|-------------|
| 6.00KG | 2.66KG | 250 | 6 | 1500 | 2041438-1 |
| GROSS WEIGHT | NET WEIGHT | PCS/ REEL | REEL/ BOX | PCS/ BOX | PART NUMBER |

THIS DRAWING IS A CONTROLLED DOCUMENT.

| | | | | | |
|-------------------|--|------------------|------------------|--------------|-------|
| DIMENSIONS: mm | TOLERANCES UNLESS OTHERWISE SPECIFIED: | DWN | CHK | APVD | NAME |
| | 0 PLC ± 1 PLC ±0.3 2 PLC ±0.2 3 PLC ±0.15 4 PLC ± ANGLES ± 3' | PRODUCT SPEC | APPLICATION SPEC | WEIGHT | SIZE |
| MATERIAL | FINISH | CUSTOMER DRAWING | SCALE | SHEET 2 of 2 | REV A |

STE TE Connectivity

BATTERY CONNECTOR,
2.0MM PITCH, PLUG, 4.75CH, R/A TYPE

00779 C=2041438