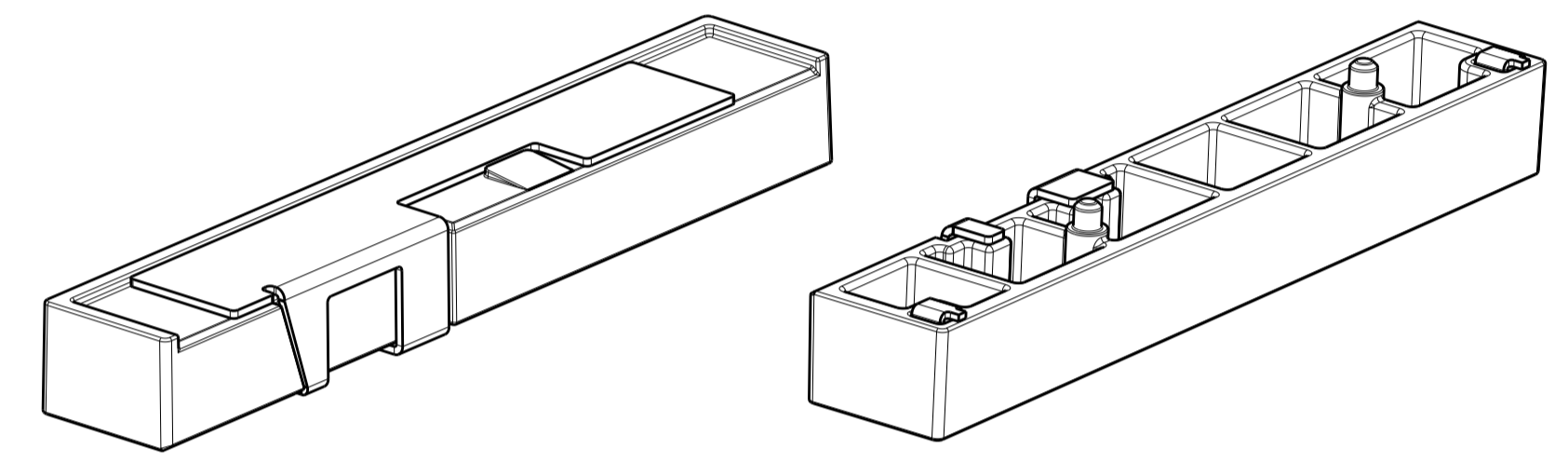
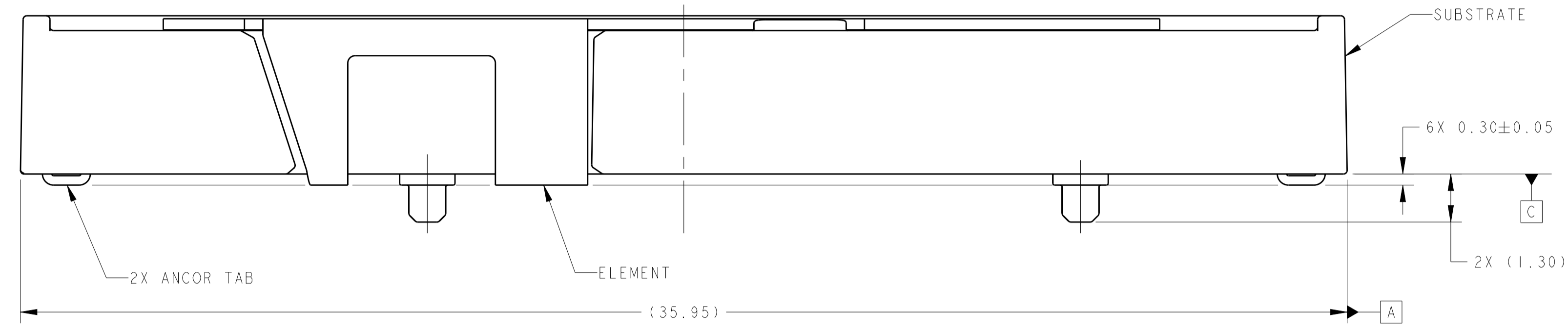
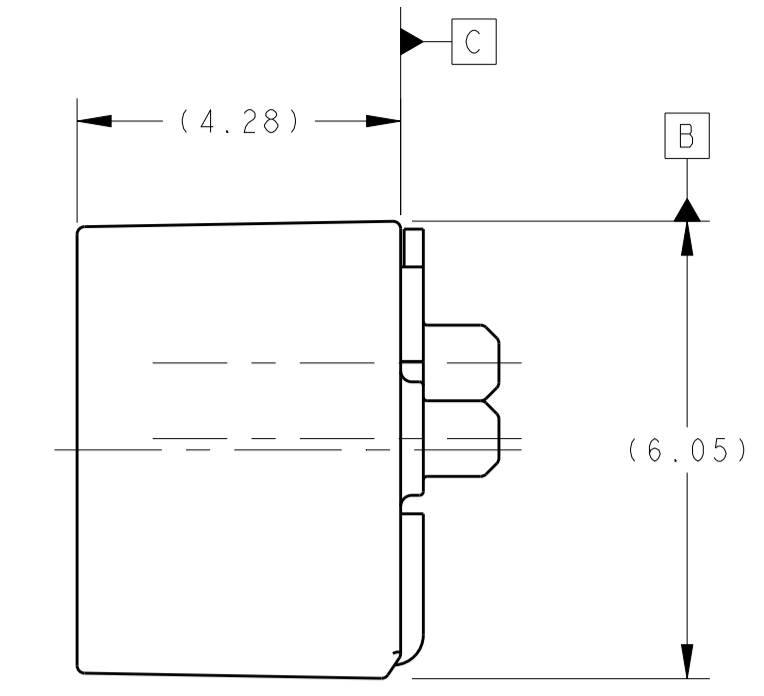
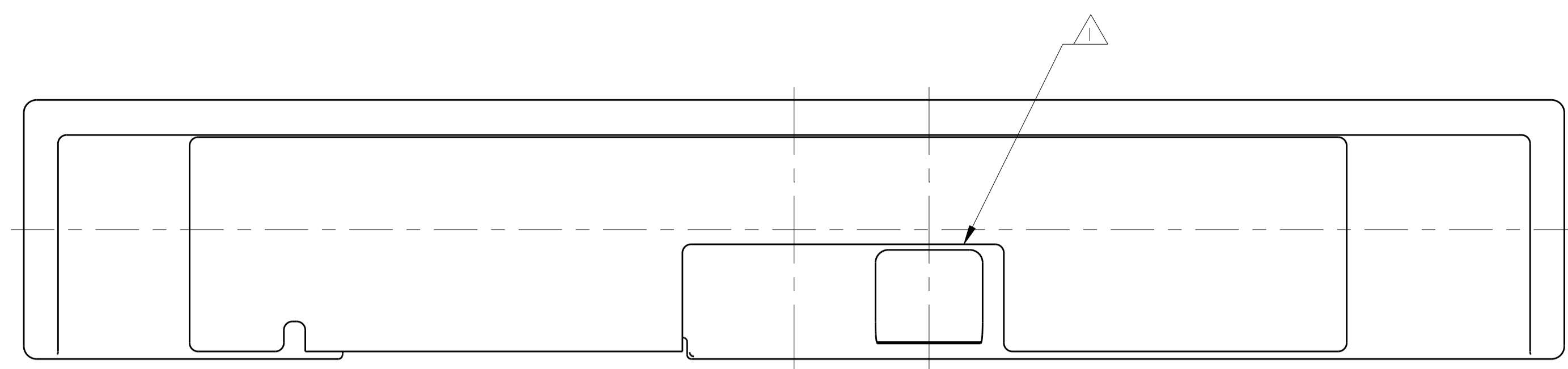
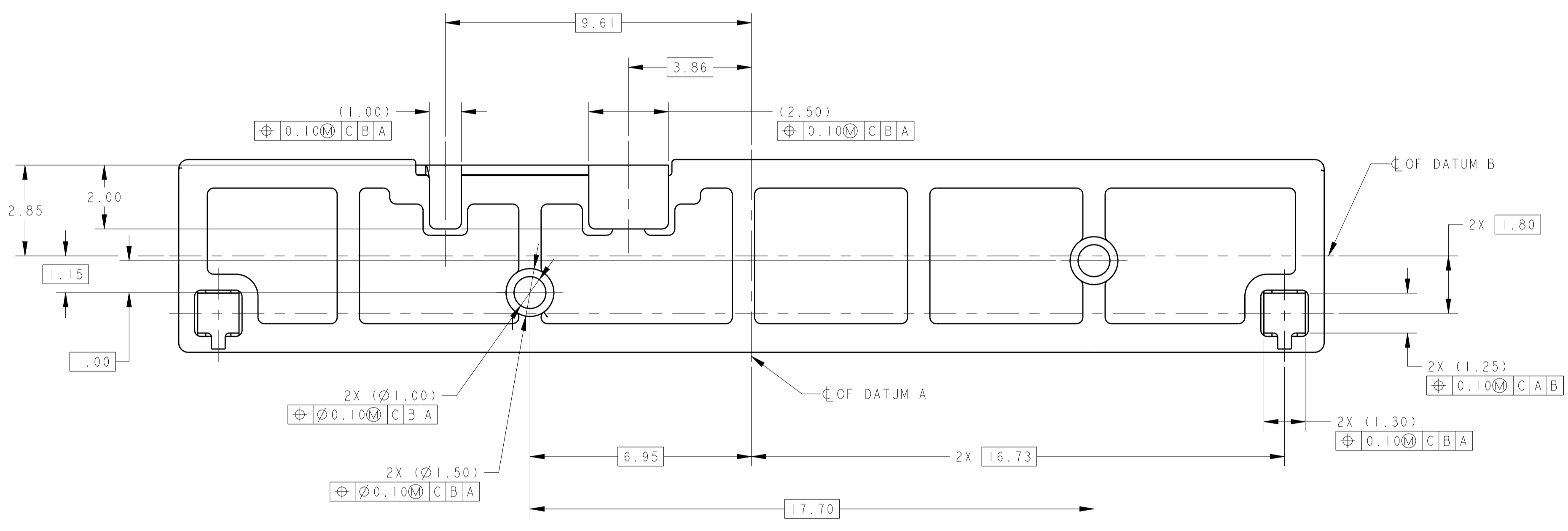


LOC		DIST		REVISIONS			
P	LTN	DESCRIPTION	DATE	DMN	APVD		
A	J	00					
C		RELEASED PER ECO-14-001751	06FEB2014	KF	JPS		
D		REVISED PER ECO-14-010096	24JUL2014	KF	PG		

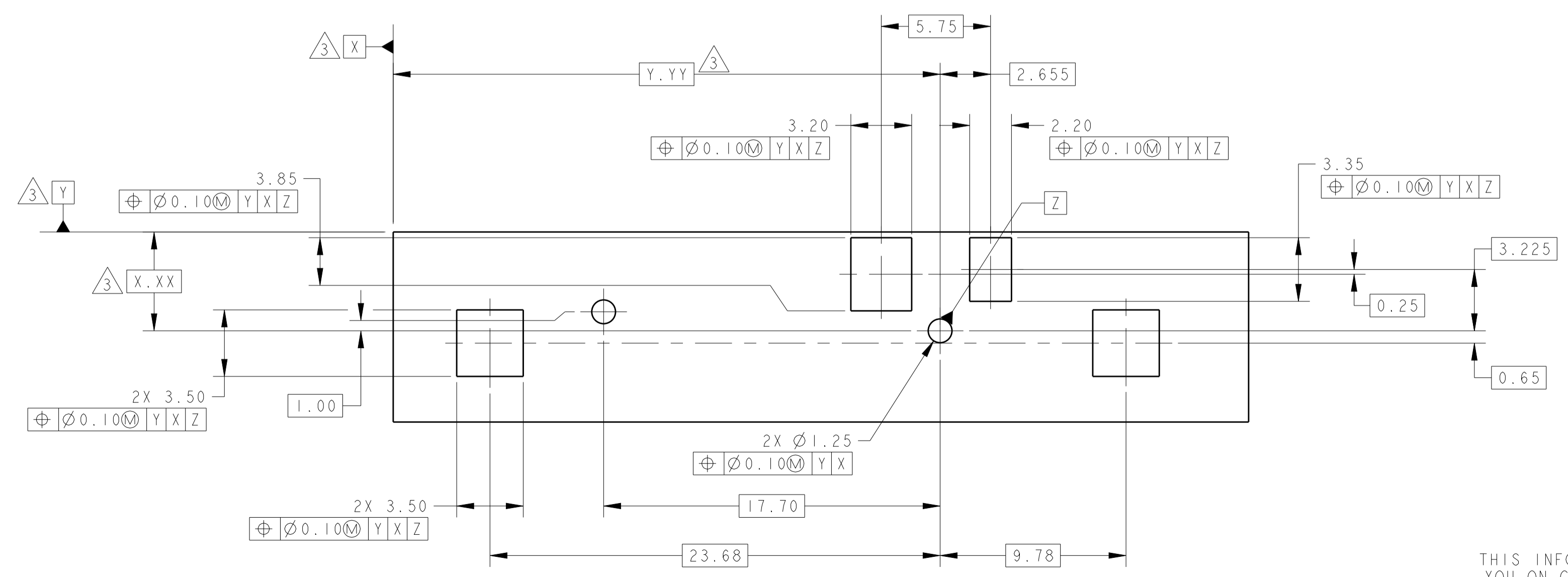


SCALE 4:1



- ASSEMBLY IS RoHS COMPLIANT PER TE CONNECTIVITY STANDARD TEC-138-702.
- MATERIAL:  
 SUBSTRATE: THERMOPLASTIC, BLACK.  
 ELEMENT: COLD ROLLED STEEL.  
 PLATING: TIN OVER NICKEL.

- 3 DIMENSIONS AND DATUMS ESTABLISHED BY CUSTOMER.
- 4 TAPE AND REEL PACKAGING, REFERENCE PACKAGING DETAIL ON SHEET 2.
- 5 TRAY PACKAGING, REFERENCE PACKAGING DETAIL ON SHEET 3.



RECOMMENDED PCB LAYOUT  
 SCALE 5:1

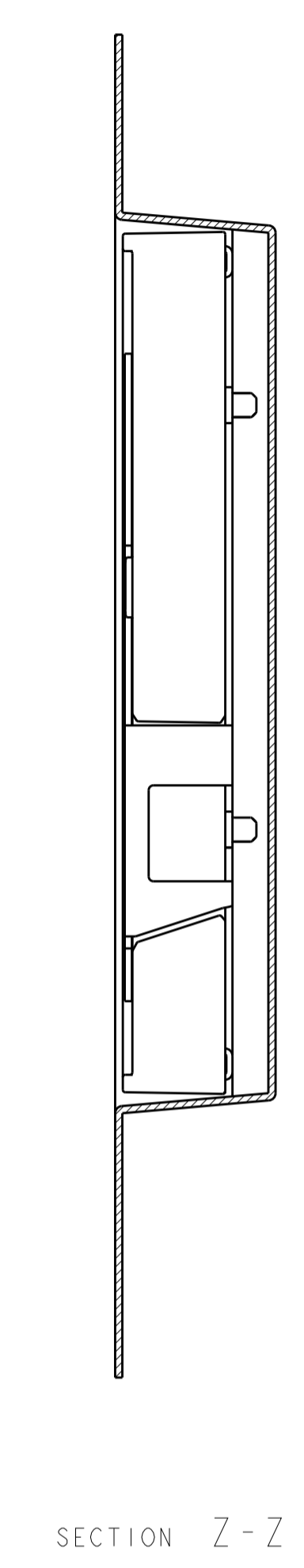
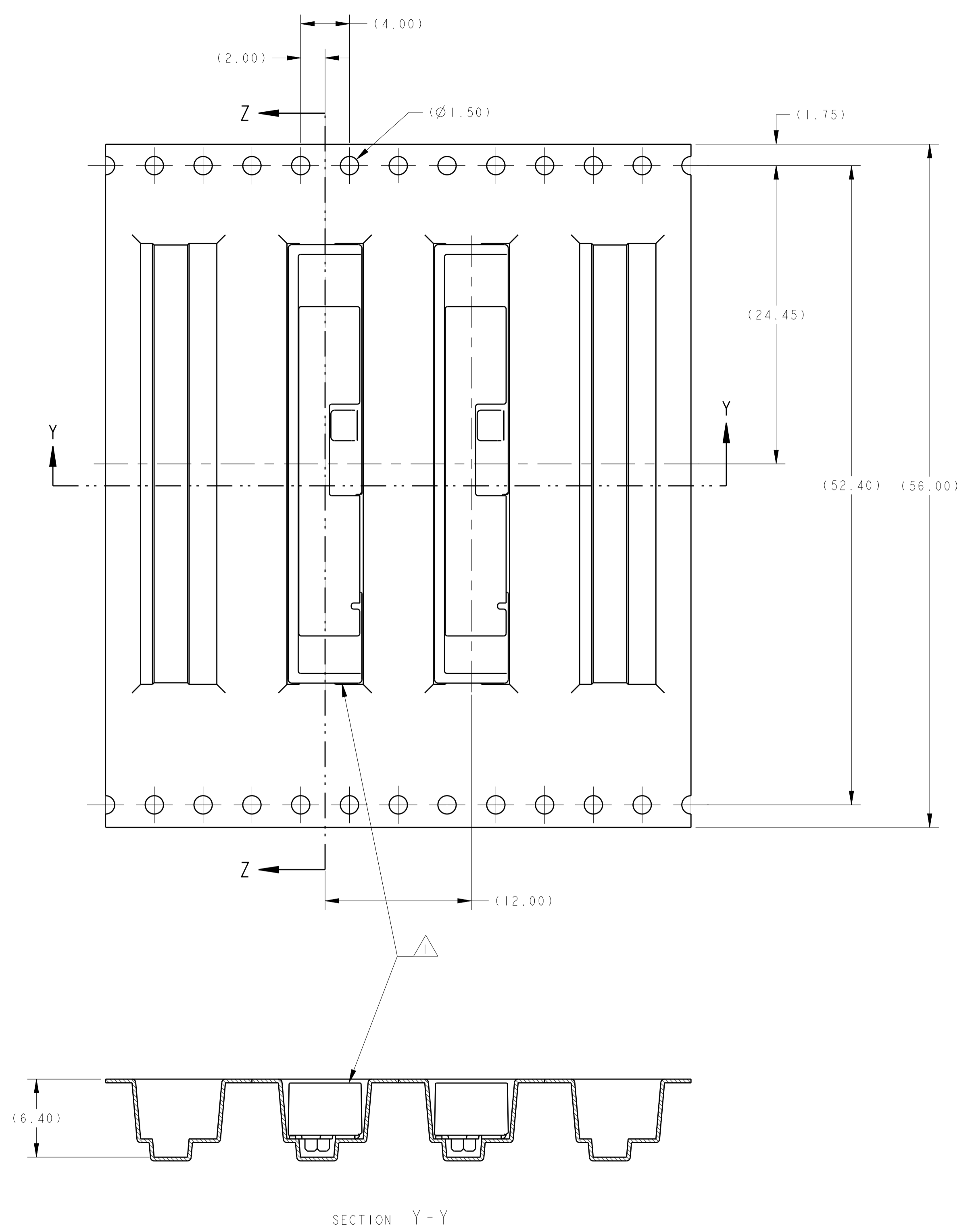
**CONFIDENTIAL**

THIS INFORMATION IS CONFIDENTIAL AND IS DISCLOSED TO YOU ON CONDITION THAT NO FURTHER DISCLOSURE IS MADE BY YOU TO OTHER THAN TYCO ELECTRONICS PERSONNEL WITHOUT WRITTEN AUTHORIZATION FROM TYCO ELECTRONICS, HARRISBURG, PA.

5	2118315-2
4	2118315-1
PACKAGING	PART NUMBER

THIS DRAWING IS A CONTROLLED DOCUMENT.		DMN R. FOLTZ 11JUN2013	NAME DUAL BAND, WiFi, PIFA 5 GHz, GROUND PLANE DEPENDENT
DIMENSIONS: mm		CHK G. GRIFFITH 11JUN2013	RESTRICTED TO
TOLERANCES UNLESS OTHERWISE SPECIFIED: 0 PLC ± 1 PLC ±0.10 2 PLC ± 3 PLC ± 4 PLC ±		APVD G. GRIFFITH 11JUN2013	SIZE A100779C=2118315
ANGLES ±1°		FINISH SEE NOTES	SCALE 10:1 SHEET 1 OF 3 REV D
MATERIAL SEE NOTES		WEIGHT	CUSTOMER DRAWING

LOC	DIST	REVISIONS					
		P	LTH	DESCRIPTION	DATE	DMN	APVD
AJ	00	-	-	SEE SHEET 1	-	-	-



ORIENT PARTS AS SHOWN.

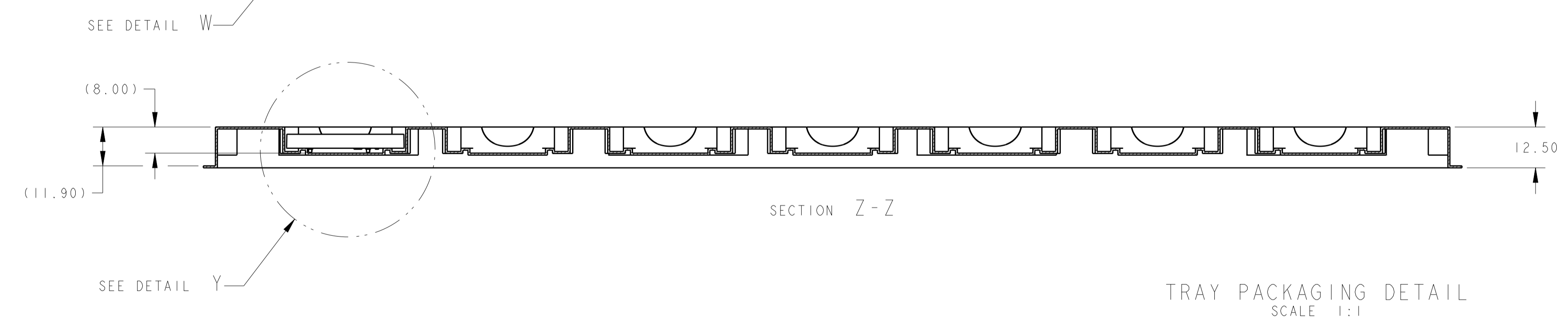
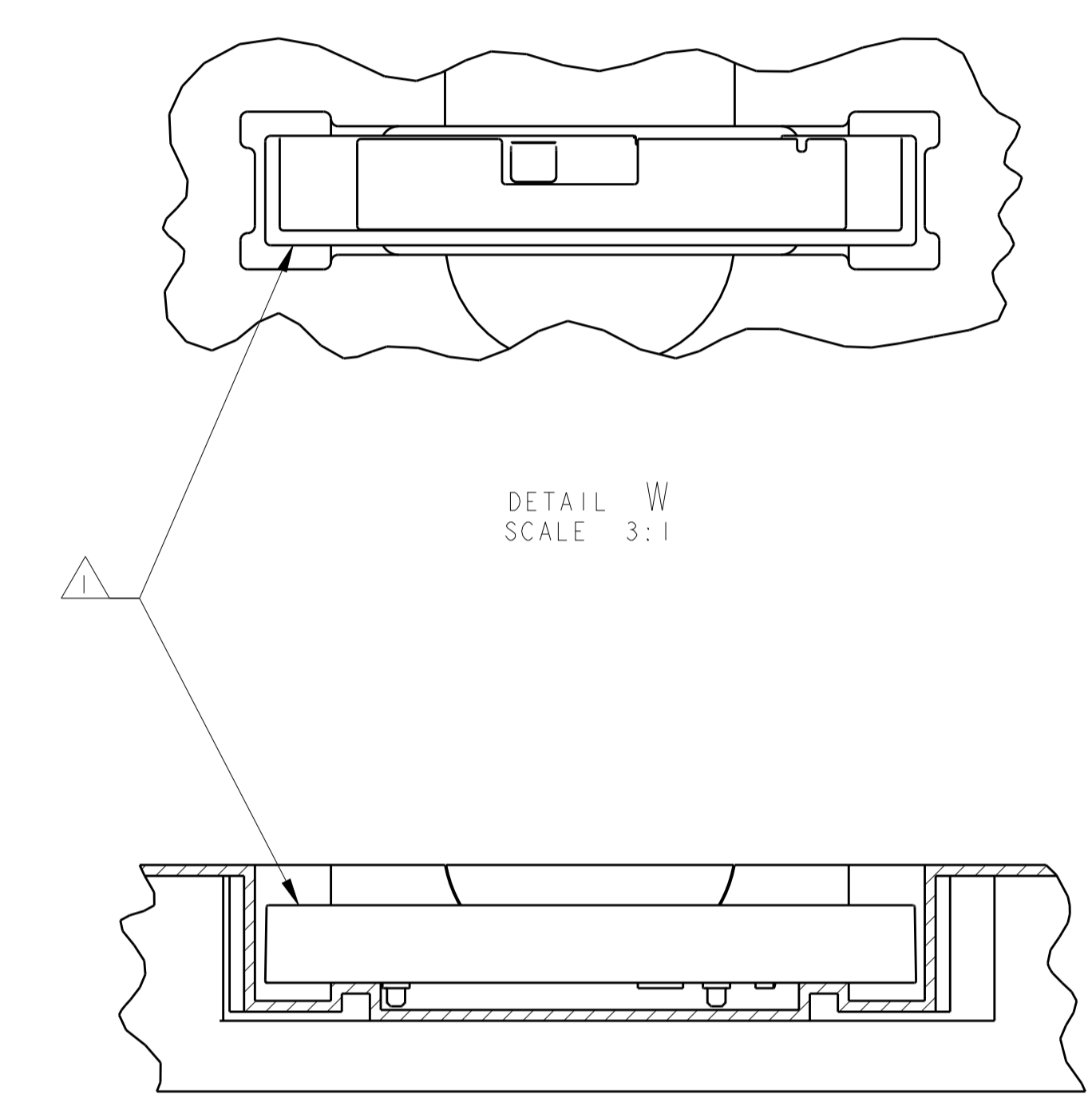
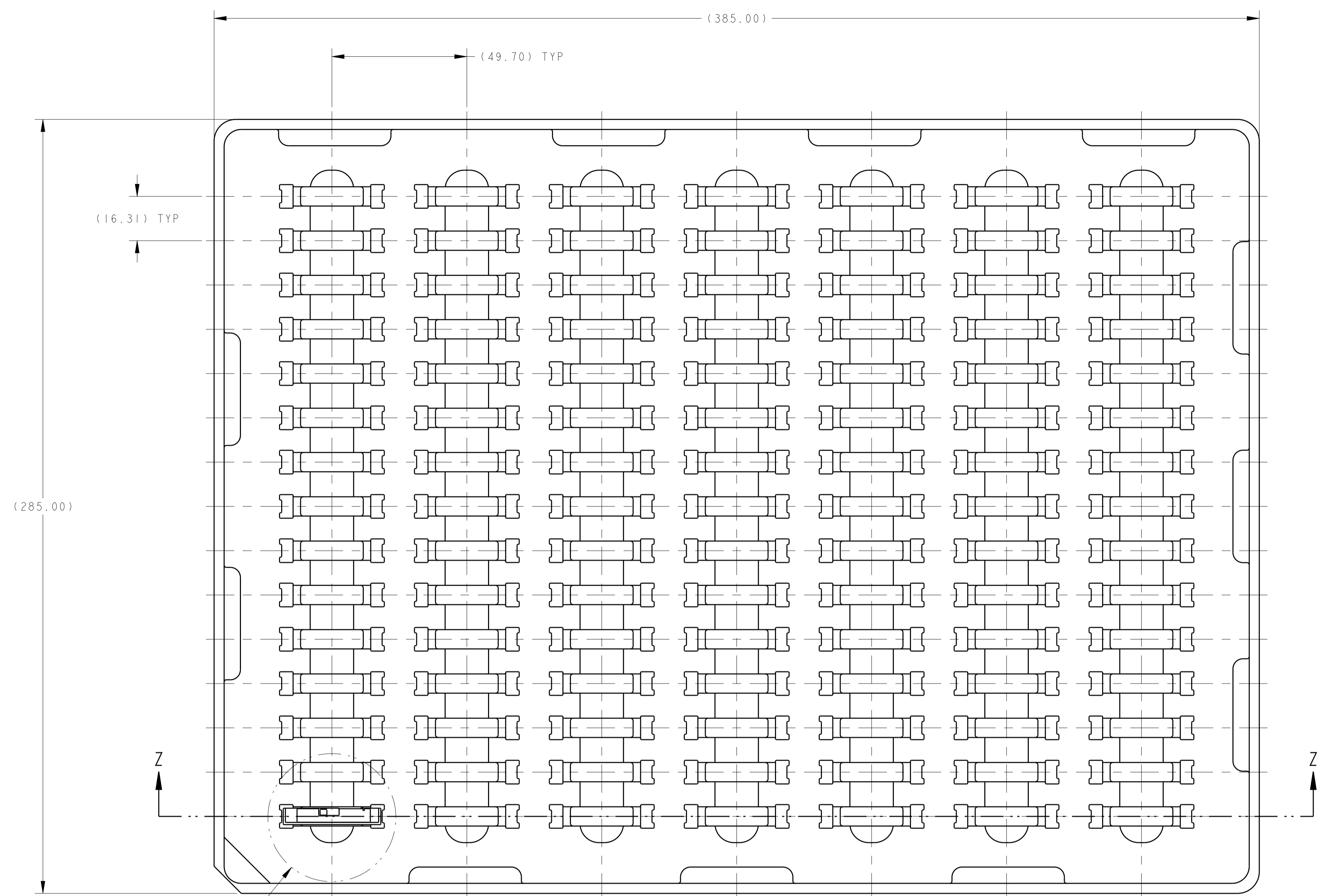
TAPE AND REEL  
 PACKAGING DETAIL  
 SCALE 4:1

**CONFIDENTIAL**

THIS INFORMATION IS CONFIDENTIAL AND IS DISCLOSED TO YOU ON CONDITION THAT NO FURTHER DISCLOSURE IS MADE BY YOU TO OTHER THAN TYCO ELECTRONICS PERSONNEL WITHOUT WRITTEN AUTHORIZATION FROM TYCO ELECTRONICS, HARRISBURG, PA.

THIS DRAWING IS A CONTROLLED DOCUMENT.		DMN R. FOLTZ 11JUN2013	TE Connectivity												
DIMENSIONS: mm		CHK G. GRIFFITH 11JUN2013													
TOLERANCES UNLESS OTHERWISE SPECIFIED:		APVD G. GRIFFITH 11JUN2013	NAME DUAL BAND, WiFi, PIFA 5 GHz, GROUND PLANE DEPENDENT												
<table border="1"> <tr> <td>0 PLC</td> <td>±</td> </tr> <tr> <td>1 PLC</td> <td>±0.10</td> </tr> <tr> <td>2 PLC</td> <td>±</td> </tr> <tr> <td>3 PLC</td> <td>±</td> </tr> <tr> <td>4 PLC</td> <td>±</td> </tr> <tr> <td>ANGLES</td> <td>±1°</td> </tr> </table>		0 PLC	±	1 PLC	±0.10	2 PLC	±	3 PLC	±	4 PLC	±	ANGLES	±1°	PRODUCT SPEC	SIZE A100779C=2118315
0 PLC	±														
1 PLC	±0.10														
2 PLC	±														
3 PLC	±														
4 PLC	±														
ANGLES	±1°														
MATERIAL SEE NOTES		APPLICATION SPEC	RESTRICTED TO												
FINISH SEE NOTES		WEIGHT	SCALE 10:1 SHEET 2 OF 3 REV D												
CUSTOMER DRAWING															

LOC		DIST		REVISIONS			
P	LTN	DESCRIPTION	DATE	DWN	APVD		
-	-	SEE SHEET 1	-	-	-		



ORIENT PARTS AS SHOWN.

TRAY PACKAGING DETAIL  
SCALE 1:1

**CONFIDENTIAL**

THIS INFORMATION IS CONFIDENTIAL AND IS DISCLOSED TO YOU ON CONDITION THAT NO FURTHER DISCLOSURE IS MADE BY YOU TO OTHER THAN TYCO ELECTRONICS PERSONNEL WITHOUT WRITTEN AUTHORIZATION FROM TYCO ELECTRONICS, HARRISBURG, PA.

THIS DRAWING IS A CONTROLLED DOCUMENT.		DWN R. FOLTZ 11JUN2013	TE Connectivity DUAL BAND, WiFi, PIFA 5 GHz, GROUND PLANE DEPENDENT
DIMENSIONS: mm		CHK G. GRIFFITH 11JUN2013	
TOLERANCES UNLESS OTHERWISE SPECIFIED:		APVD G. GRIFFITH 11JUN2013	NAME
0 PLC	±	PRODUCT SPEC	SIZE
1 PLC	±	APPLICATION SPEC	CAGE CODE
2 PLC	±0.10	WEIGHT	DRAWING NO
3 PLC	±	CUSTOMER DRAWING	RESTRICTED TO
4 PLC	±		
ANGLES	±1°		
MATERIAL SEE NOTES	FINISH SEE NOTES		