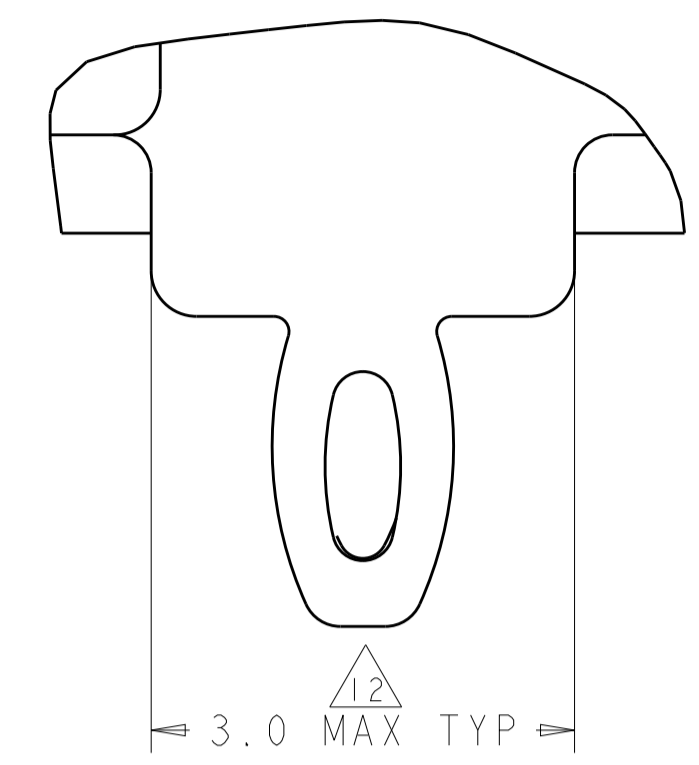


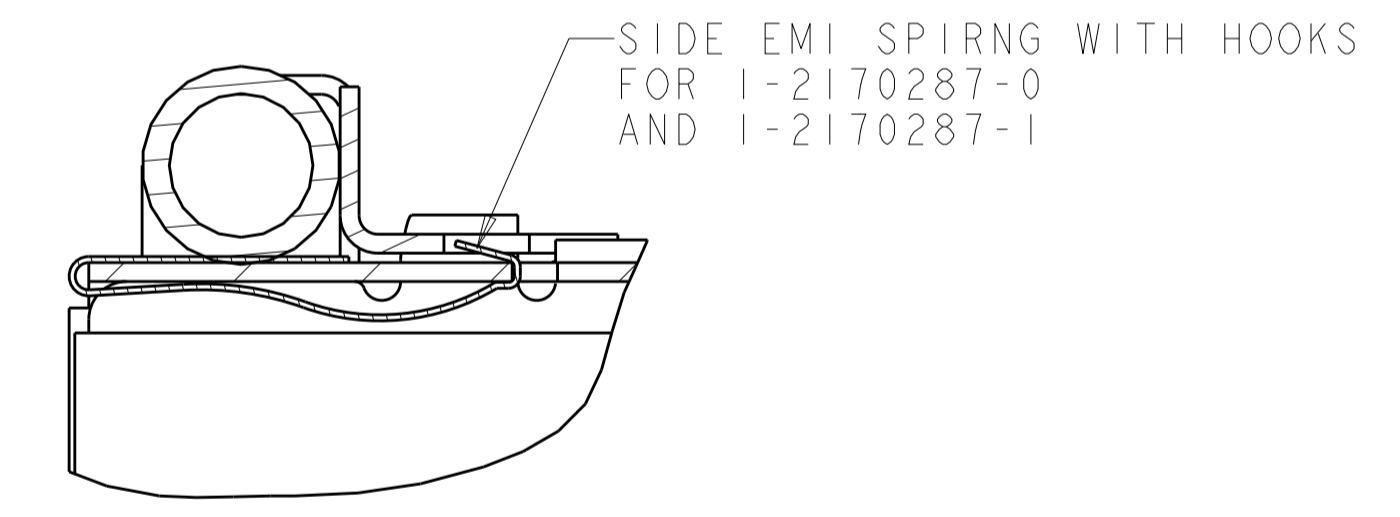
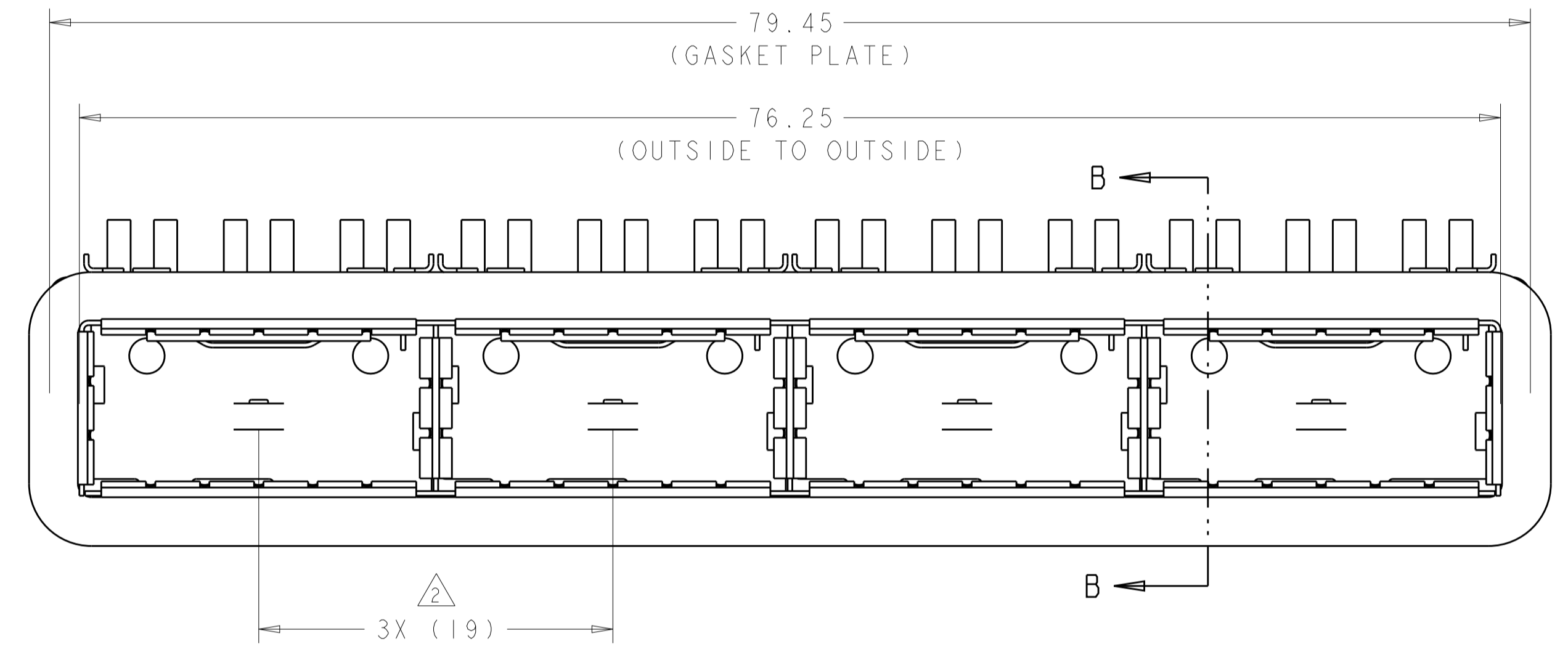
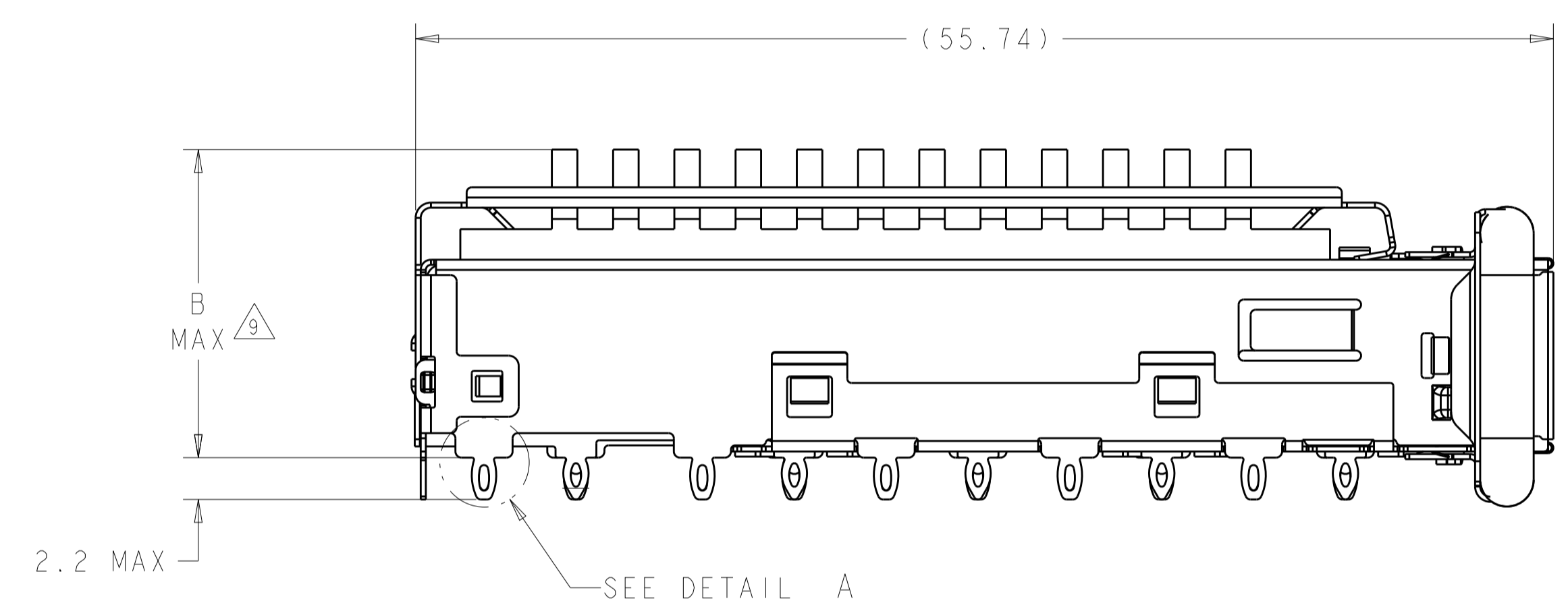
LOC	DIST	REV	DATE	BY	CHK	APPV
GP	00	A	RELEASE PER ECO-16-002978	3MAR2016	RG	SH

- △ CAGE ASSEMBLY MATERIAL: NICKEL SILVER, 0.25 THICK  
 HEAT SINK MATERIAL: ALUMINUM  
 HEAT SINK CLIP MATERIAL: STAINLESS STEEL  
 EMI SPRING MATERIAL: COPPER ALLOY  
 EMI GASKET MATERIAL: CONDUCTIVE RUBBER, UL 94V-0 RATED  
 EMI GASKET PLATE MATERIAL: STAINLESS STEEL
- △ PITCH BETWEEN PORTS OF ONE 1X4 CAGE ASSEMBLY.
- △ SPACING BETWEEN CAGES ON THE SAME PC BOARD, TO BE SPECIFIED BY CUSTOMER, MUST COMPLY WITH MINIMUM DIMENSIONS SHOWN.
- △ REFERENCE APPLICATION SPEC 114-13217 FOR RECOMMENDED DRILL HOLE DIAMETER AND PLATING THICKNESS.
- △ DATUMS AND BASIC DIMENSIONS ESTABLISHED BY CUSTOMER.
- △ DIMENSION F IS THE NOMINAL THICKNESS OF CUSTOMER SUPPLIED PC BOARD,  
 SINGLE SIDED PC BOARD MINIMUM THICKNESS = 1.45mm  
 DOUBLE SIDED PC BOARD MINIMUM THICKNESS = 5.0mm PER CUSTOM.
- △ HEAT SINKS, LIGHT PIPES, AND HEAT SINK CLIPS SHIPPED ASSEMBLED TO CAGE ASSEMBLY. CAGE ASSEMBLY MAY BE PRESSED INTO THE PCB AS SHIPPED.
- △ DATUM -A- IS TOP SURFACE OF PC BOARD.
- △ DIMENSION APPLIES WITH MODULE INSERTED IN CAGE.
- △ UNPLATED THRU HOLE.

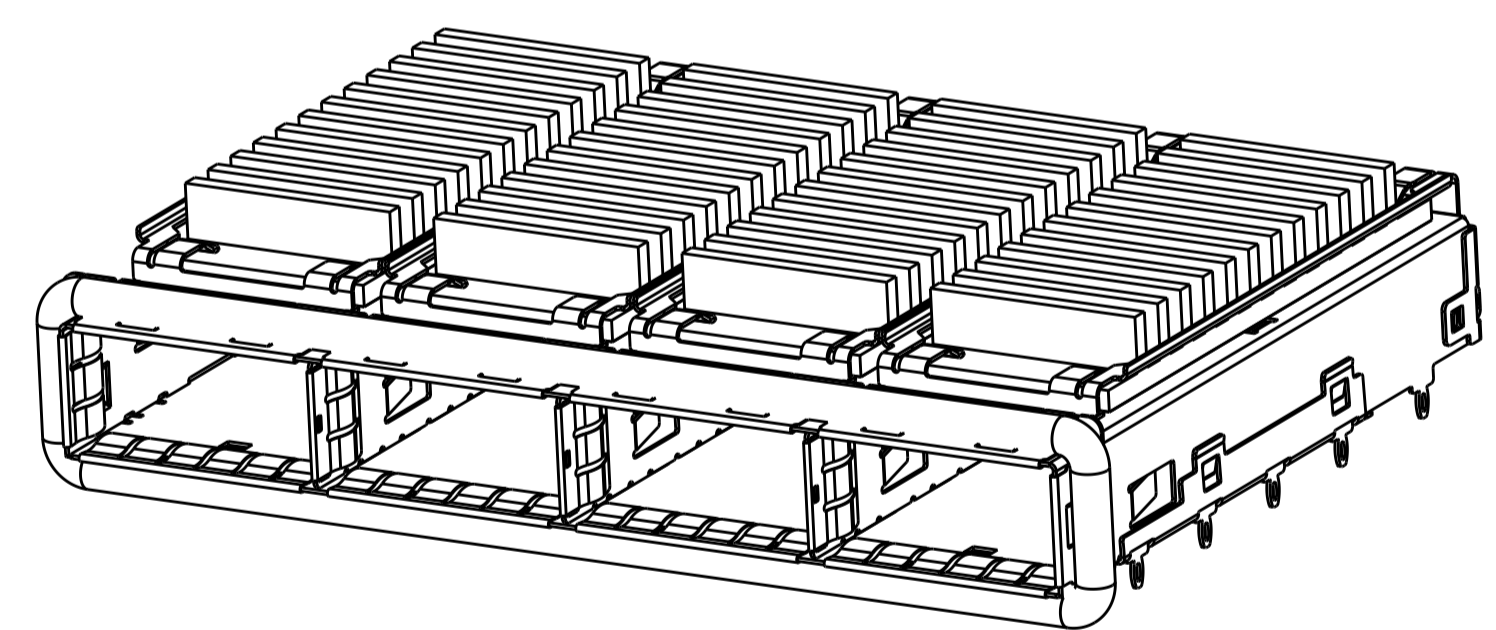
- 11. MATES WITH QSFP MSA COMPATIBLE TRANSCEIVER.
- △ SURFACE TRACES PERMITTED WITHIN THIS AREA EXCEPT WHERE CAGE STANDOFFS, SHOWN IN DETAIL A, CONTACT PC BOARD.
- △ BASELINE FOR THESE DIMENSIONS IS THE CENTER OF COMPLIANT PIN HOLE.
- △ DATE CODE (YYWWD) MARKED ON TOP OF CAGE AND CONCEALED BY HEAT SINKS APPLIES TO CAGE ASSEMBLY ONLY.
- △ REFERENCE APP SPEC 114-13217 FOR GASKET THICKNESS CALCULATION.
- △ EMI SPRING FINISH: TIN PLATING OVER NICKEL  
 HEAT SINK FINISH: ANODIZED OR NICKEL PLATING.



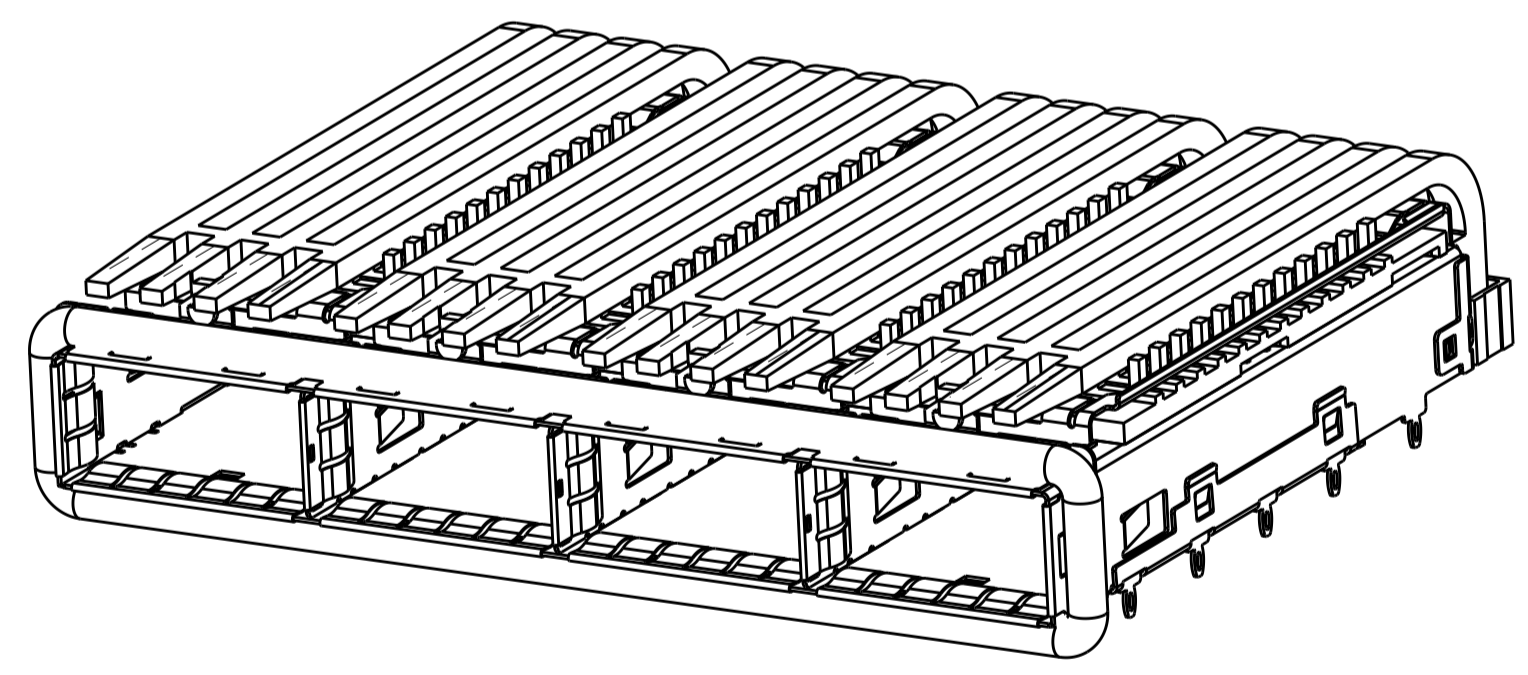
DETAIL A  
SCALE 20:1



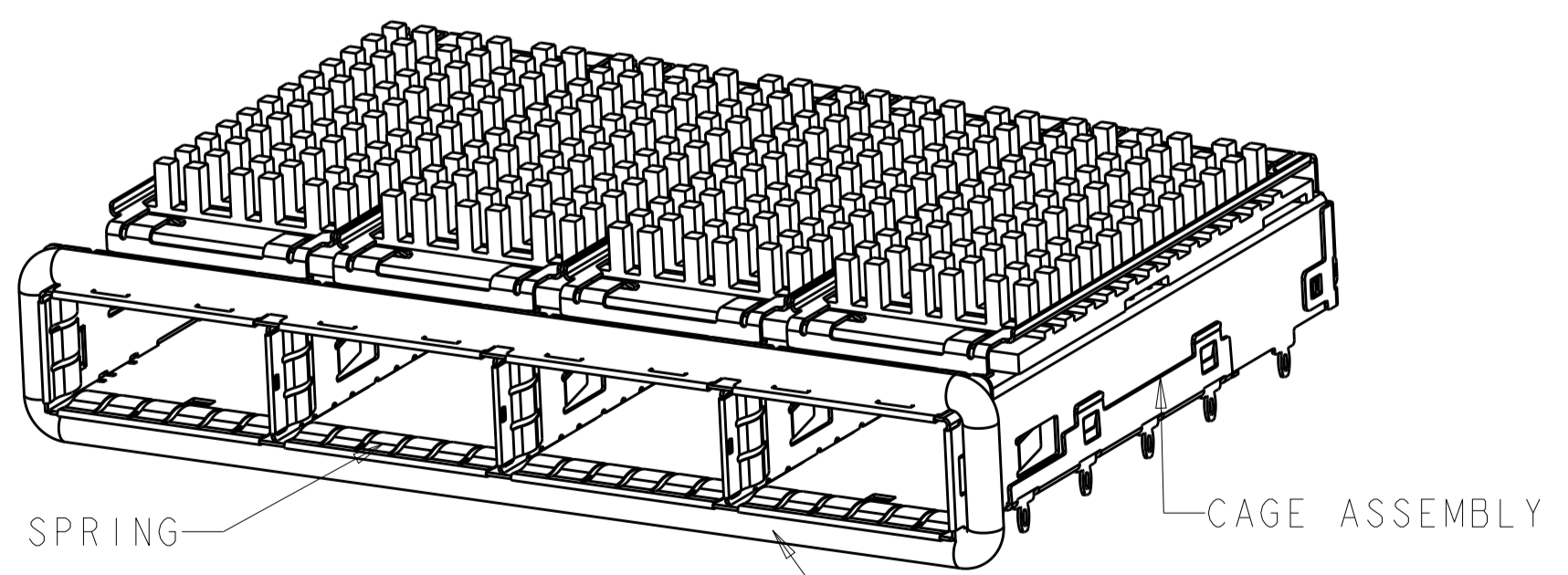
SECTION B-B  
SCALE 10:1



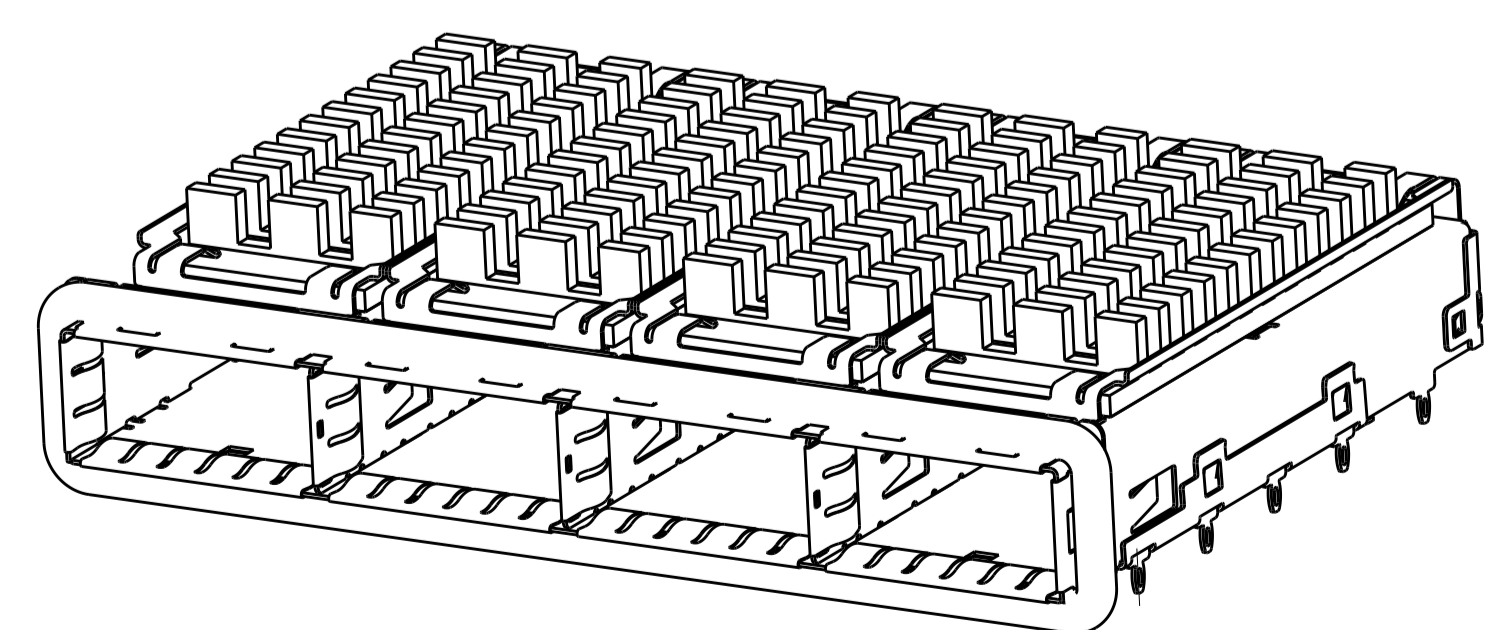
2170287-4, 2170287-5, 2170287-6  
SCALE 2:1



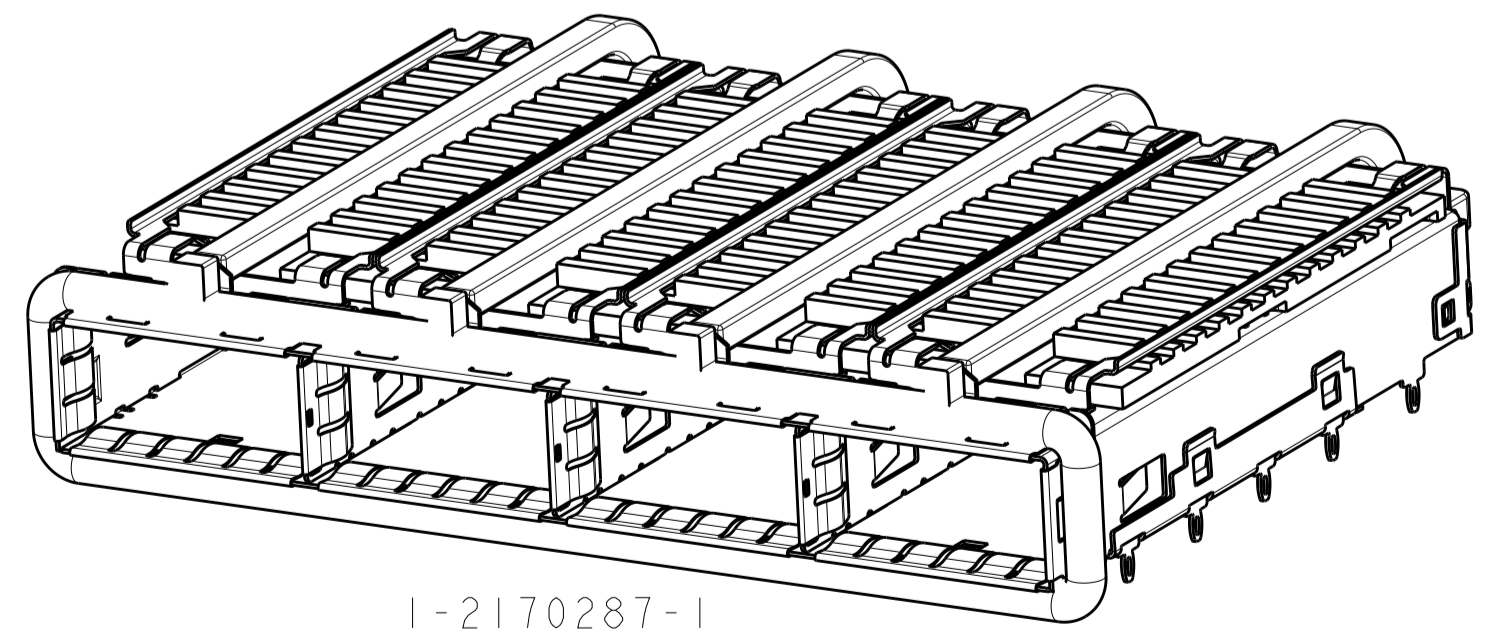
1-2170287-0  
SCALE 2:1



2170287-1, 2170287-2, 2170287-3  
SCALE 2:1



2170287-7, 2170287-8, 2170287-9  
SCALE 2:1



1-2170287-1  
SCALE 2:1

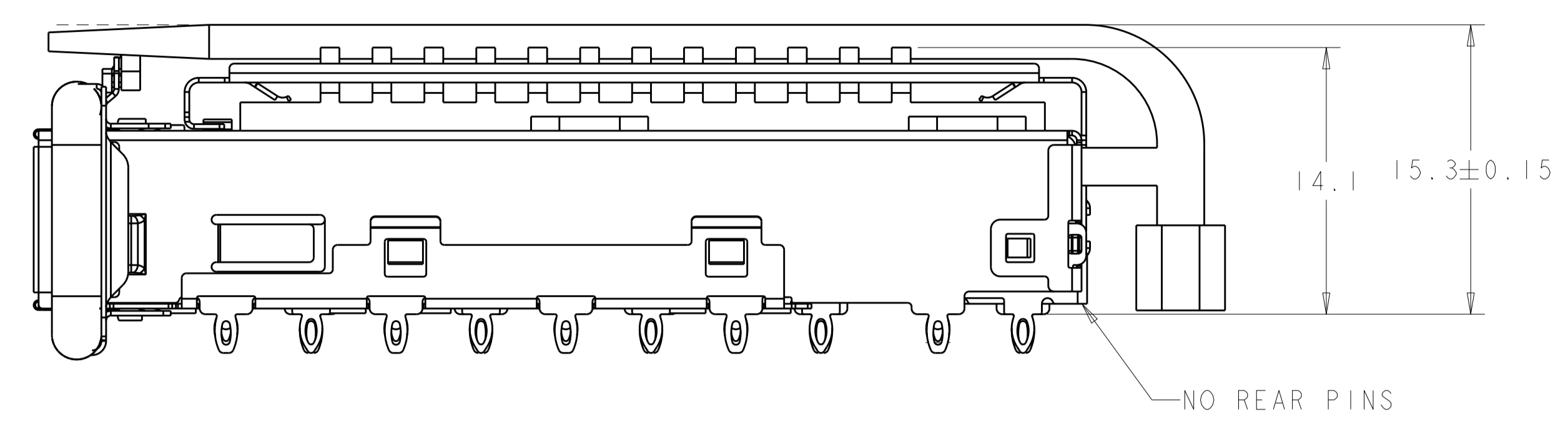
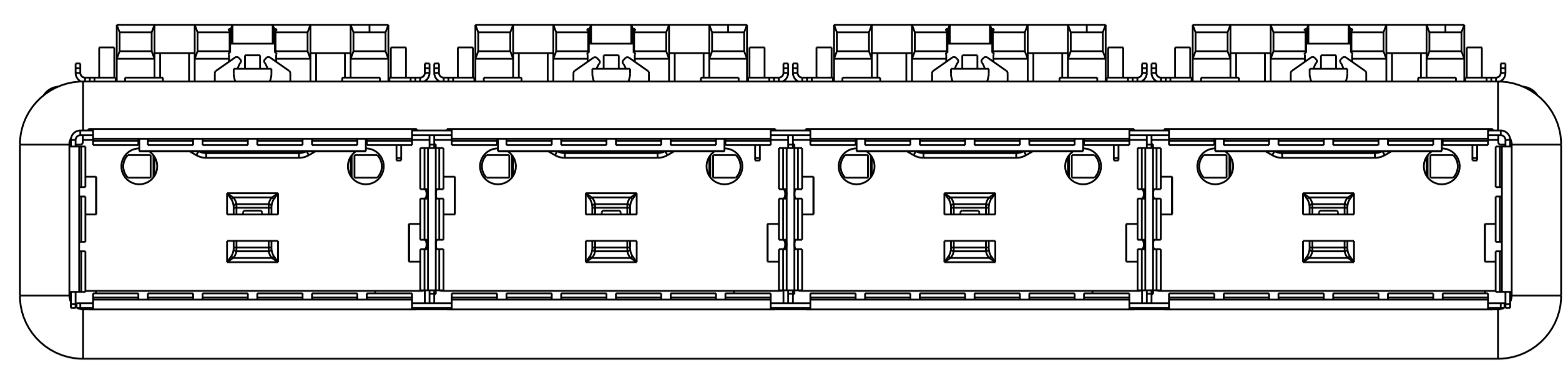
SIZE	CAGE CODE	DRAWING NO	RESTRICTED TO
13.7	PCI(FIN TYPE)	1-2170287-1	
15.0	CUSTOMIZED HEAT SINK	1-2170287-0	
23.0	NETWORKING(FIN TYPE)	2170287-9	
16.0	SAN(FIN TYPE)	2170287-8	
13.7	PCI(FIN TYPE)	2170287-7	
23.0	NETWORKING(FIN TYPE)	2170287-6	
16.0	SAN(FIN TYPE)	2170287-5	
13.7	PCI(FIN TYPE)	2170287-4	
23.0	NETWORKING(PIN TYPE)	2170287-3	
16.0	SAN(PIN TYPE)	2170287-2	
13.7	PCI(PIN TYPE)	2170287-1	
B	HEAT SINK PROFILE	PART NUMBER	

THIS DRAWING IS A CONTROLLED DOCUMENT.

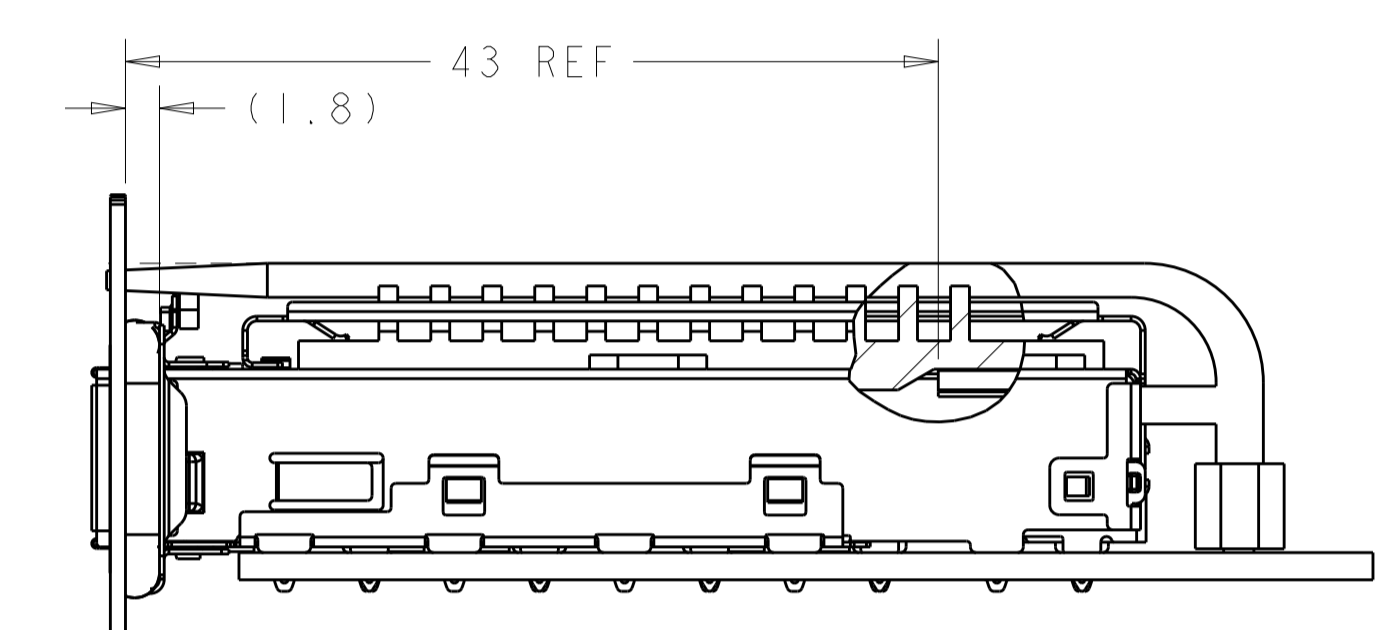
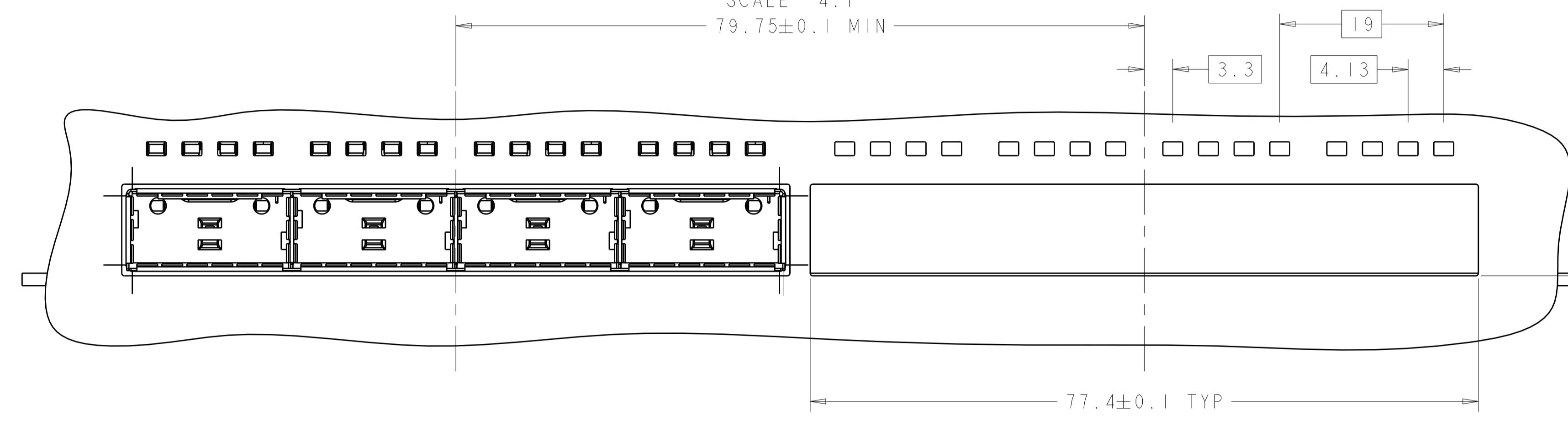
DIMENSIONS:	TOLERANCES UNLESS OTHERWISE SPECIFIED:	OWN: RINSEN SUN 29FEB2012	CHK: DENNY ZHU 29FEB2012	APPV: ALEY CAI 29FEB2012	NAME: 1X4 CAGE ASSEMBLY, THRU BEZEL, W/ELASTOMERIC GASKET AND HEAT SINKS, QSFP
mm	0 PLC ±0.35 1 PLC ±0.25 2 PLC ±0.25 3 PLC ± 4 PLC ±	PRODUCT SPEC: 108-2286	APPLICATION SPEC: 114-13217	SIZE: A1	CAGE CODE: 00779
MATERIAL:	FINISH:	WEIGHT:	CUSTOMER DRAWING	SCALE: 4:1	SHEET 1 OF 8

4805 (3/11)

LOC	DIST	REVISIONS					
GP	00	P	LTN	DESCRIPTION	DATE	DMN	APVD
-	-	-	-	SEE SHEET 1	-	-	-

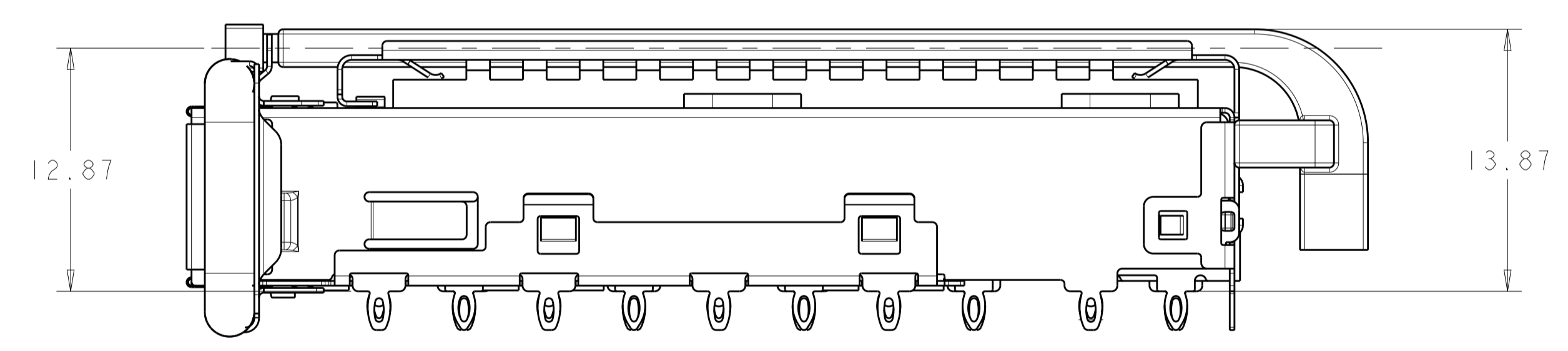
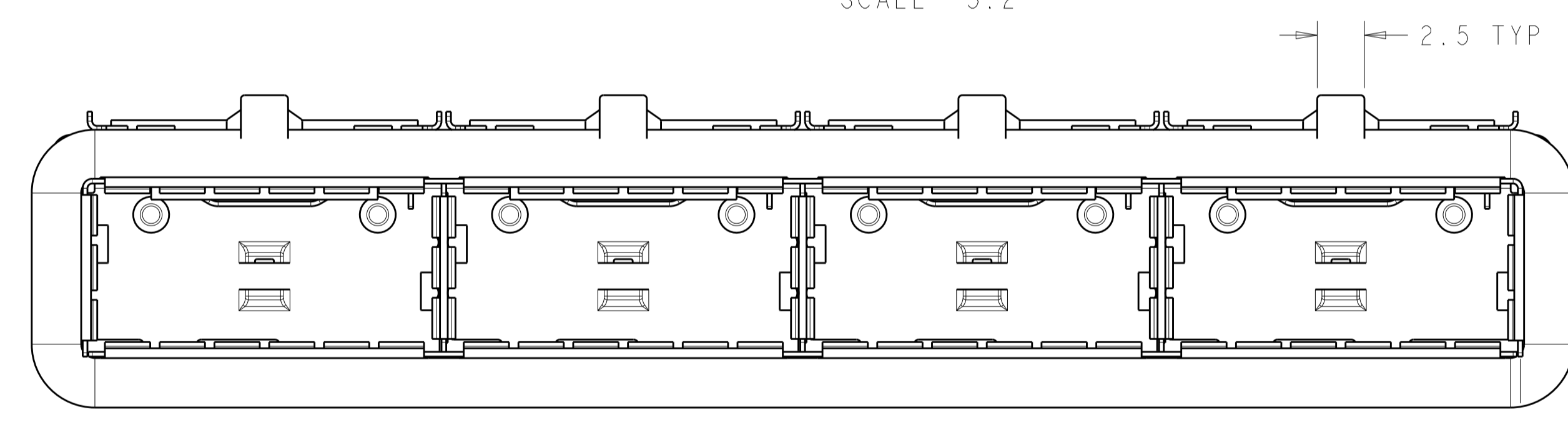


1-2170287-0 shown  
SCALE 4:1

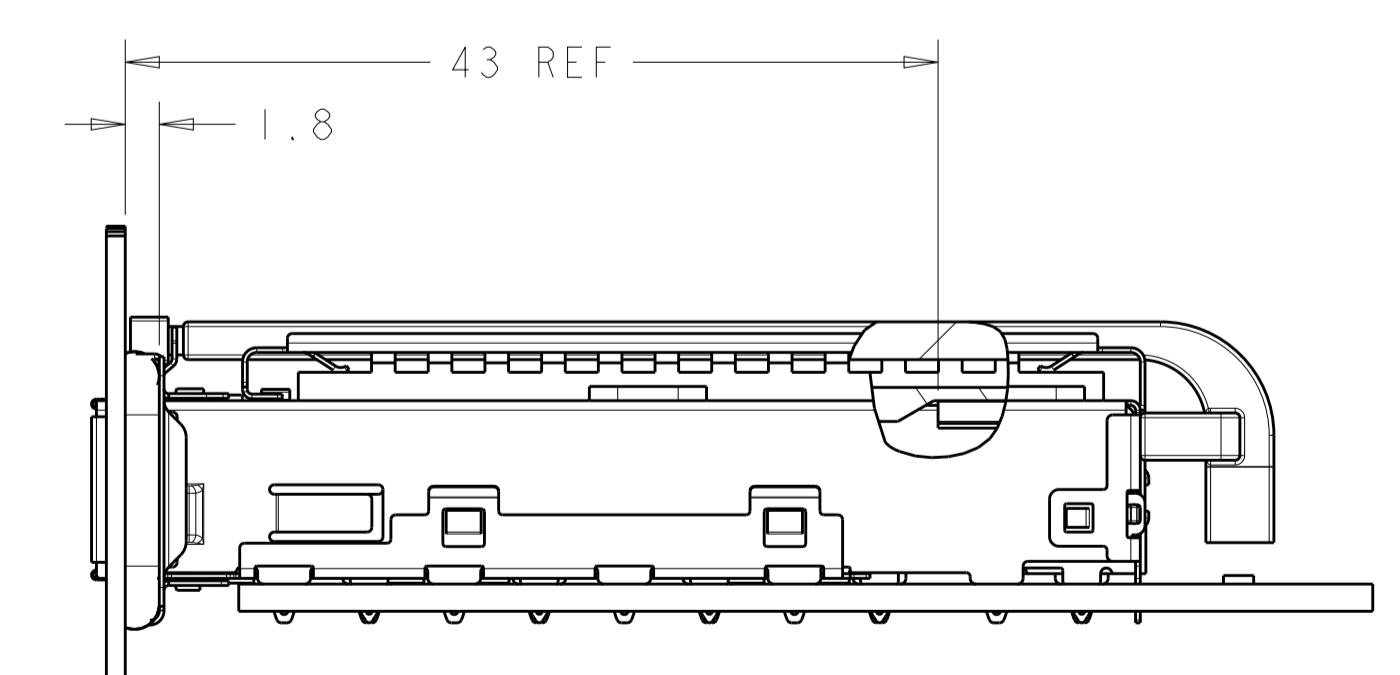
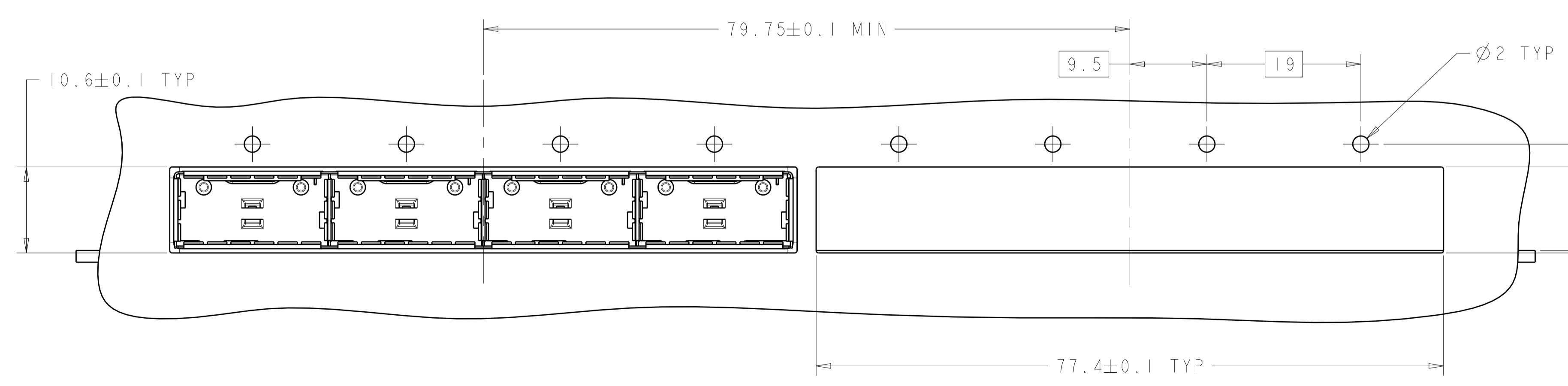


SECTION B-B

1-2170287-0  
ONE SIDED CONFIGURATION  
SCALE 5:2



1-2170287-1 SHOWN  
SCALE 4:1

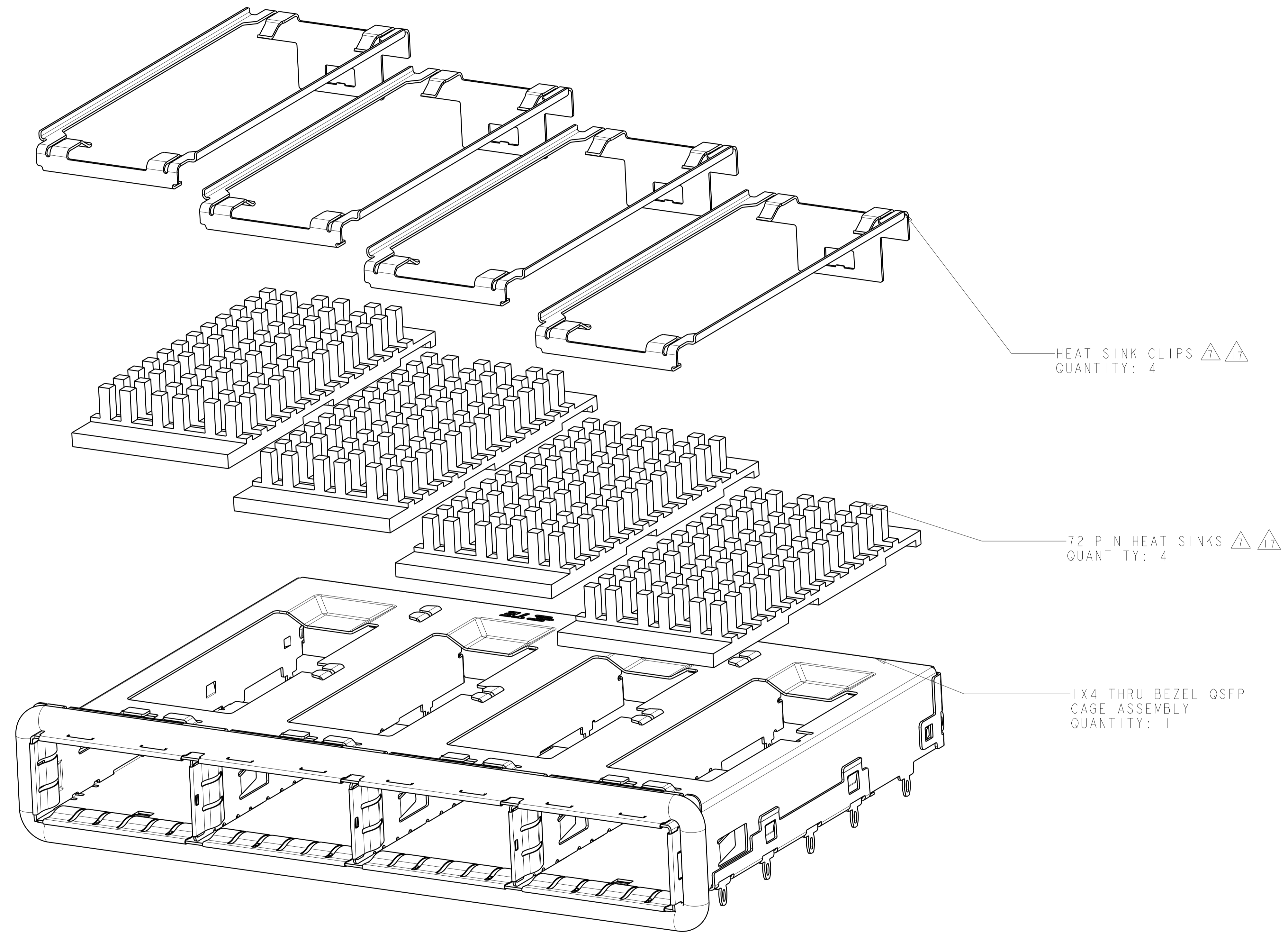


SECTION B-B

1-2170287-1  
ONE SIDED CONFIGURATION  
SCALE 5:2

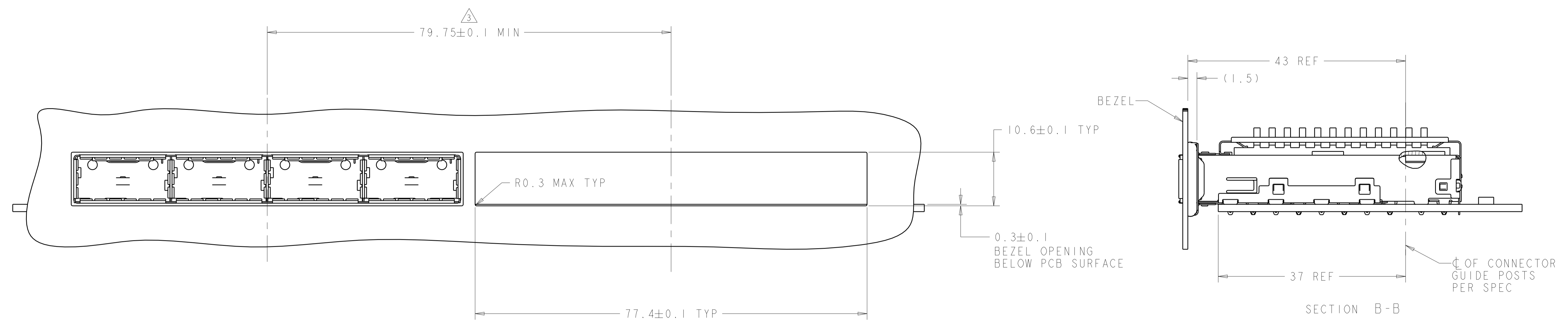
THIS DRAWING IS A CONTROLLED DOCUMENT.		DMN: RINSEN SUN 29FEB2012	TE Connectivity
DIMENSIONS: mm		CHK: DENNY ZHU 29FEB2012	
TOLERANCES UNLESS OTHERWISE SPECIFIED:		APVD: ALEY CAI 29FEB2012	NAME: 1X4 CAGE ASSEMBLY, THRU BEZEL, W/ELASTOMERIC GASKET AND HEAT SINKS, QSFP
0 PLC ±	1 PLC ±0.35	PRODUCT SPEC: 108-2286	SIZE: 114-13217
2 PLC ±0.25	3 PLC ±	APPLICATION SPEC: 114-13217	WEIGHT: -
4 PLC ±	ANGLES ±	FINISH: -	CUSTOMER DRAWING
MATERIAL: -		SCALE: 1:1	
SHEET 2 OF 8		REV A	

LOC	DIST	REVISIONS			
P	LTN	DESCRIPTION	DATE	OWN	APVD
GP	00	SEE SHEET 1	-	-	-

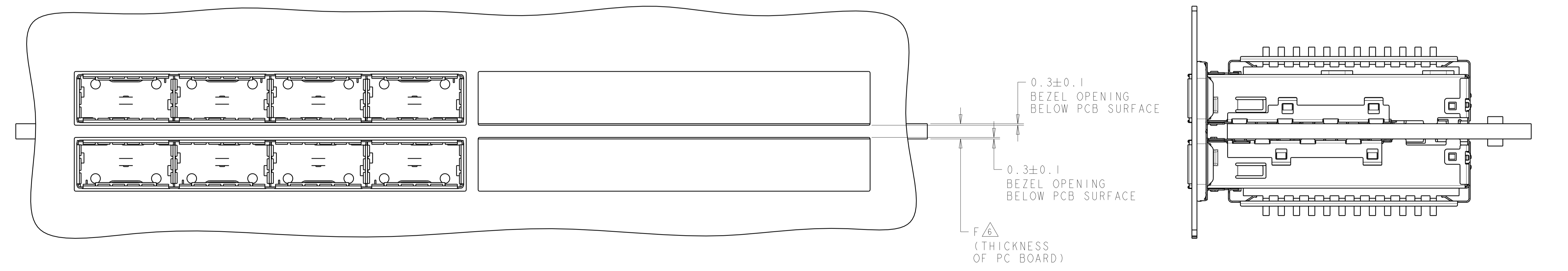


THIS DRAWING IS A CONTROLLED DOCUMENT.		OWN: KINSEN SUN 29FEB2012	
DIMENSIONS: mm		CHK: DENNY ZHU 29FEB2012	
TOLERANCES UNLESS OTHERWISE SPECIFIED:		APVD: AILEY CAI 29FEB2012	NAME: 1X4 CAGE ASSEMBLY, THRU BEZEL, W/ELASTOMERIC GASKET AND HEAT SINKS, QSFP
0 PLC	±	PRODUCT SPEC	SIZE: CAGE CODE DRAWING NO
1 PLC	±0.35	108-2286	RESTRICTED TO
2 PLC	±0.25	APPLICATION SPEC	A100779C=2170287
3 PLC	±	114-13217	SCALE: 1:1 SHEET 3 OF 8 REV A
4 PLC	±	WEIGHT	
ANGLES	±	CUSTOMER DRAWING	
FINISH			

LOC	DIST	REVISIONS					
GP	00	P	LTN	DESCRIPTION	DATE	DMN	APVD
-	-	-	-	SEE SHEET 1	-	-	-



ONE SIDED CONFIGURATION  
 SCALE 5:2

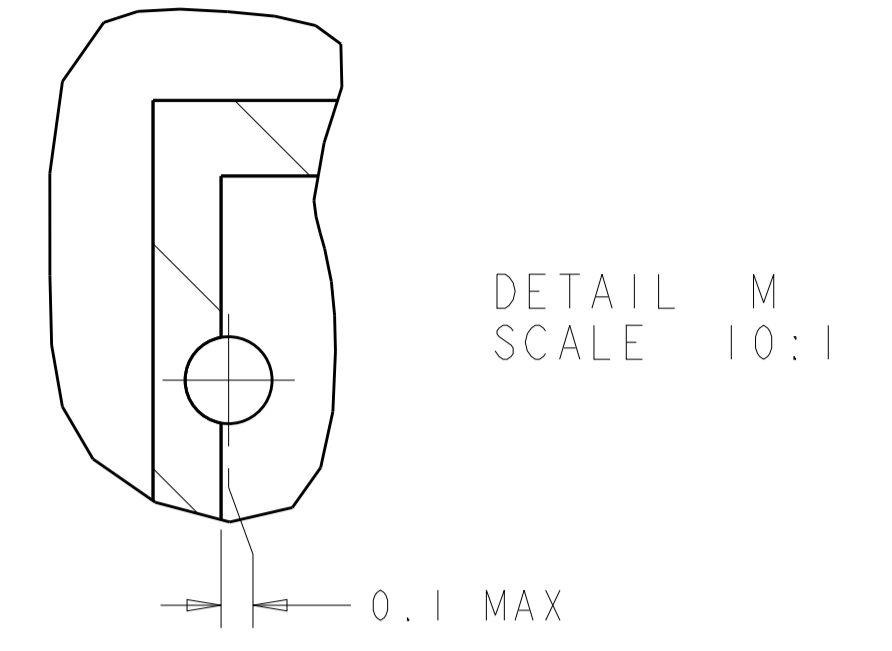
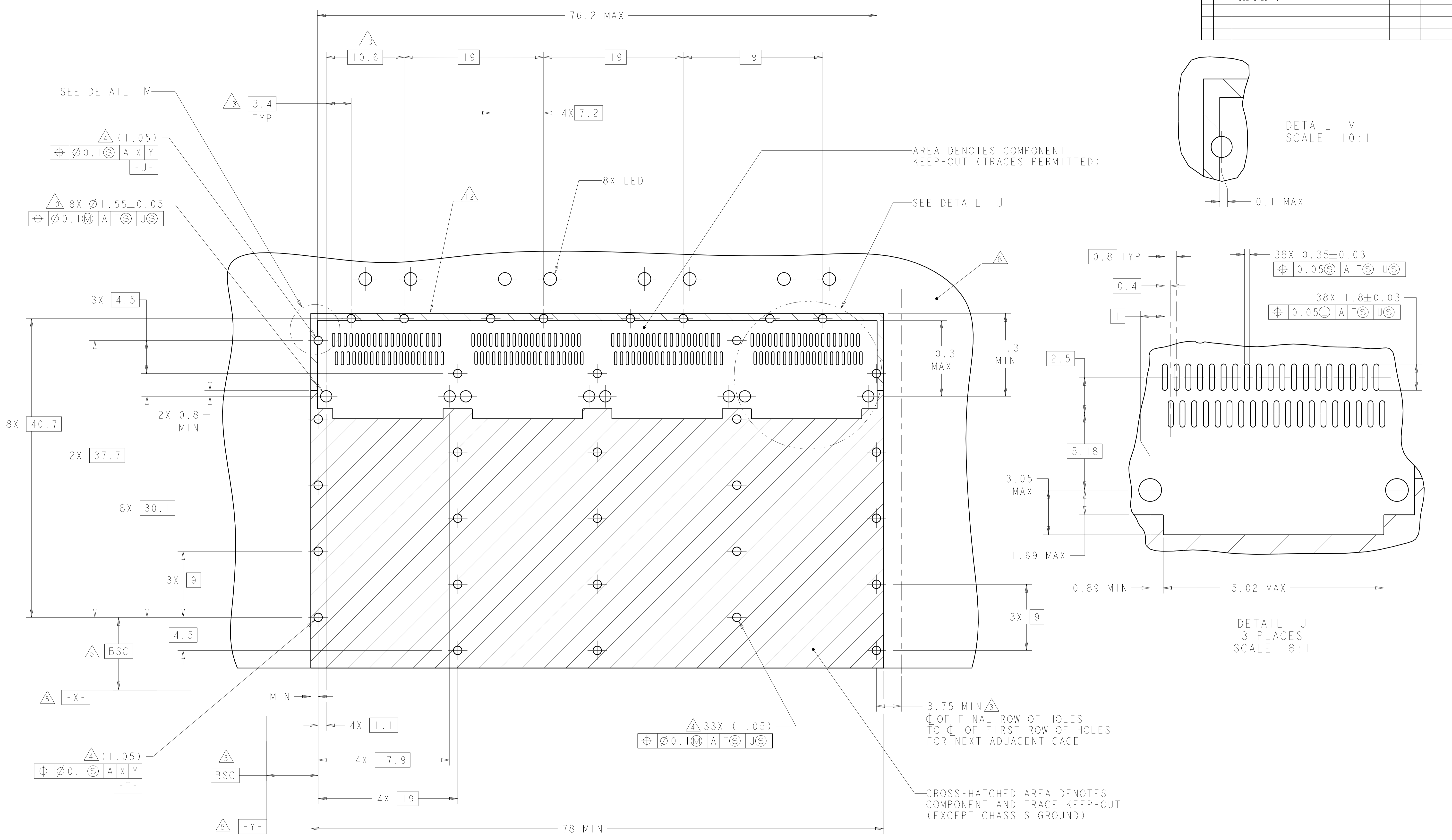


BELLY TO BELLY CONFIGURATION  
 SIMILAR TO ONE SIDED  
 EXCEPT WHERE NOTED  
 SCALE 5:2

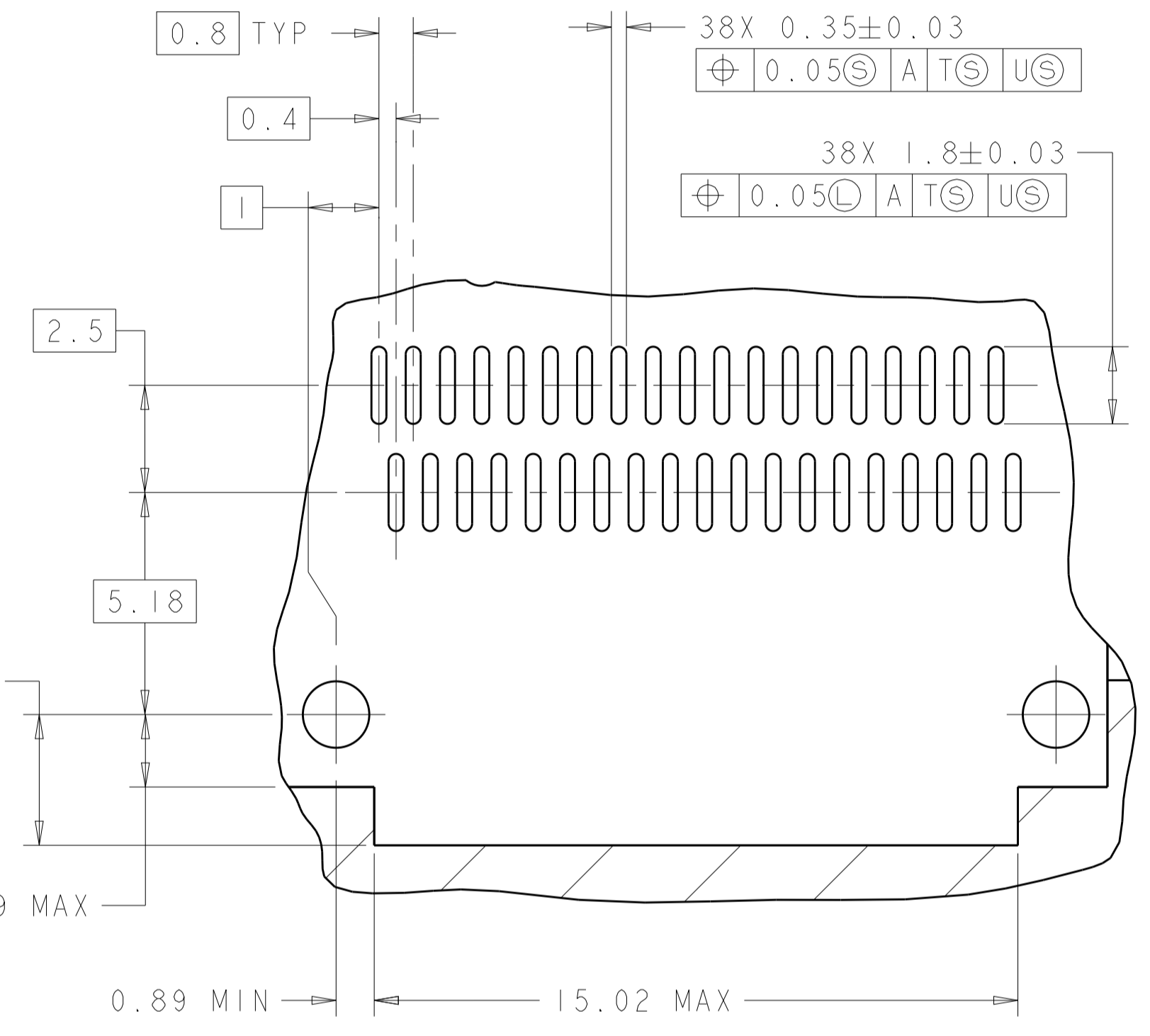
THIS DRAWING IS A CONTROLLED DOCUMENT.		DMN RINSEN SUN CHK DENNY ZHU APVD ALEX CAI	29FEB2012 29FEB2012 29FEB2012	TE Connectivity NAME 1X4 CAGE ASSEMBLY, THRU BEZEL, W/ELASTOMERIC GASKET AND HEAT SINKS, QSFP
DIMENSIONS:	TOLERANCES UNLESS OTHERWISE SPECIFIED:	PRODUCT SPEC	APPLICATION SPEC	
mm	0 PLC ± 1 PLC ±0.35 2 PLC ±0.25 3 PLC ± 4 PLC ±	108-2286	114-13217	SIZE A100779C=2170287
MATERIAL	FINISH	WEIGHT	CUSTOMER DRAWING	RESTRICTED TO SCALE 1:1 SHEET 4 OF 8 REV A

LOC	DIST	REV	DATE	APPD
GP	00			

REVISIONS				
NO.	DESCRIPTION	DATE	OWN	APPD
1	SEE SHEET 1			



DETAIL M  
SCALE 10:1



DETAIL J  
3 PLACES  
SCALE 8:1

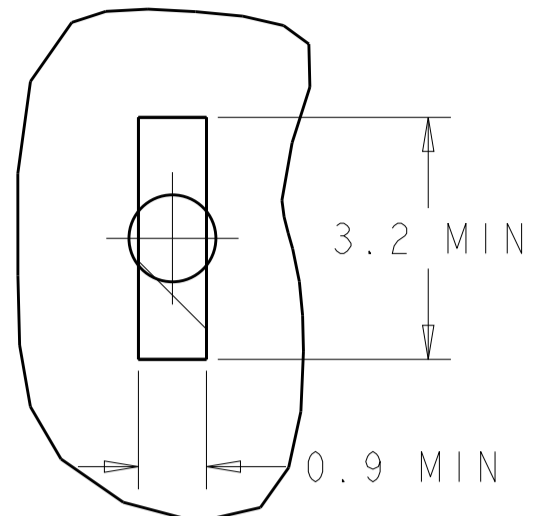
RECOMMENDED PC BOARD LAYOUT  
 SINGLE SIDE MOUNT CONFIGURATION  
 SCALE 4:1

3.75 MIN  $\Delta$   
 C OF FINAL ROW OF HOLES  
 TO C OF FIRST ROW OF HOLES  
 FOR NEXT ADJACENT CAGE

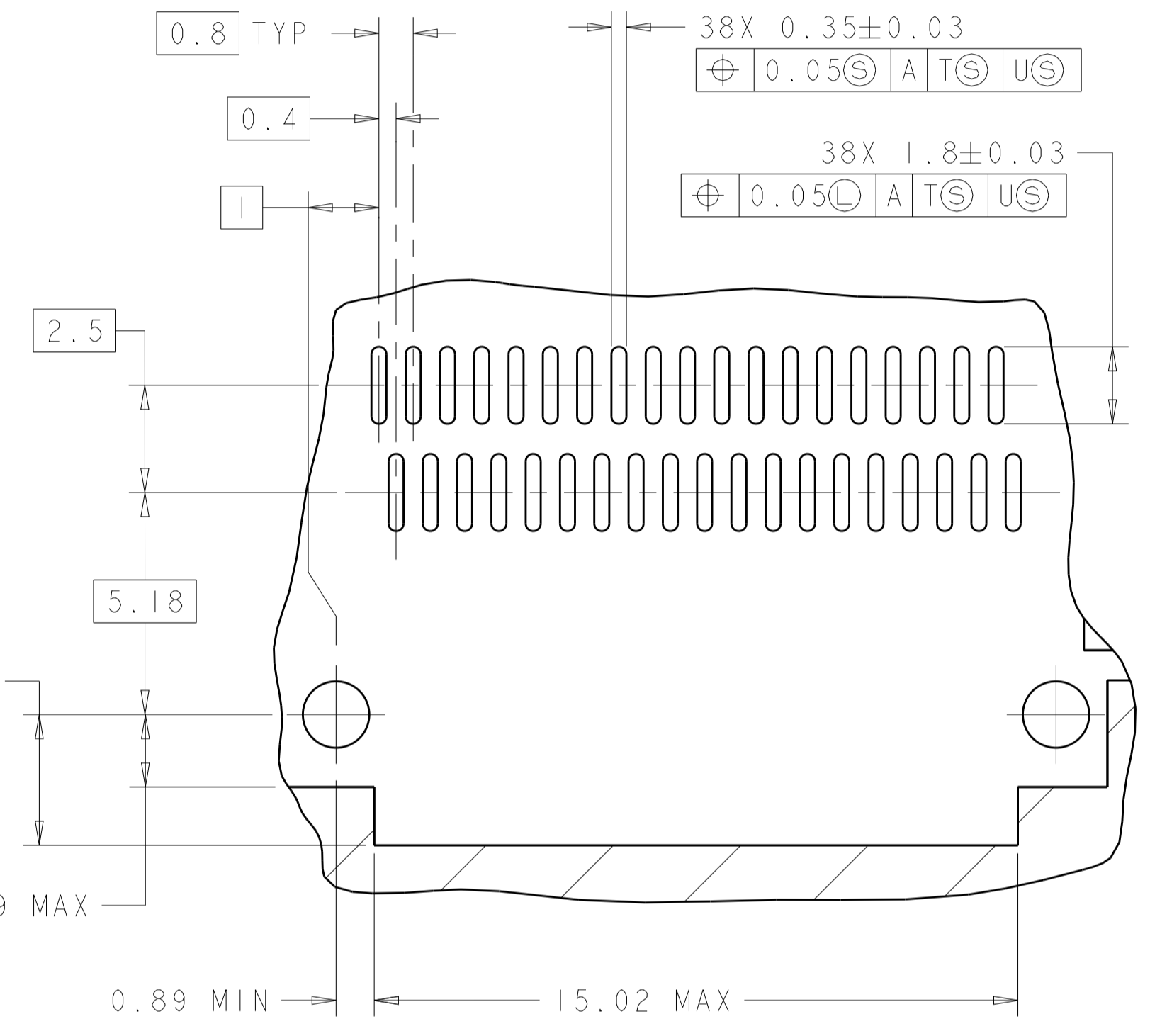
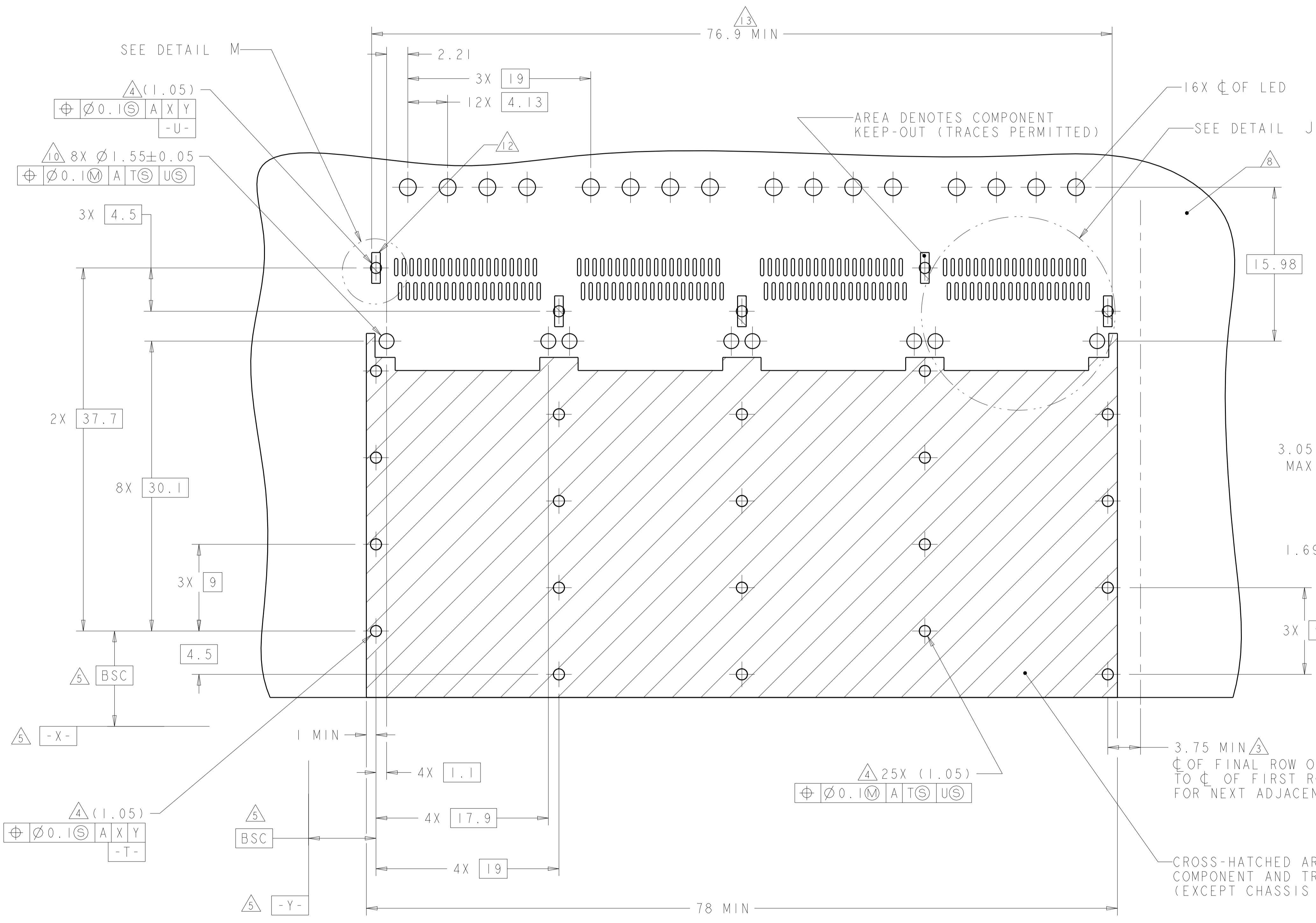
CROSS-HATCHED AREA DENOTES  
 COMPONENT AND TRACE KEEP-OUT  
 (EXCEPT CHASSIS GROUND)

THIS DRAWING IS A CONTROLLED DOCUMENT.		OWN: RINSEN SUN 29FEB2012	TE Connectivity
DIMENSIONS: mm		CHK: DENNY ZHU 29FEB2012	
TOLERANCES UNLESS OTHERWISE SPECIFIED:		APVD: ALEY CAI 29FEB2012	NAME: 1X4 CAGE ASSEMBLY, THRU BEZEL, W/ELASTOMERIC GASKET AND HEAT SINKS, QSFP
0 PLC	±0.35	PRODUCT SPEC	108-2286
2 PLC	±0.25	APPLICATION SPEC	114-13217
3 PLC	±	WEIGHT	
4 PLC	±	CUSTOMER DRAWING	
ANGLES	±	SCALE	1:1
MATERIAL		SHEET	5 OF 8
FINISH		REV	A

LOC	DIST	REV	DATE	BY	APPV
GP	00				



DETAIL M  
SCALE 10:1



DETAIL J  
3 PLACES  
SCALE 8:1

RECOMMENDED PC BOARD LAYOUT FOR 1-2170287-0  
 SINGLE SIDE MOUNT CONFIGURATION  
 SCALE 4:1

THIS PRODUCT HAS NOT COMPLETED VALIDATION/QUALIFICATION TESTING

THIS DRAWING IS A CONTROLLED DOCUMENT.		OWN: KINSEN SUN 29FEB2012	TE Connectivity
DIMENSIONS: mm		CHK: DENNY ZHU 29FEB2012	
TOLERANCES UNLESS OTHERWISE SPECIFIED:		APVD: ALEY CAI 29FEB2012	NAME: 1X4 CAGE ASSEMBLY, THRU BEZEL, W/ELASTOMERIC GASKET AND HEAT SINKS, QSFP
0 PLC ±0.35	1 PLC ±0.25	PRODUCT SPEC: 108-2286	SIZE: 114-13217
2 PLC ±0.25	3 PLC ±0.25	APPLICATION SPEC: 114-13217	RESTRICTED TO: A100779C=2170287
4 PLC ±0.25	5 PLC ±0.25	WEIGHT: -	CUSTOMER DRAWING
ANGLES #	FINISH #	SCALE: 1:1	SHEET 6 OF 8 REV A







# Mouser Electronics

Authorized Distributor

Click to View Pricing, Inventory, Delivery & Lifecycle Information:

[TE Connectivity:](#)

[2170287-2](#)