

PLC-RSP- 72UC/21/RW

Order No.: 2987037

The illustration shows the version PLC-RSP-24UC/21/RW




<http://eshop.phoenixcontact.de/phoenix/treeViewClick.do?UID=2987037>

6.2 mm PLC complete relay module with spring-cage connections for railway applications, input nominal voltage 72 V DC, range: $0.7 \times U_N$ to $1.25 \times U_N$, temperature class TX: -40°C to $+70^\circ\text{C}$. In accordance with EN 50155, EN 50178, EN 61373, EN 50121 and IEC 62103.



Commercial data

| | |
|--------------------------|--|
| GTIN (EAN) |  4 046356 155168 |
| sales group | G221 |
| Pack | 10 pcs. |
| Customs tariff | 85364900 |
| Catalog page information | Page 120 (IF-2011) |

Product notes

WEEE/RoHS-compliant since:
01/16/2007



<http://www.download.phoenixcontact.com>
Please note that the data given here has been taken from the online catalog. For comprehensive information and data, please refer to the user documentation. The General Terms and Conditions of Use apply to Internet downloads.

Technical data

Coil side

| | |
|---|--------------|
| Nominal input voltage U_N | 72 V DC |
| Input voltage range in reference to U_N | 0.7 ... 1.25 |
| Nominal input current at U_{IN} | 2.9 mA |

| | |
|---------------------------|-----------------------------------|
| Typical response time | 8 ms |
| Typical release time | 11 ms |
| Operating voltage display | Yellow LED |
| Protective circuit | Bridge rectifier Bridge rectifier |
| | Free-wheeling diode Damping diode |
| | Surge protection |
| | RCZ filter |
| | Wide-range electronics |

Contact side

| | |
|---------------------------------------|---|
| Contact type | Single contact, 1-PDT |
| Contact material | AgSnO |
| Maximum switching voltage | 250 V AC/DC (Separating plate PLC-ATP must be installed for voltages larger than 250 V (L1, L2, L3) between identical terminal blocks in adjacent modules.) |
| Minimum switching voltage | 5 V (at 100 mA) |
| Maximum inrush current | (on request) |
| Min. switching current | 10 mA (at 12 V) |
| Limiting continuous current | 6 A |
| Interrupting rating (ohmic load) max. | 140 W (at 24 V DC) |
| | 20 W (for 48 V DC) |
| | 18 W (for 60 V DC) |
| | 23 W (for 110 V DC) |
| | 40 W (for 220 V DC) |
| | 1500 VA (for 250 V AC) |

General data

| | |
|--|---|
| Width | 6.2 mm |
| Height | 80 mm |
| Depth | 94 mm |
| Test voltage relay winding/relay contact | 4 kV _{rms} (50 Hz, 1 min.) |
| Ambient temperature (operation) | -40 °C ... 70 °C (Temperature class TX) |
| Ambient temperature (storage/transport) | -40 °C ... 85 °C |
| Operating mode | 100% operating factor |
| Mechanical service life | Approx. 2 x 10 ⁷ cycles |
| Inflammability class acc. to UL 94 | V0 |

| | |
|----------------------------------|------------------------------|
| Standards/regulations | EN 50155 (VDE 0115 part 200) |
| | EN 50178 |
| | IEC 62103 |
| | EN 61373 |
| | EN 50121 |
| Rated surge voltage / insulation | 6 kV |
| Rated insulation voltage | 250 V AC |
| Pollution degree | 2 |
| Surge voltage category | III |
| Mounting position | Any |
| Assembly instructions | In rows with zero spacing |

Connection data

| | |
|--|------------------------|
| Connection method | Spring-cage connection |
| Conductor cross section solid min. | 0.14 mm ² |
| Conductor cross section solid max. | 2.5 mm ² |
| Conductor cross section stranded min. | 0.14 mm ² |
| Conductor cross section stranded max. | 2.5 mm ² |
| Conductor cross section AWG/kcmil min. | 26 |
| Conductor cross section AWG/kcmil max | 14 |
| Stripping length | 8 mm |

Certificates / Approvals



Certification

CUL Listed, GL, UL Listed

Accessories

| Item | Designation | Description |
|-----------------|--------------------------------|---|
| Assembly | | |
| 0801762 | NS 35/ 7,5 CU UNPERF 2000MM | DIN rail, material: Copper, unperforated, height 7.5 mm, width 35 mm, length: 2 m |

| | | |
|---------|------------------------------|--|
| 0801733 | NS 35/ 7,5 PERF 2000MM | DIN rail, material: Steel, galvanized and passivated with a thick layer, perforated, height 7.5 mm, width 35 mm, length: 2 m |
| 0801681 | NS 35/ 7,5 UNPERF 2000MM | DIN rail, material: Steel, unperforated, height 7.5 mm, width 35 mm, length: 2 m |
| 0801377 | NS 35/ 7,5 V2A UNPERF 2000MM | DIN rail, Width: 35 mm, Height: 7.5 mm, Length: 2000 mm, Color: silver |
| 1201756 | NS 35/15 AL UNPERF 2000MM | DIN rail, deep-drawn, high profile, unperforated, 1.5 mm thick, material: Aluminum, height 15 mm, width 35 mm, length 2 m |
| 1201895 | NS 35/15 CU UNPERF 2000MM | DIN rail, material: Copper, unperforated, 1.5 mm thick, height 15 mm, width 35 mm, length: 2 m |
| 1201730 | NS 35/15 PERF 2000MM | DIN rail, material: Steel, perforated, height 15 mm, width 35 mm, length: 2 m |
| 1201714 | NS 35/15 UNPERF 2000MM | DIN rail, material: Steel, unperforated, height 15 mm, width 35 mm, length: 2 m |
| 1201798 | NS 35/15-2,3 UNPERF 2000MM | DIN rail, material: Steel, unperforated, 2.3 mm thick, height 15 mm, width 35 mm, length: 2 m |
| 2966841 | PLC-ATP BK | Separating plate, 2 mm thick, required at the start and end of a PLC terminal strip. Furthermore, it is used for: visual separation of groups, safe isolation of different voltages of neighboring PLC relays in acc. with DIN VDE 0106-101, isolation |

Bridges

| | | |
|---------|-----------------|--|
| 2966812 | FBST 6-PLC BU | Single plug-in bridge, Length: 6 mm, Number of positions: 2, Color: blue |
| 2966825 | FBST 6-PLC GY | Single plug-in bridge, Length: 6 mm, Number of positions: 2, Color: gray |
| 2966236 | FBST 6-PLC RD | Single plug-in bridge, Length: 6 mm, Number of positions: 2, Color: red |
| 2967688 | FBST 8-PLC GY | Single plug-in bridge, Length: 8 mm, Number of positions: 2, Color: gray |
| 2966692 | FBST 500-PLC BU | Continuous plug-in bridge, Length: 500 mm, Color: blue |
| 2966838 | FBST 500-PLC GY | Continuous plug-in bridge, Length: 500 mm, Color: gray |
| 2966786 | FBST 500-PLC RD | Continuous plug-in bridge, Length: 500 mm, Color: red |

General

| | | |
|---------|-----------------|---|
| 2966508 | PLC-ESK GY | Power terminal block, for the input of up to four potentials, for mounting on NS 35/7.5 |
| 2961231 | REL-MR- 48DC/21 | Plug-in miniature relay, with power contact, 1 PDT, 48 V DC input voltage |

Marking

| | | |
|---------|-----------------------|---|
| 1051016 | ZB 6,LGS:FORTL.ZAHLEN | Zack marker strip, 10-section, printed horizontally: with the numbers 1 - 10, 11 - 20 and so on up to 491 - 500, color: white |
|---------|-----------------------|---|

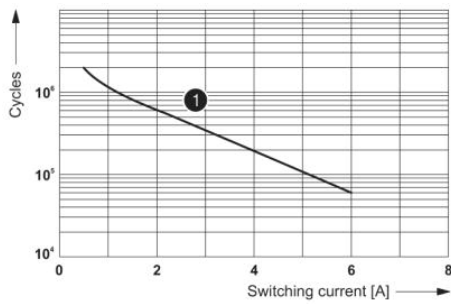
| | | |
|---------|------------------------|--|
| 5060935 | ZB 6/WH-100:UNBEDRUCKT | Zack strip, unprinted: For individual labeling with M-PEN, ZB-T or CMS system, large batch, sufficient for labeling 1000 terminal blocks, for a terminal width of 6.2 mm, color: White |
| 1051003 | ZB 6:UNBEDRUCKT | Zack strip, unprinted, strips with 10 labels for individual labeling with M-PEN or CMS system, for terminal block width: 6.2 mm, color: white |

Tools

| | | |
|---------|---------------|---|
| 1204517 | SZF 1-0,6X3,5 | Actuation tool, for ST terminal blocks, also suitable for use as a bladed screwdriver, size: 0.6 x 3.5 x 100 mm, 2-component grip, with non-slip grip |
|---------|---------------|---|

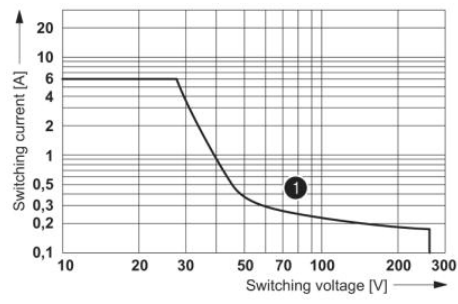
Diagrams/Drawings

Diagram



1 250 V AC, ohmic load

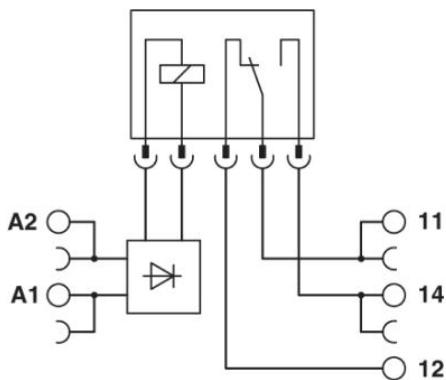
Electrical service life



1 ohmic load

DC interrupting rating

Circuit diagram



Address

PHOENIX CONTACT Inc., USA
586 Fulling Mill Road
Middletown, PA 17057, USA
Phone (800) 888-7388
Fax (717) 944-1625
<http://www.phoenixcon.com>



© 2011 Phoenix Contact
Technical modifications reserved;