

4

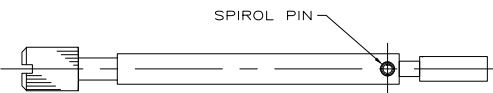
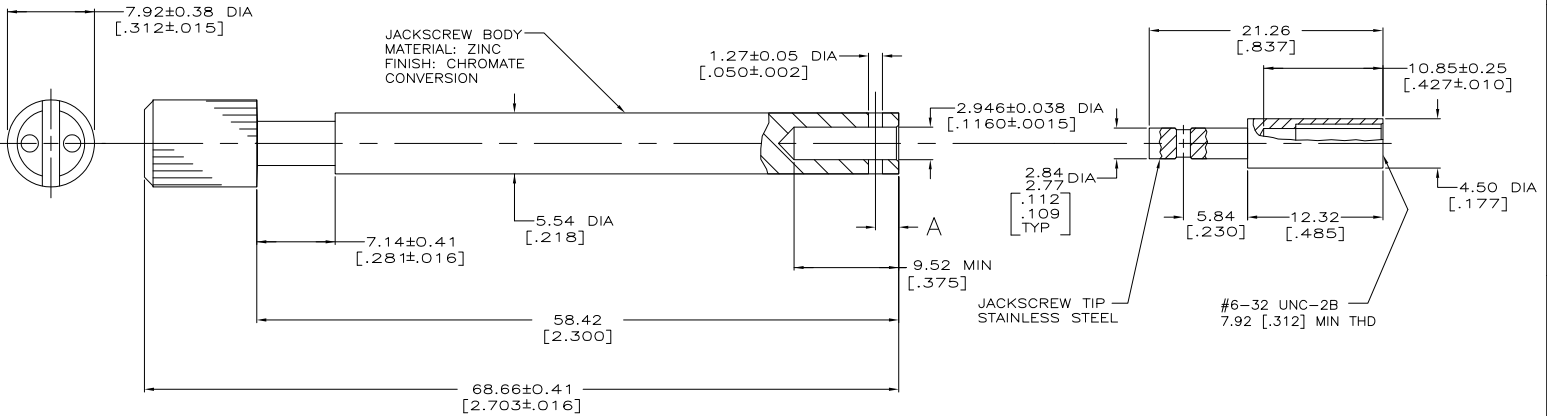
3

2

1

THIS DRAWING IS UNPUBLISHED. RELEASED FOR PUBLICATION  
 BY TYCO ELECTRONICS CORPORATION. ALL RIGHTS RESERVED.

LOC	DIST	REVISIONS		
F	LTR	DESCRIPTION	DATE	BY
B1		REVISED PER ECO-06-25037	11/7/06	SS GS



ASSEMBLED VIEW

- △ CHROMATE CONVERSION WITH HEXAVALENT CHROMATE.
- △ CHROMATE CONVERSION WITHOUT HEXAVALENT CHROMATE.

	△	3.38 [0.113]	207235-5
OBSOLETE	△	2.11 [0.083]	207235-3
	△	3.38 [0.113]	207235-1
NOTE	A	PART NUMBER	

DIMENSIONS		TOLERANCES UNLESS OTHERWISE SPECIFIED		DATE	
mm	[INCHES]	0 PLC	±	14 MAR 96	14 MAR 96
		1 PLC	±	18 MAR 96	18 MAR 96
		2 PLC	±	17 APR 96	17 APR 96
		3 PLC	± 0.13 (0.05)		
		4 PLC	±		
		ANGLES	±		
		FINISH			

THIS DRAWING IS A CONTROLLED DOCUMENT.	BY: S. CARBO	DATE: 14 MAR 96	Tyco Electronics Corporation Harrisburg, PA 17105-3608
	CHK: S. STONE	DATE: 18 MAR 96	
	APP: G. STEINHAUER	DATE: 17 APR 96	
	PRODUCT SPEC:		
	APPLICATION SPEC:		
	WEIGHT:		
MATERIAL:		SIZE: ONE CODE (PARTS) NO:	RESTRICTED TO:
FINISH:		A2 00779 C=207235	
		CUSTOMER DRAWING	SCALE: 4:1 SHEET 1 of 1 REV B1

AMP 1471-9 REV 31MM2000

207235

A