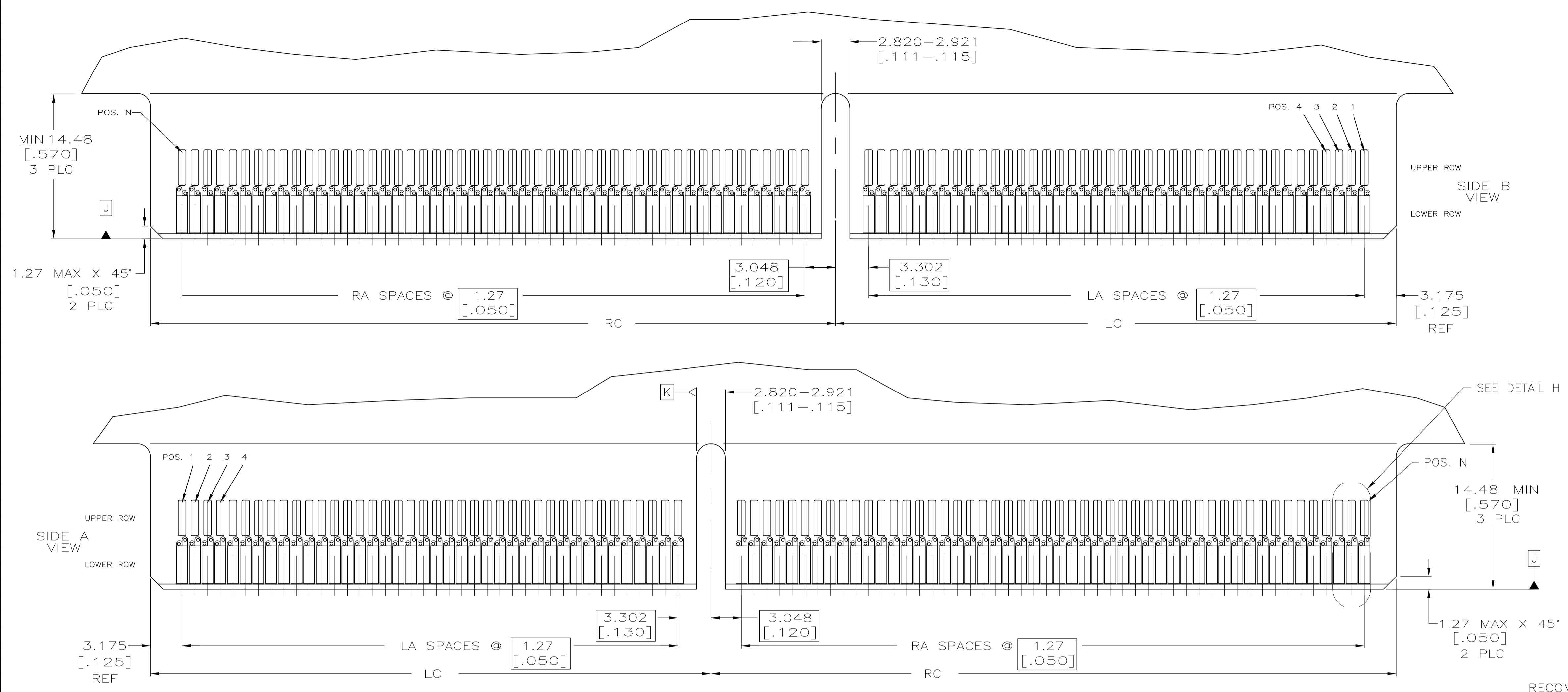


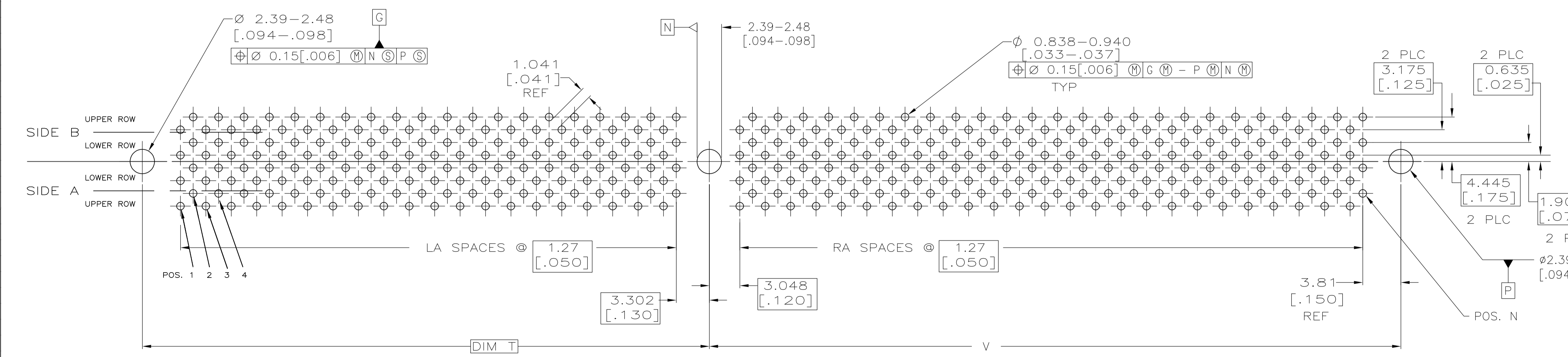
- MATERIAL: PCT, COLOR- BROWN.
- UPPER & LOWER CONTACT MATERIAL: PHOSPHOR BRONZE PER CDA C51100. FASTENER MATERIAL: BRASS
- CONTACT FINISH:  
ON MATING SURFACES-  
0.00076 [.000030] MIN GOLD PLATE OVER  
0.00127 [.000050] MIN NICKEL.  
ON SOLDER LEADS-  
0.00254 [.000100] MIN TIN OVER 0.00127 [.000050] MIN NICKEL
- PART NUMBER AND DATE CODE MARKED ON THIS SURFACE.
- CONTACT AREA LUBRICATED WITH BELLCORE APPROVED LUBRICANT. TECHNICAL REFERENCE GR-1217-CORE. ISSUE 1, NOVEMBER 1995.

THIS DRAWING IS A CONTROLLED DOCUMENT.		DIN G. ATTADIA/LA. MAYER 15JAN2008		Tyco Electronics Corporation	
DIMENSIONS: mm		CIK P. RECCE 15JAN2008		Harrisburg, Pa 17105-3608	
TOLERANCES UNLESS OTHERWISE SPECIFIED:		APVD S. FLICKINGER 15JAN2008		NAME	
0 PLC ± -		NAME		CONNECTOR ASSEMBLY, SEC-Z (FOR .062 DAUGHTER BOARD)	
1 PLC ± .13 [.005]		PRODUCT SPEC		108-1863	
2 PLC ± .13 [.005]		APPLICATION SPEC		SIZE CASE CODE DRAWING NO RESTRICTED TO	
3 PLC ± .13 [.005]		WEIGHT		A1 00779 C=2110070	
4 PLC ± .13 [.005]		CUSTOMER DRAWING		SCALE 4:1 SHEET 1 OF 2 REV A	

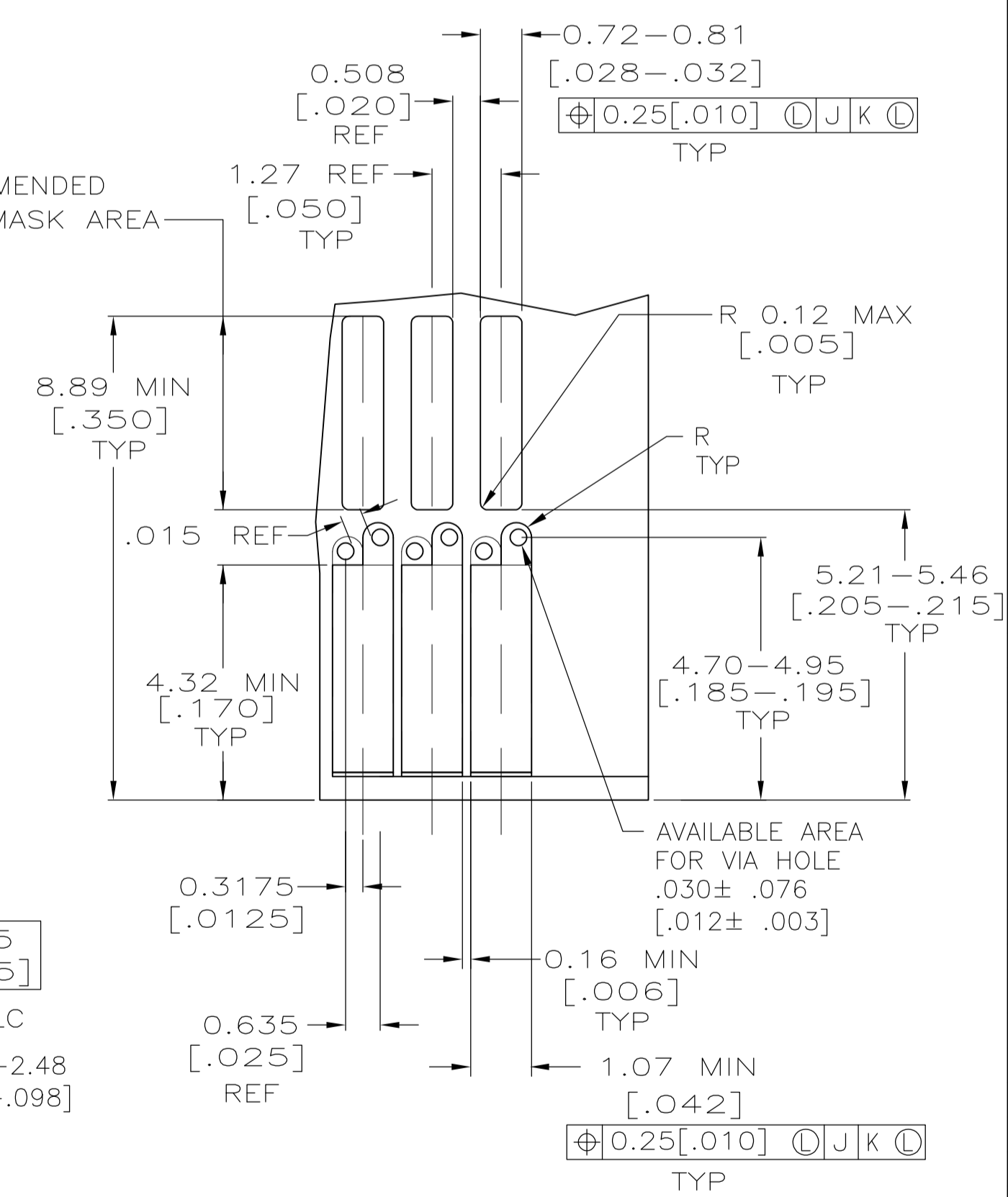
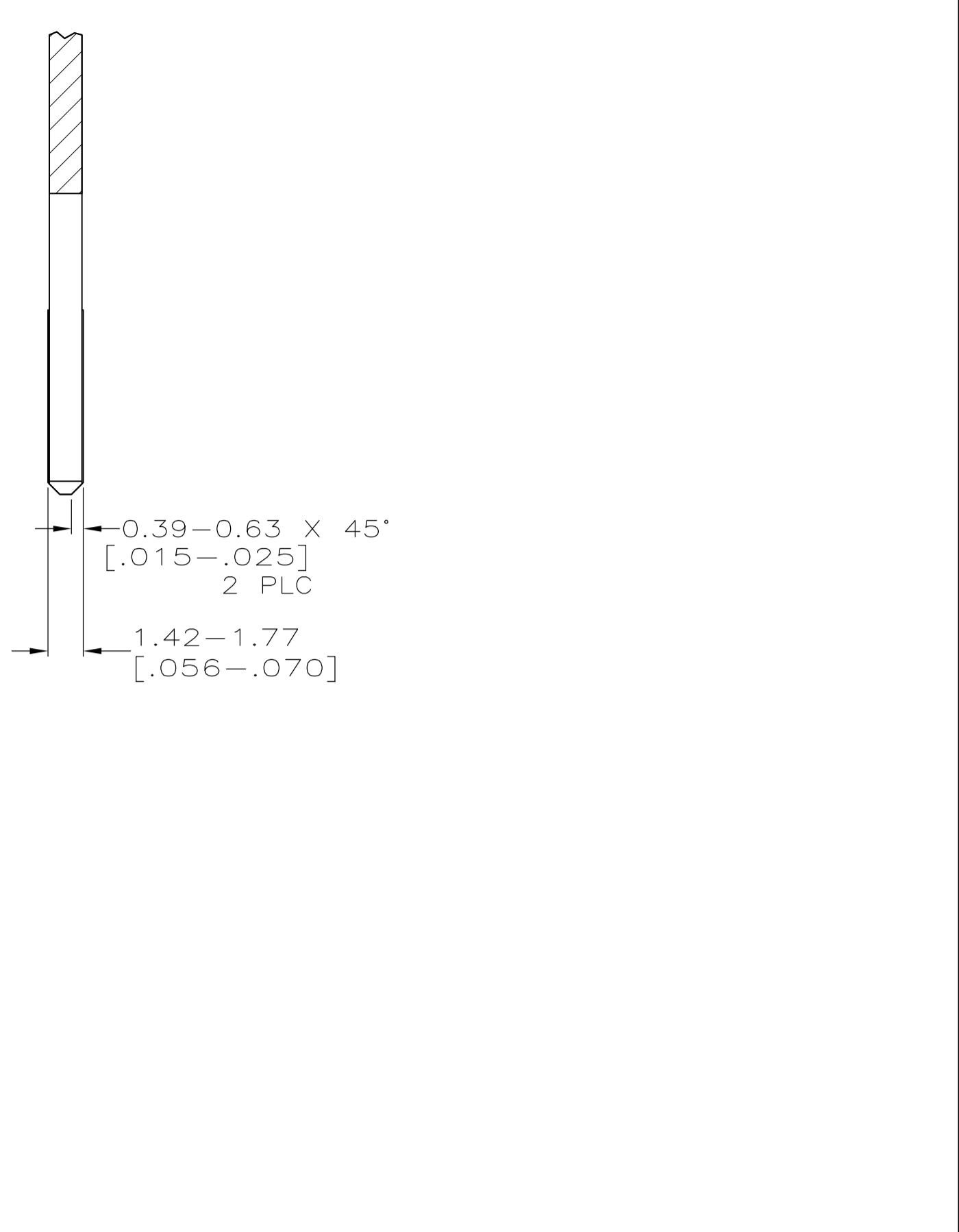
LOC		DIST		REVISIONS				
AA	00	P	LTR	DESCRIPTION	DATE	DN	APVD	
				SEE SHEET 1				



RECOMMENDED FREE BOARD EDGE CONFIGURATION



RECOMMENDED FIXED BOARD CONFIGURATION  
 (CONNECTOR SIDE SHOWN)



DETAIL H  
 SCALE: 10 : 1

THIS DRAWING IS A CONTROLLED DOCUMENT.		DIN 91-27-05 G. ATTADIA/LA. MAYER		Tyco Electronics Corporation Harrisburg, Pa 17105-3608	
DIMENSIONS: mm		TOLERANCES UNLESS OTHERWISE SPECIFIED:		NAME: S. FLICKINGER	
0 PLC ± -		1 PLC ± -		DATE: 15JAN2008	
1 PLC ± -		2 PLC ± -		PRODUCT SPEC: 108-186.3	
2 PLC ± -		3 PLC ± -		APPLICATION SPEC: -	
3 PLC ± -		4 PLC ± -		SIZE: A1	
4 PLC ± -		ANGLES: ± 3°		CAGE CODE: 00779	
MATERIAL: -		FINISH: -		DRAWING NO: 2110070	
WEIGHT: -		CUSTOMER DRAWING: -		RESTRICTED TO: -	
SCALE: 4:1		SHEET: 2 OF 2		REV: A	