

Type 1/2 surge protection device - POWERSET BC/3+1-100/FM - 2858467

Please be informed that the data shown in this PDF Document is generated from our Online Catalog. Please find the complete data in the user's documentation. Our General Terms of Use for Downloads are valid (<http://phoenixcontact.com/download>)



AEC arrester combination consisting of 3 x FLT 35 CTRL-0,9; 3 x VAL-MS 230/FM and 1 x FLT 100 N/PE CTR-1,5, incl. bridges and labeling



Key Commercial Data

Packing unit	1 pc
Weight per Piece (excluding packing)	1279.5 g
Custom tariff number	85363030
Country of origin	Germany

Technical data

Note

Trade restriction	The products are offered exclusively for export outside the EU and the European Economic Area.
-------------------	--

Environmental Product Compliance

REACH SVHC	DBP 84-74-2
------------	-------------

Dimensions

Height	112.4 mm
Width	142 mm
Depth	65.5 mm
Horizontal pitch	8 Div.

General

IEC test classification	I + II
EN type	T1 + T2
Mounting type	DIN rail: 35 mm
Color	black
Housing material	PA 6.6-FR

Type 1/2 surge protection device - POWERSET BC/3+1-100/FM - 2858467

Technical data

General

Type	DIN rail module, two-section, divisible
Surge protection fault message	Optical (Type 2 arrester), remote indication contact (Type 2 arrester)

Protective circuit

Maximum continuous operating voltage U_C (L-PE)	260 V AC
Nominal discharge current I_n (8/20) μ s	35 kA
Voltage protection level U_p (L-N)	≤ 0.9 kV
Voltage protection level U_p (L-PE)	≤ 1.5 kV
Voltage protection level U_p (N-PE)	≤ 1.5 kV
Max. backup fuse with branch wiring	125 A (gL)

Indicator/remote signaling

Connection name	Remote fault indicator contact
Switching function	PDT contact
Conductor cross section flexible min.	0.14 mm ²
Conductor cross section flexible max.	1.5 mm ²
Conductor cross section solid min.	0.14 mm ²
Conductor cross section solid max.	1.5 mm ²
Conductor cross section AWG min.	28
Conductor cross section AWG max.	16

Connection data

Connection name	FLT...
Conductor cross section flexible min.	16 mm ²
Conductor cross section flexible max.	35 mm ²
Conductor cross section solid min.	10 mm ²
Conductor cross section solid max.	50 mm ²
Screw thread	M6
Tightening torque	8 Nm
Stripping length	19 mm

Classifications

eCl@ss

eCl@ss 4.0	27140201
eCl@ss 4.1	27140201
eCl@ss 5.0	27140201
eCl@ss 5.1	27140201
eCl@ss 6.0	27140201

Type 1/2 surge protection device - POWERSET BC/3+1-100/FM - 2858467

Classifications

eCl@ss

eCl@ss 7.0	27140201
eCl@ss 8.0	27130802
eCl@ss 9.0	27130802

ETIM

ETIM 2.0	EC001457
ETIM 3.0	EC001457
ETIM 4.0	EC001457
ETIM 5.0	EC000381

UNSPSC

UNSPSC 6.01	30212010
UNSPSC 7.0901	39121610
UNSPSC 11	39121610
UNSPSC 12.01	39121610
UNSPSC 13.2	39121620

Approvals

Approvals

Approvals

EAC

Ex Approvals

Approvals submitted

Approval details

EAC

Accessories

Accessories

Device marking

Type 1/2 surge protection device - POWERSET BC/3+1-100/FM - 2858467

Accessories

Zack marker strip - ZBN 18:UNBEDRUCKT - 2809128



Zack marker strip, Strip, white, unlabeled, can be labeled with: Plotter, Mounting type: Snap into tall marker groove, for terminal block width: 18 mm, Lettering field: 18 x 5 mm

Zack marker strip - ZBN 18:UNBEDRUCKT - 2809128



Zack marker strip, Strip, white, unlabeled, can be labeled with: Plotter, Mounting type: Snap into tall marker groove, for terminal block width: 18 mm, Lettering field: 18 x 5 mm

Labeled device marker

Marker for terminal blocks - ZBN 18,LGS:ERDE - 2749589



Marker for terminal blocks, Strip, white, labeled, Horizontal: Grounding symbol, Mounting type: Snap into tall marker groove, for terminal block width: 18 mm, Lettering field: 18 x 5 mm

Marker for terminal blocks - ZBN 18,LGS:ERDE - 2749589



Marker for terminal blocks, Strip, white, labeled, Horizontal: Grounding symbol, Mounting type: Snap into tall marker groove, for terminal block width: 18 mm, Lettering field: 18 x 5 mm

Marker pen

Marker pen - B-STIFT - 1051993



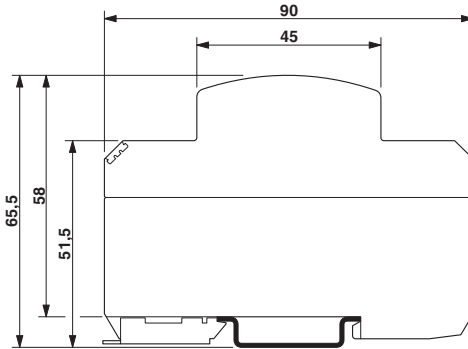
Marker pen, for manual labeling of unprinted Zack strips, smear-proof and waterproof, line thickness 0.5 mm

Type 1/2 surge protection device - POWERSET BC/3+1-100/FM - 2858467

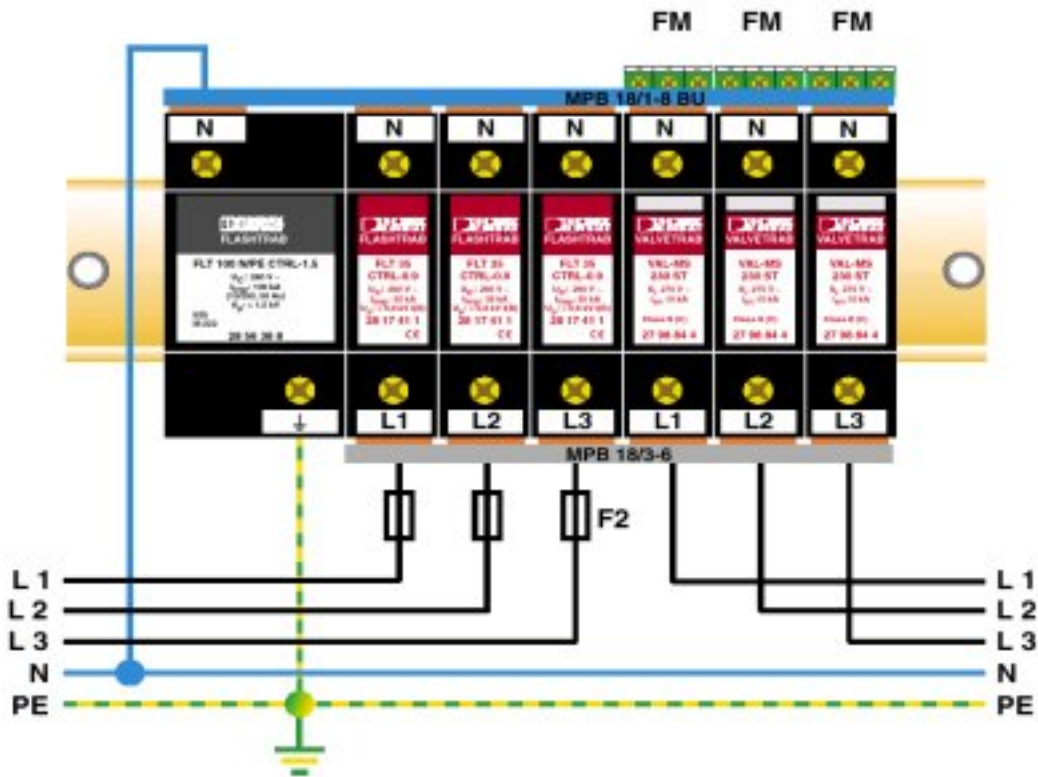
Accessories

Drawings

Dimensional drawing



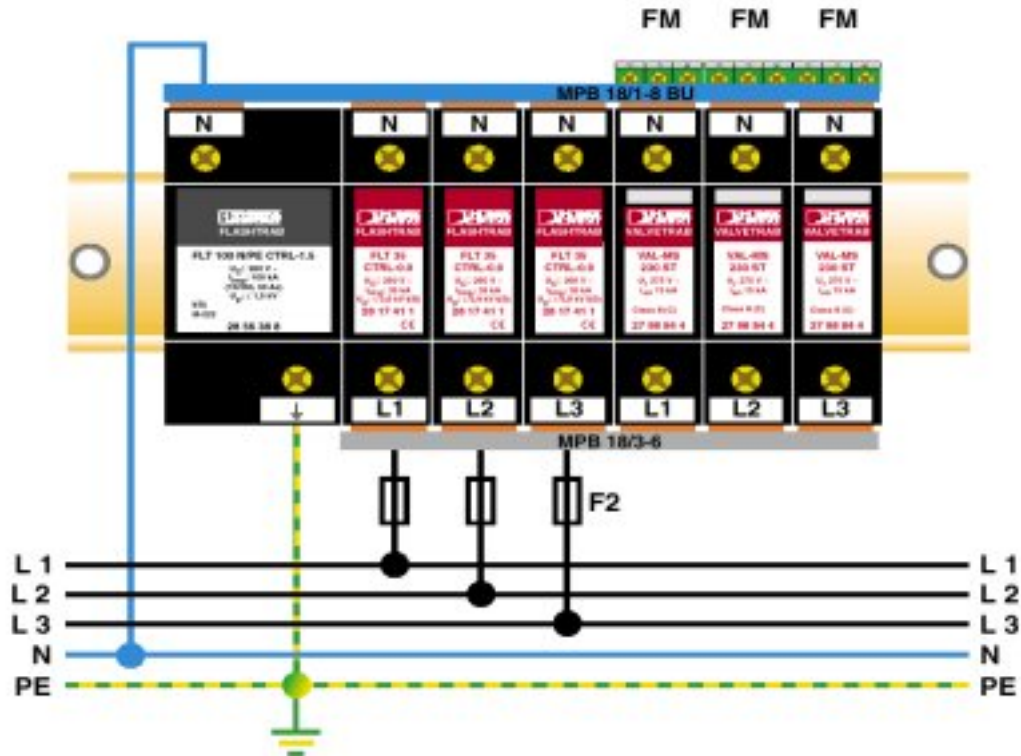
Application drawing



V-shaped connection $F2 \leq 80 \text{ A gl}$

Type 1/2 surge protection device - POWERSET BC/3+1-100/FM - 2858467

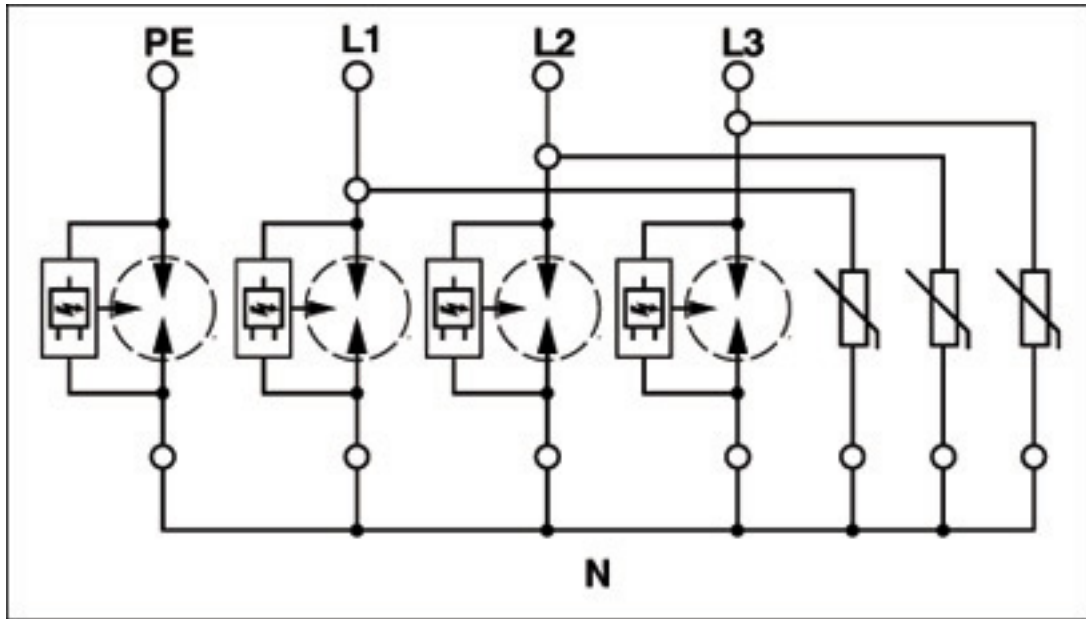
Application drawing



V-shaped connection $F2 \leq 125$ A gl

Type 1/2 surge protection device - POWERSET BC/3+1-100/FM - 2858467

Circuit diagram



Mouser Electronics

Authorized Distributor

Click to View Pricing, Inventory, Delivery & Lifecycle Information:

[Phoenix Contact:](#)

[2858467](#)