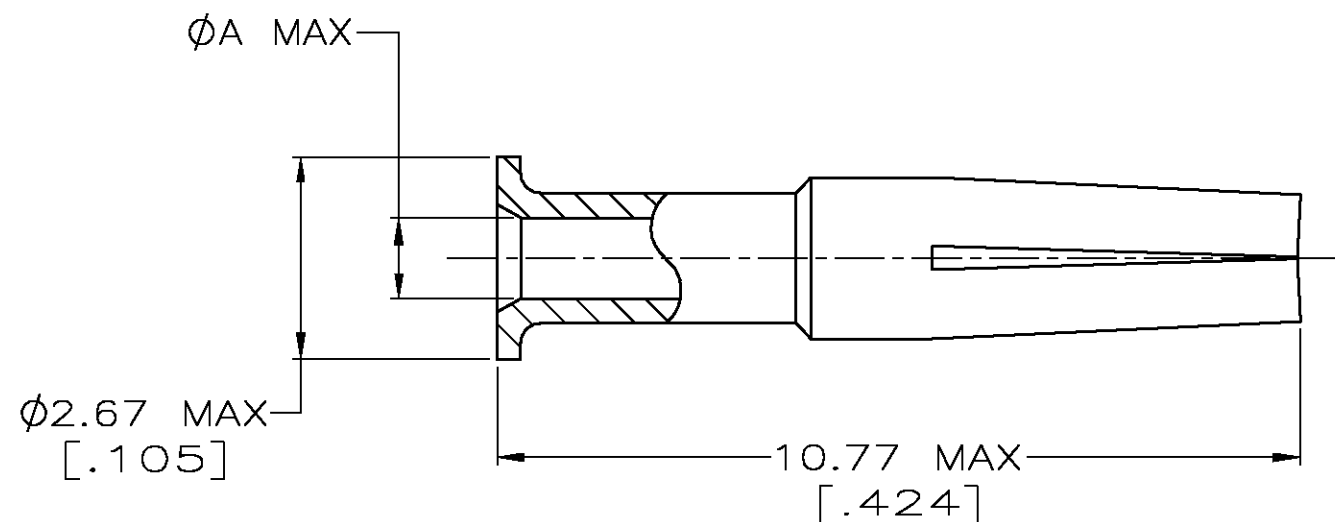


AJ

16

P	LTR	DESCRIPTION	DATE	DWN	APVD
	C	REVISED PER OS14-0355-03.	31DEC03	JGH	JGH



1. BERYLLIUM COPPER PER ASTM-B-197.
2. GOLD PLATE PER MIL-G-45204, $0.76 \mu m$ [.000030] MIN THICKNESS.
3. SILVER PLATE PER QQ-S-365, $2.54 \mu m$ [.000100] MIN THICKNESS.
4. TIN-LEAD PLATE PER ASTM-B-545, $2.54 \mu m$ [.000100] MIN THICKNESS.

1.22 [.048]	2	3-221149-6
0.41 [.016]	2	3-221149-1
1.14 [.045]	2	2-221149-6
0.64 [.025]	3	2-221149-1
0.64 [.025]	2	2-221149-0
0.64 [.025]	4	1-221149-9
0.81 [.032]	3	1-221149-4
0.81 [.032]	2	1-221149-3
0.81 [.032]	4	1-221149-2
1.07 [.042]	3	221149-7
1.07 [.042]	2	221149-6
1.07 [.042]	4	221149-5
A	FINISH	PART NUMBER

THIS DRAWING IS A CONTROLLED DOCUMENT.		DWN 12JAN96 MICHAEL E. COWHER	AMP AMP Incorporated Harrisburg, PA 17105-3608
DIMENSIONS: mm [INCHES]		CHK 15JAN96 MICHAEL J. PHILLIPS	
TOLERANCES UNLESS OTHERWISE SPECIFIED:		APVD 15JAN96 MICHAEL J. PHILLIPS	NAME CONTACT, JACK, COMMERCIAL, BNC
0 PLC ±-		PRODUCT SPEC	SIZE A3
1 PLC ±-		APPLICATION SPEC	CAGE CODE 00779
2 PLC ±-		WEIGHT	DRAWING NO C-221149
3 PLC ±-		CUSTOMER DRAWING	SCALE 10:1
4 PLC ±-			SHEET 1 OF 1
ANGLES ±-			REV C
MATERIAL SEE NOTES	FINISH SEE TABLE		

Mouser Electronics

Authorized Distributor

Click to View Pricing, Inventory, Delivery & Lifecycle Information:

[TE Connectivity:](#)

[2-221149-6](#)