

4

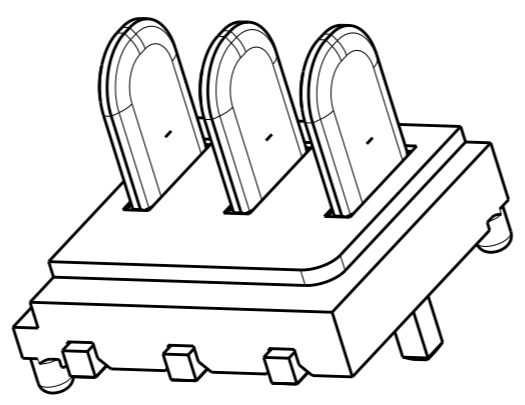
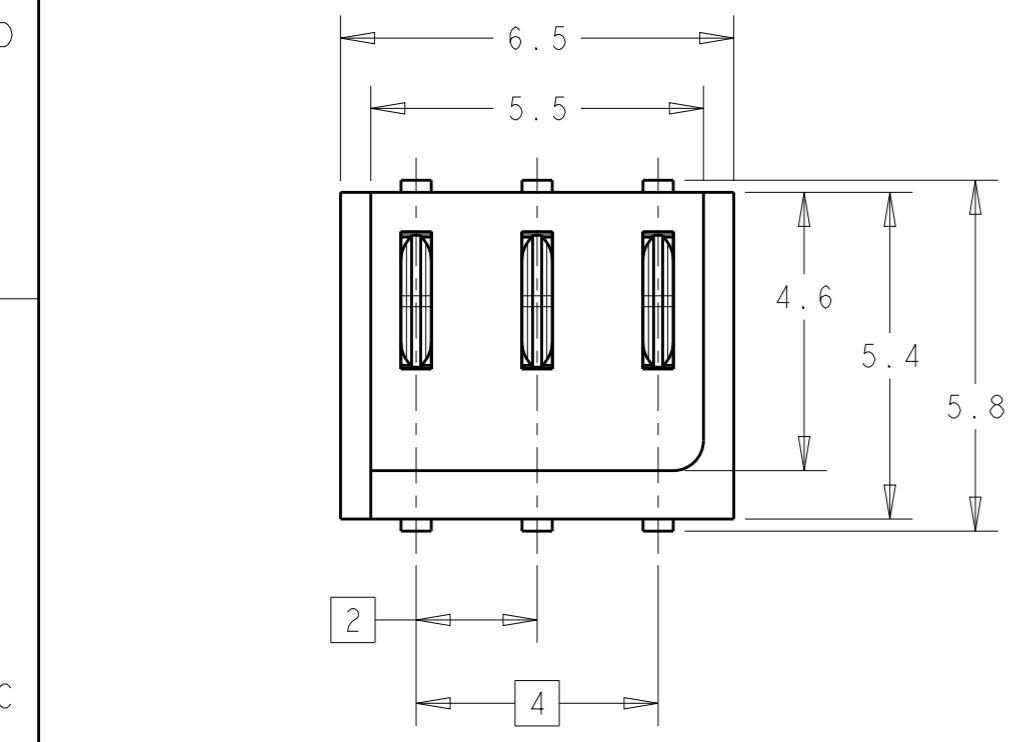
3

2

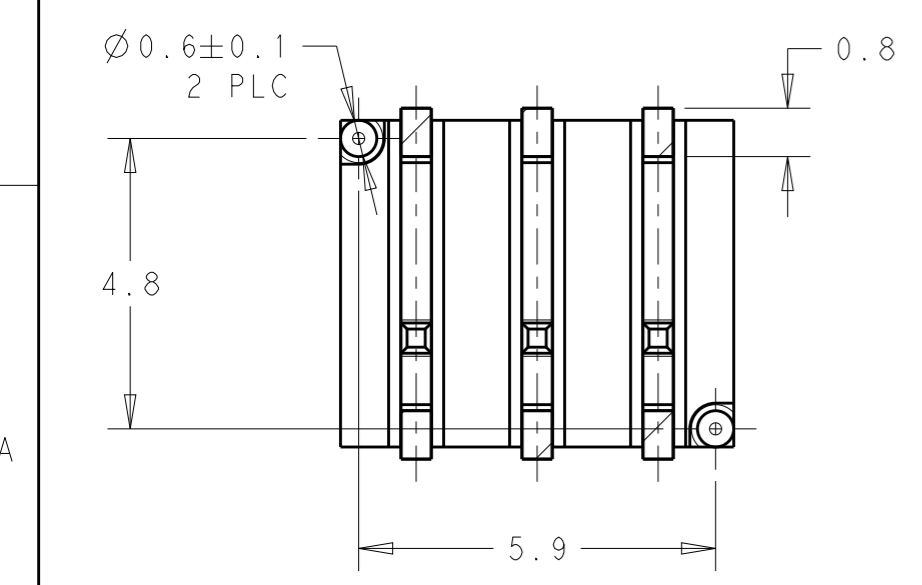
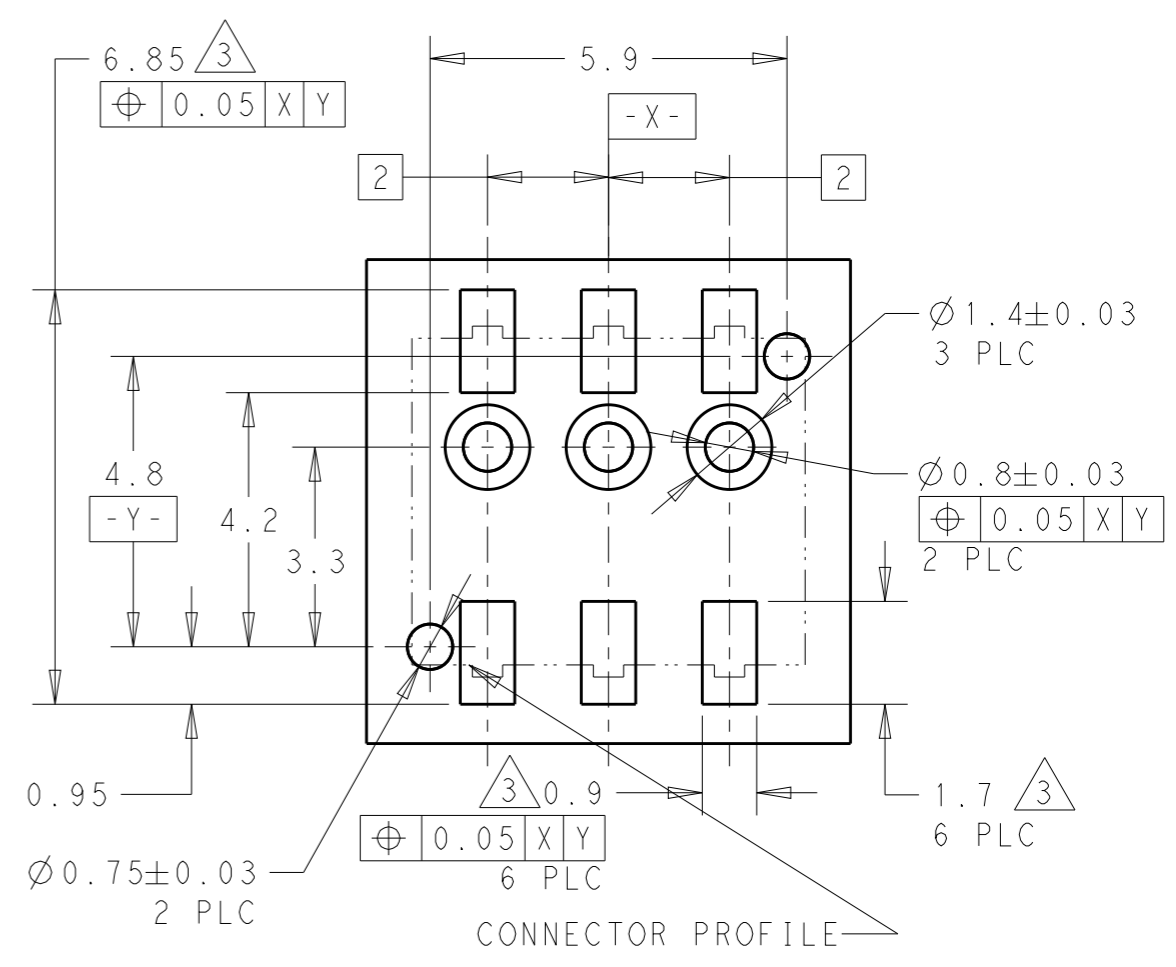
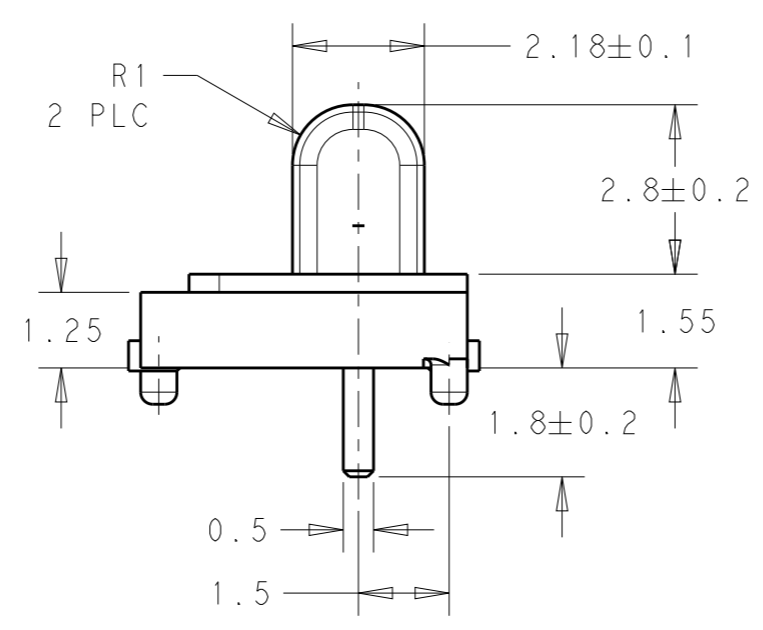
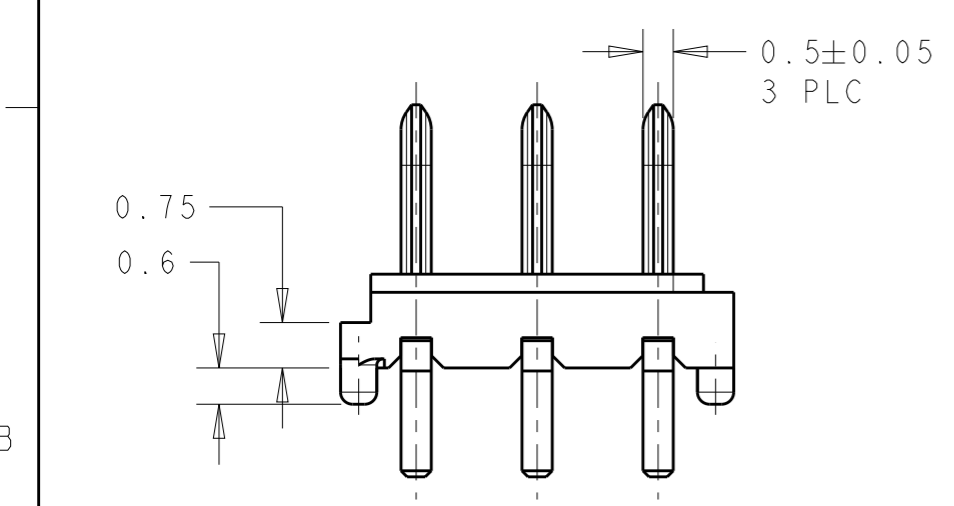
1

THIS DRAWING IS UNPUBLISHED. RELEASED FOR PUBLICATION 20
 © COPYRIGHT 20 BY - ALL RIGHTS RESERVED.

LOC		DIST		REVISIONS			
P	LTR	DESCRIPTION	DATE	DWN	APVD		
-	-						




NOTES:
 1 MATERIAL:
 HOUSING; THERMOPLASTIC RESIN , UL94V-0, BLACK
 CONTACT; COPPER ALLOY
 2 FINISH: ALL OVER Ni UNDER PLATING.
 CONTACT AREA: GOLD PLATING
 SODERING AREA: GOLD FLASH
 3 NECESSARY SURFACEMOUNTING BY REFLOW



RECOMMENDEN PCB LAYOUT
 GENTAL TOLERANCE ±0.05

2199011-1 AS SHOWN

THIS DRAWING IS A CONTROLLED DOCUMENT.		DWN	E.L	11 JAN 2012	 TE Connectivity
DIMENSIONS: mm		CHK	X.X	11 JAN 2012	
TOLERANCES UNLESS OTHERWISE SPECIFIED:		APVD	X.X	11 JAN 2012	
0 PLC ±- 1 PLC ±0.3 2 PLC ±0.25 3 PLC ±0.2 4 PLC ±0.2 ANGLES ±-		PRODUCT SPEC	108-5846		
MATERIAL		FINISH		APPLICATION SPEC	NAME
1		2		-	BATTERY BLOCK PLUG ASSEMBLY 3 POS 2.0MM PITCH
		WEIGHT	0.21 G		SIZE
		Customer Drawing		A3	CAGE CODE
				00779	DRAWING NO
				G-2199011	RESTRICTED TO
					-
				SCALE	8:1
				SHEET	1 OF 1
				REV	A

Mouser Electronics

Authorized Distributor

Click to View Pricing, Inventory, Delivery & Lifecycle Information:

[TE Connectivity:](#)

[2199011-1](#)