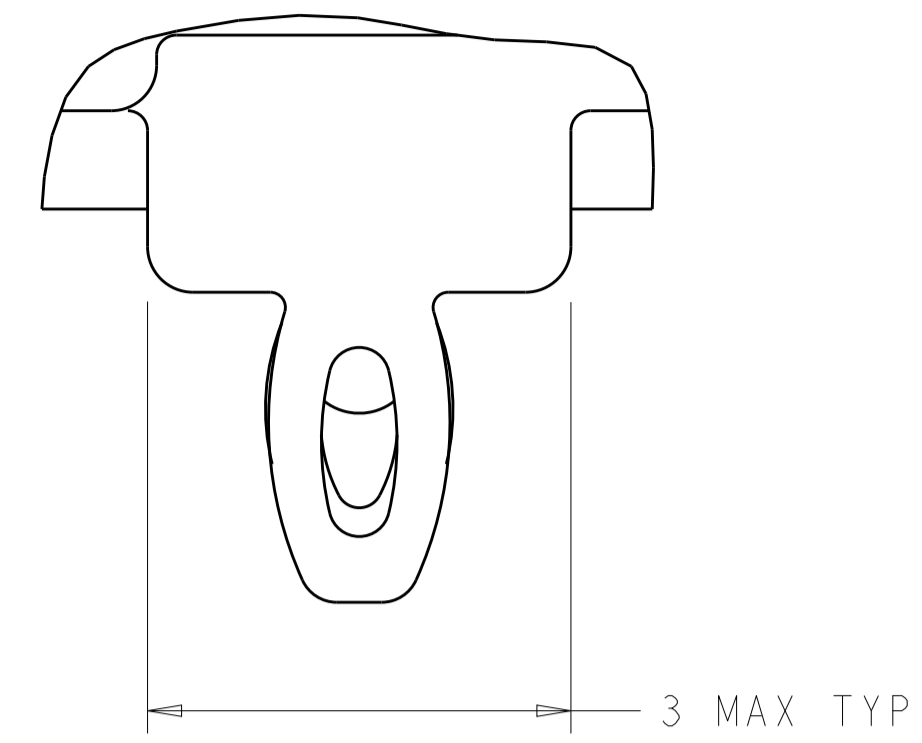


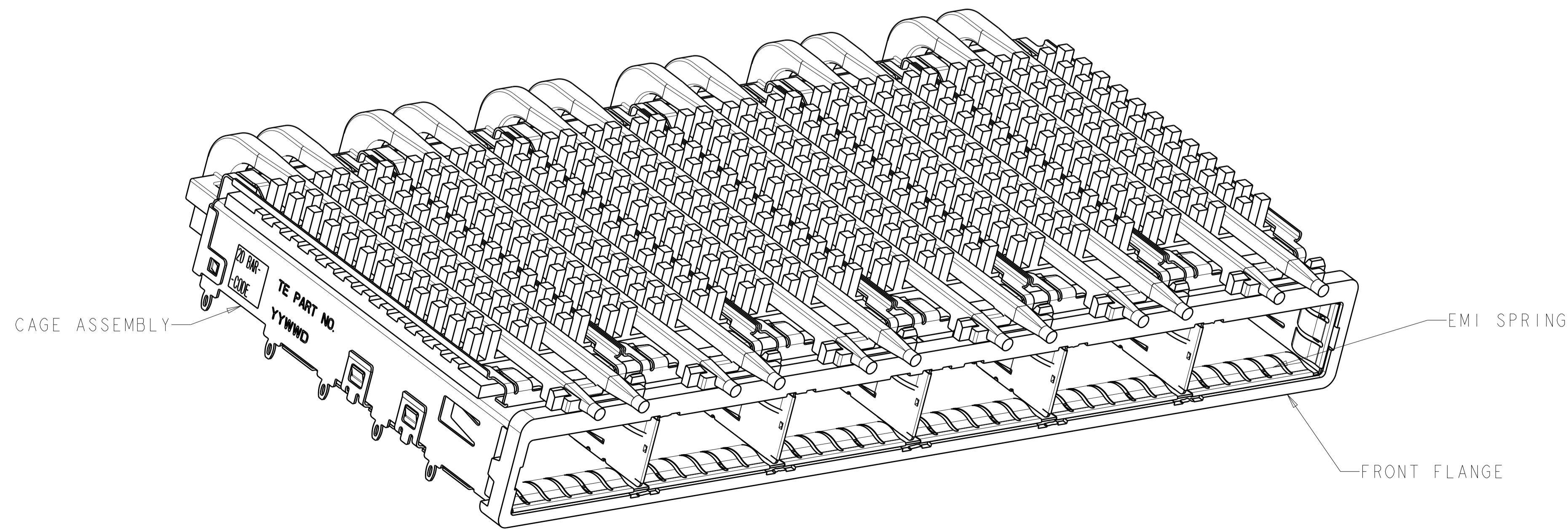
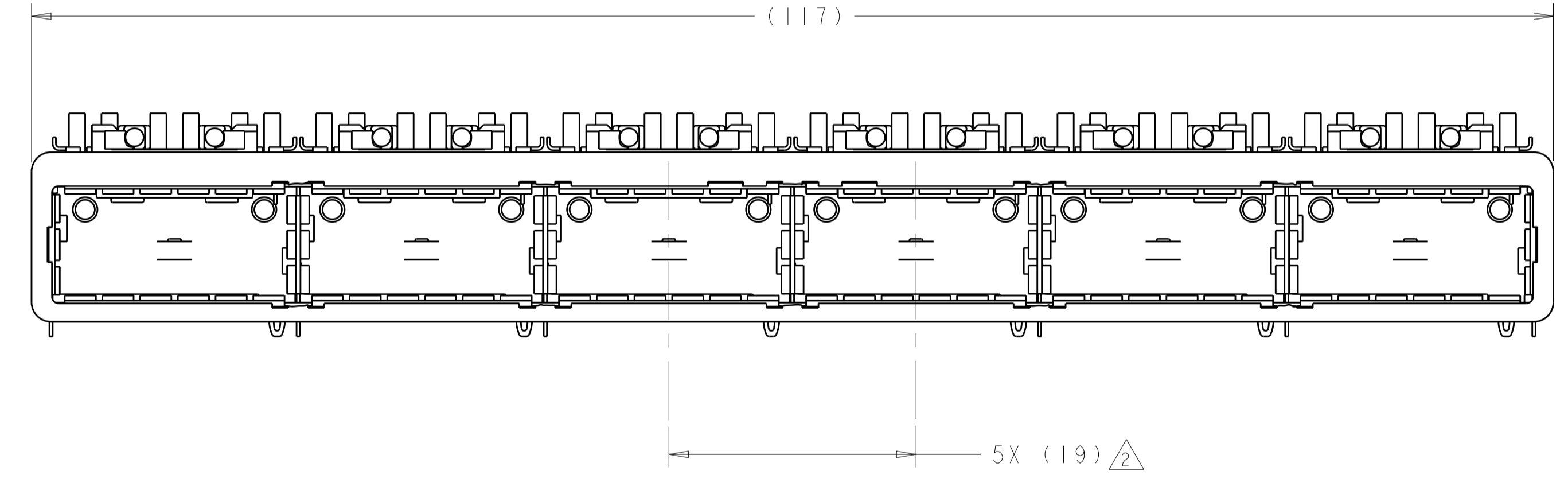
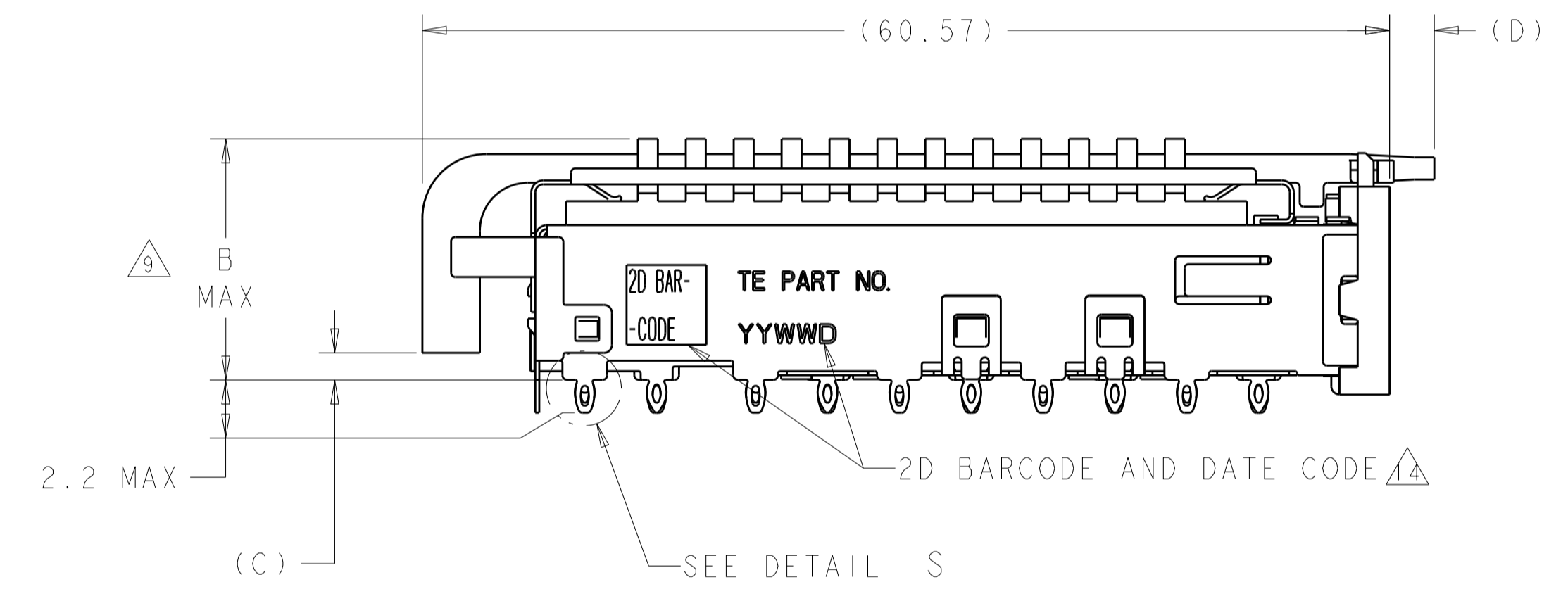
LOC	DIST	REVISIONS					
		P	LTN	DESCRIPTION	DATE	DWN	APVD
GP	00	A		RELEASE TO A PER ECO-15-018552	28DEC2015	RG	SH



DETAIL S  
 SCALE 20:1

- 1 CAGE ASSEMBLY MATERIAL: NICKEL SILVER, 0.25 THICK  
 HEAT SINK MATERIAL: ALUMINUM  
 HEAT SINK CLIP MATERIAL: STAINLESS STEEL  
 EMI SPRING MATERIAL: COPPER ALLOY  
 FRONT FLANGE MATERIAL: ZINC ALLOY  
 LIGHT PIPE MATERIAL: CLEAR POLYCARBONATE
- 2 PITCH BETWEEN PORTS OF ONE 1X6 CAGE ASSEMBLY.
- 3 SPACING BETWEEN CAGES ON THE SAME PC BOARD, TO BE SPECIFIED BY CUSTOMER, MUST COMPLY WITH MINIMUM DIMENSIONS SHOWN.
- 4 REFERENCE APPLICATION SPEC 114-13218 FOR RECOMMENDED DRILL HOLE DIAMETER AND PLATING THICKNESS.
- 5 DATUMS AND BASIC DIMENSIONS ESTABLISHED BY CUSTOMER.
- 6 DIMENSION F IS THE NOMINAL THICKNESS OF CUSTOMER SUPPLIED PC BOARD,  
 SINGLE SIDED PC BOARD MINIMUM THICKNESS = 1.45mm  
 DOUBLE SIDED PC BOARD MINIMUM THICKNESS = 2.2mm PER QSFP.
- 7 HEAT SINKS, LIGHT PIPES, AND HEAT SINK CLIPS SHIPPED ASSEMBLED TO CAGE ASSEMBLY.
- 8 DATUM A IS TOP SURFACE OF PC BOARD.
- 9 DIMENSION APPLIES WITH MODULE INSERTED IN CAGE.
- 10 UNPLATED THRU HOLE.
- 11 MATES WITH QSFP MSA COMPATIBLE TRANSCEIVER.
- 12 SURFACE TRACES PERMITTED WITHIN THIS AREA EXCEPT WHERE CAGE STANDOFFS, SHOWN IN DETAIL S, CONTACT PC BOARD.
- 13 BASELINE FOR THESE DIMENSIONS IS THE CENTER OF COMPLIANT PIN HOLE.
- 14 2D BARCODE AND DATE CODE (YYWW) MARKED ON SIDE OF CAGE.

- 15 REFERENCE APP SPEC 114-13218 FOR GASKET THICKNESS CALCULATION.
- 16 EMI SPRING FINISH: 2µm MINIMUM TIN  
 FRONT FLANGE FINISH: 3µm MINIMUM TIN OVER 1.27µm MINIMUM NICKEL OVER 5.08µm MINIMUM COPPER.  
 HEAT SINK FINISH: NICKEL OR BLACK ANODIZED
- 17 HEAT SINKS AND CLIPS SHIPPED ASSEMBLED TO CAGE ASSEMBLY.  
 LIGHT PIPES, SHIPPED UNATTACHED, MUST BE ASSEMBLED BY CUSTOMER AFTER THE CASE IS SEATED IN THE PCB.

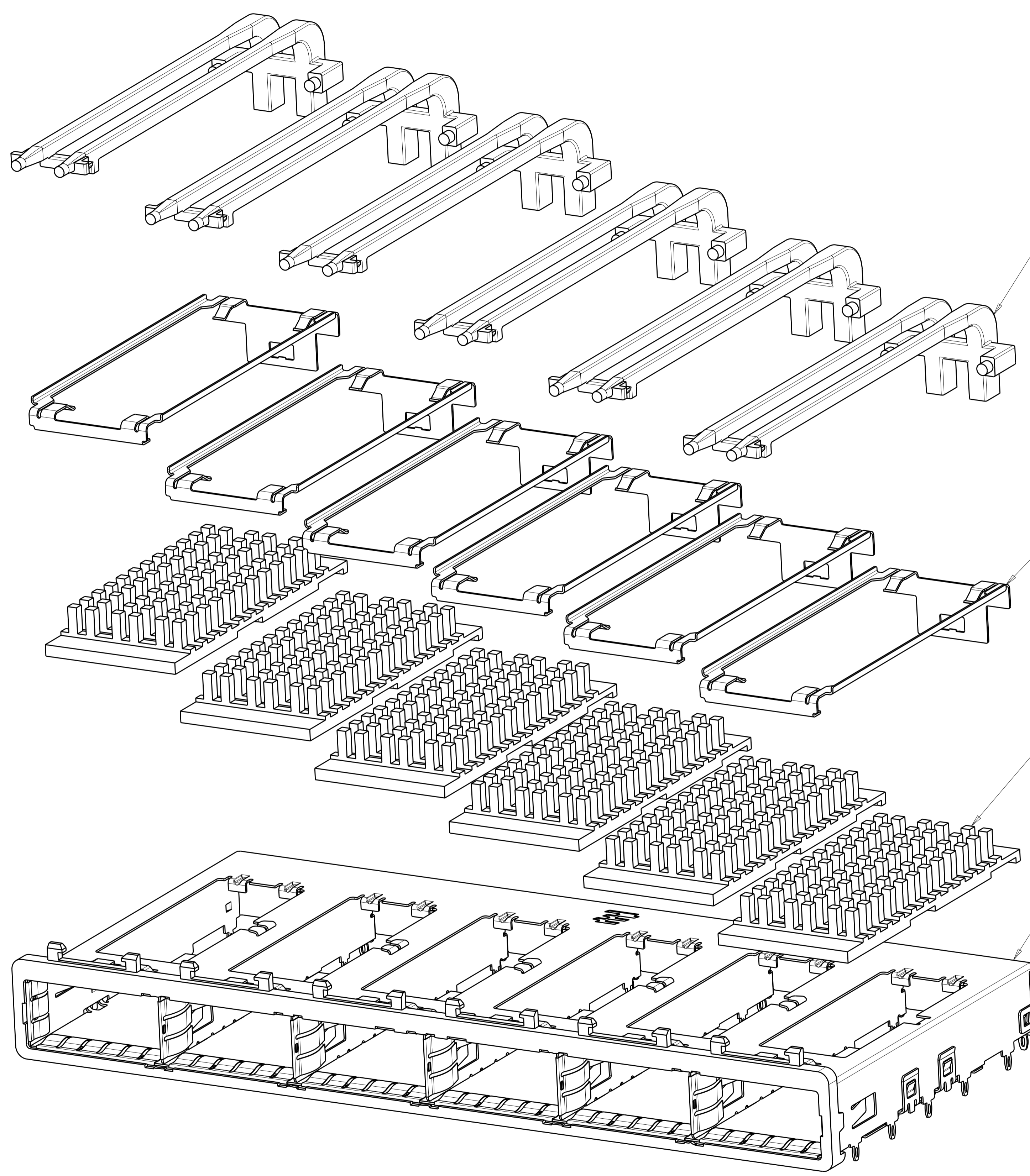


	E	D	C	B	HEAT SINK PROFILE	PART NUMBER
7	0.8-1.1	2.8	1.70	23.0	NETWORKING	2143307-3
7	0.8-1.1	2.8	1.70	16.0	SAN	2143307-2
17	0.8-1.1	2.8	1.70	13.7	PCI	2143307-1

THIS DRAWING IS A CONTROLLED DOCUMENT.		DWN: C. VALENTINE 04MAR2010	
DIMENSIONS:		CHK: J. PETERSON 04MAR2010	
TOLERANCES UNLESS OTHERWISE SPECIFIED:		APVD: J. PETERSON 04MAR2010	
0 PLC ± 1 PLC ±0.1 2 PLC ±0.1 3 PLC ±0.013 4 PLC ±0.001 ANGLES ±		NAME: 1X6 CAGE ASSEMBLY, BEHIND BEZEL, W/ LIGHT PIPES AND HEAT SINKS, QSFP PRODUCT SPEC: 108-2286 APPLICATION SPEC: 114-13218 WEIGHT: - CUSTOMER DRAWING	
MATERIAL: 1	FINISH: 16	SIZE: A1	CAGE CODE: 00779 DRAWING NO: C=2143307 SHEET 1 OF 5 REV A

LOC	DIST	REVISIONS					
GP	00	P.	LYR	DESCRIPTION	DATE	DWN	APVD
		-		SEE SHEET 1		-	-



DOUBLE LIGHT PIPES  $\triangle\triangle\triangle$   
 QUANTITY: 6

HEAT SINK CLIPS  $\triangle\triangle\triangle$   
 QUANTITY: 6

72 PIN HEAT SINKS  $\triangle\triangle\triangle$   
 QUANTITY: 6

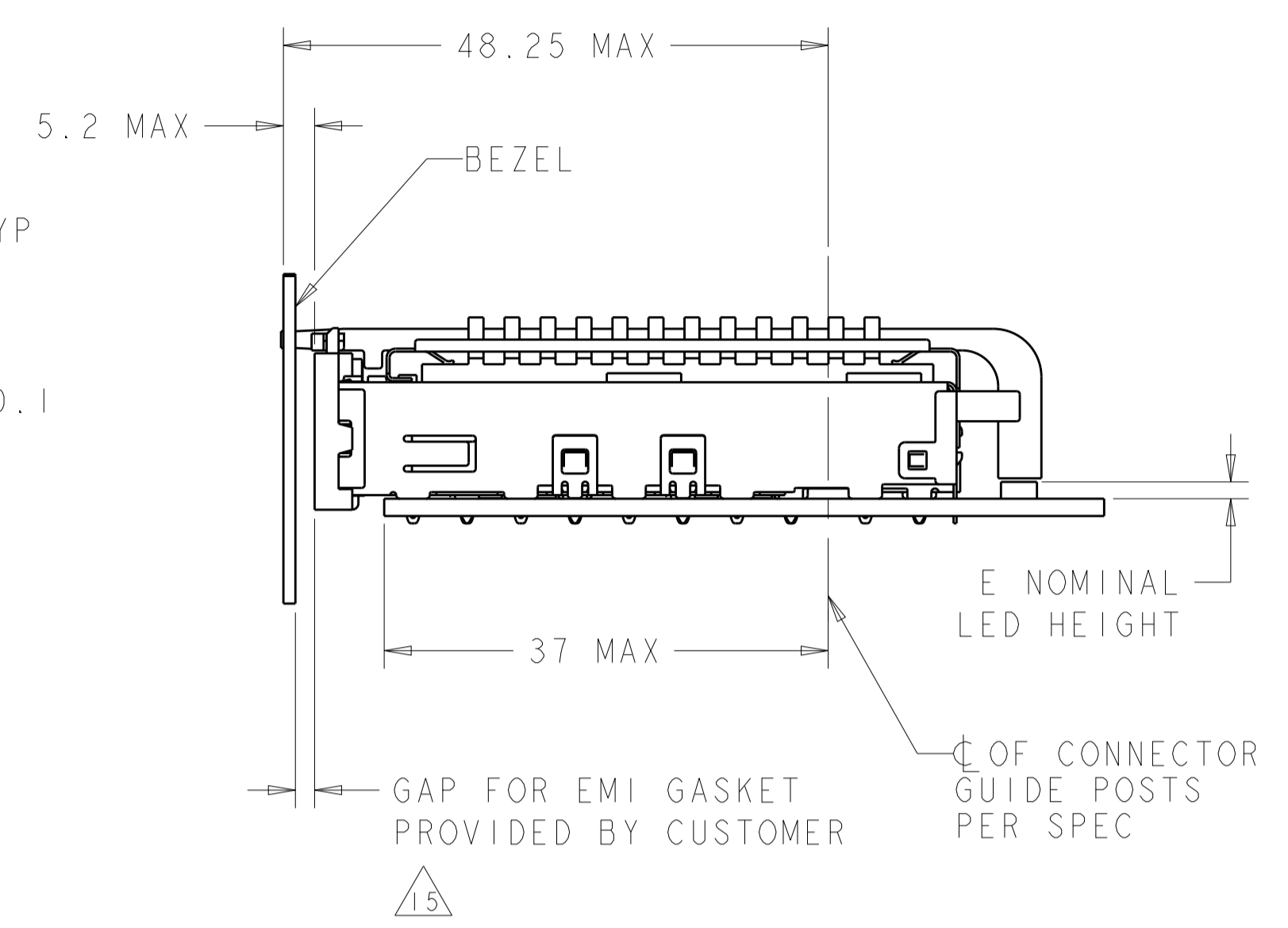
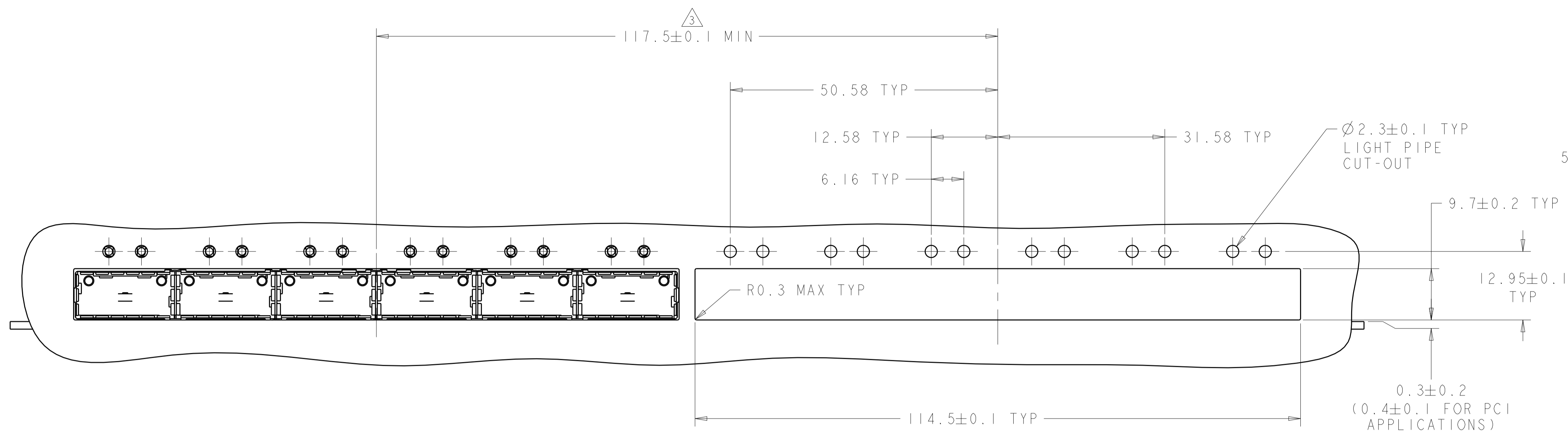
1X6 BEHIND BEZEL QSFP  
 CAGE ASSEMBLY  
 QUANTITY: 1

THIS DRAWING IS A CONTROLLED DOCUMENT.		DWN C. VALENTINE 04MAR2010	TE Connectivity
DIMENSIONS: mm		CHK J. PETERSON 04MAR2010	
		APVD J. PETERSON 04MAR2010	NAME 1X6 CAGE ASSEMBLY, BEHIND BEZEL, W/ LIGHT PIPES AND HEAT SINKS, QSFP
TOLERANCES UNLESS OTHERWISE SPECIFIED:		PRODUCT SPEC 108-2286	RESTRICTED TO
0 PLC ±.1		APPLICATION SPEC 114-13218	SIZE A100779C=2143307
1 PLC ±0.1		WEIGHT	SCALE 3:1 SHEET 2 OF 5 REV A
2 PLC ±0.1		CUSTOMER DRAWING	
3 PLC ±0.013			
4 PLC ±0.0001			
ANGLES ±.1			
FINISH			

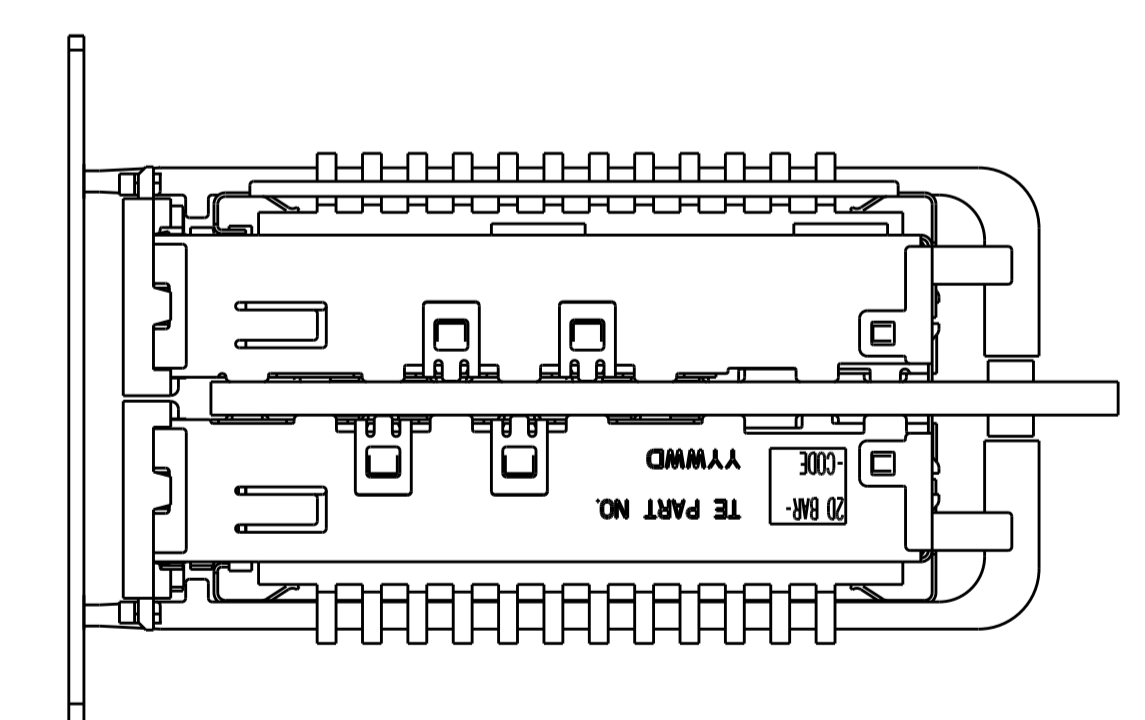
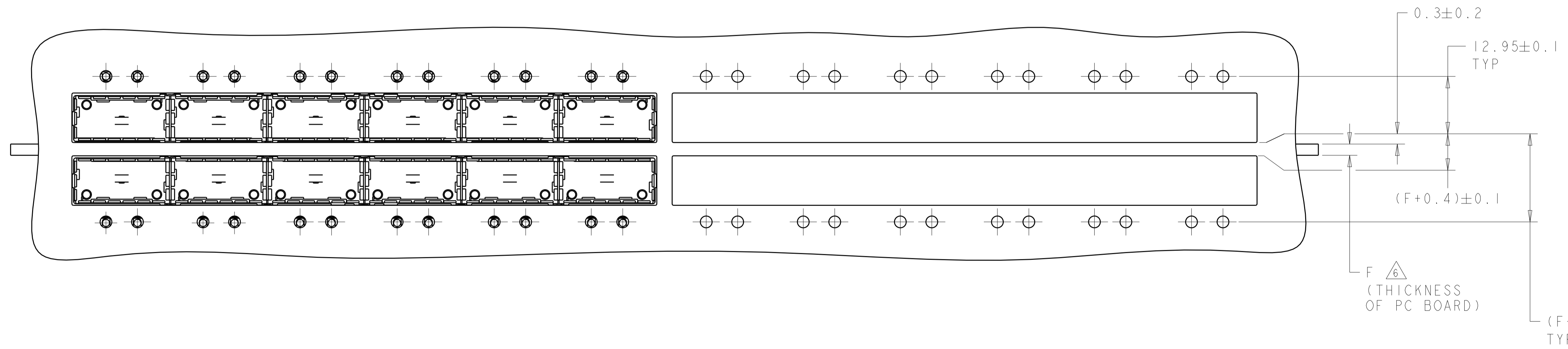
LOC	DIST	REV	DATE	BY	APPD
GP	00				

REVISIONS			
NO.	DESCRIPTION	DATE	BY
-	SEE SHEET 1	-	-



ONE SIDED CONFIGURATION  
SCALE 2:1



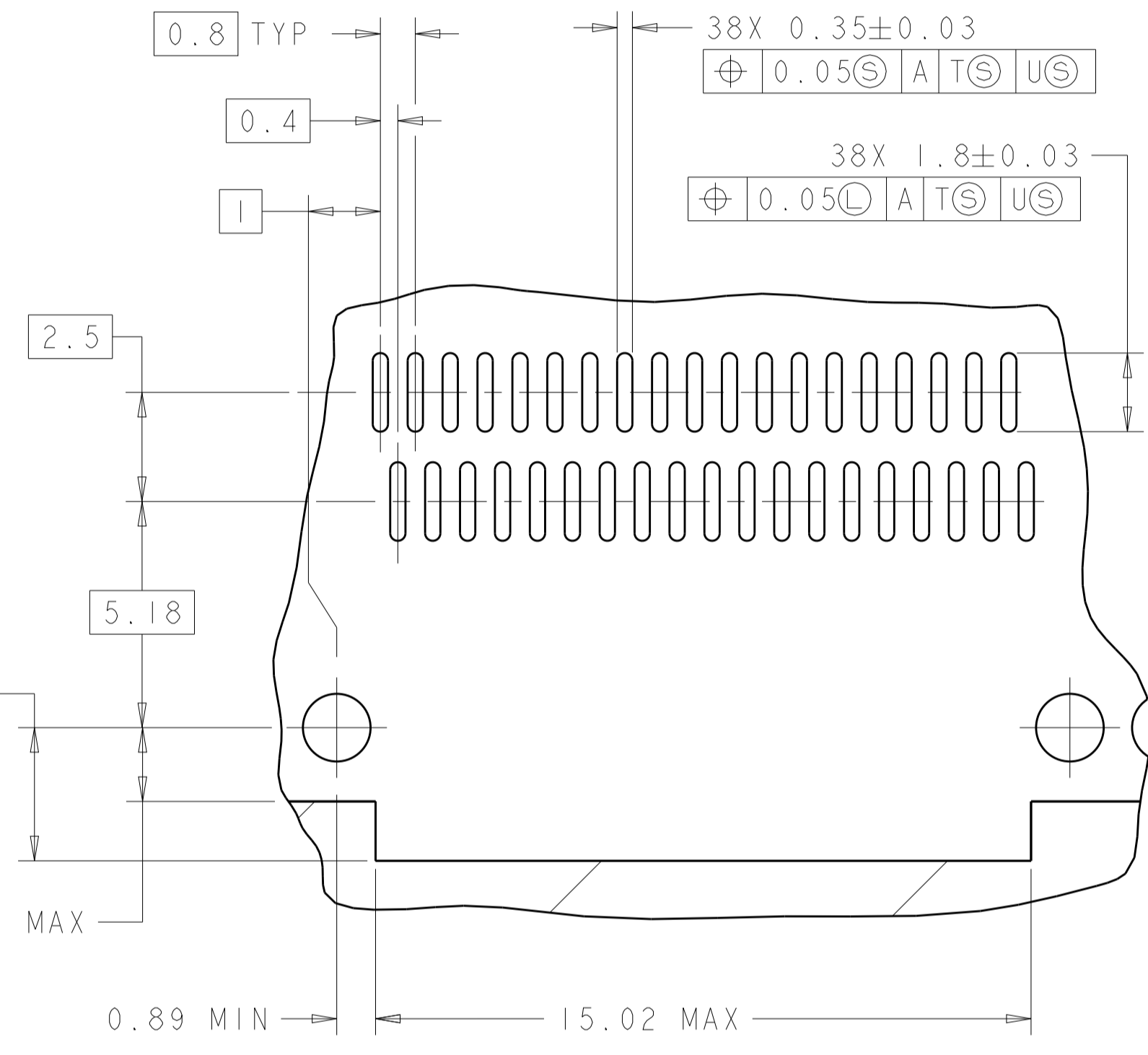
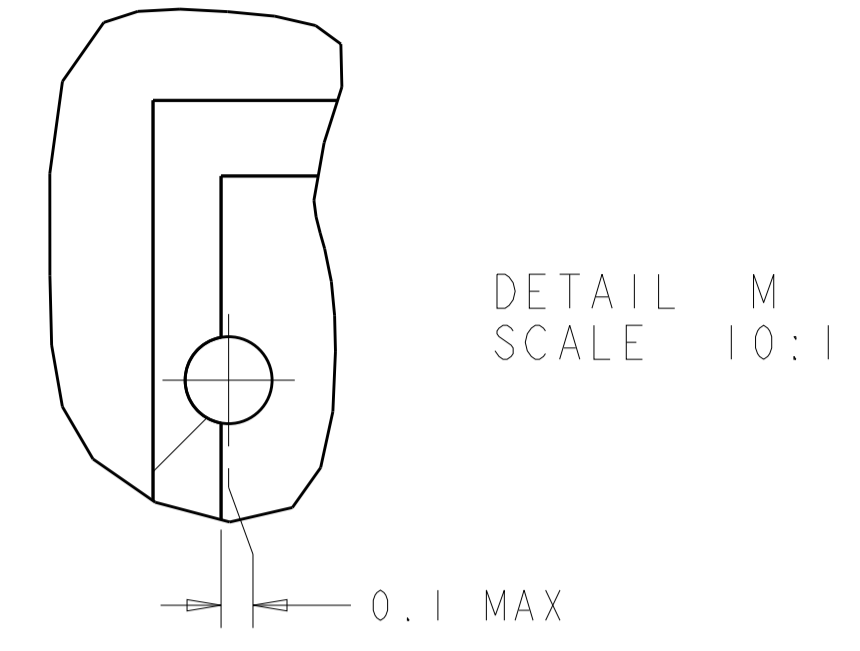
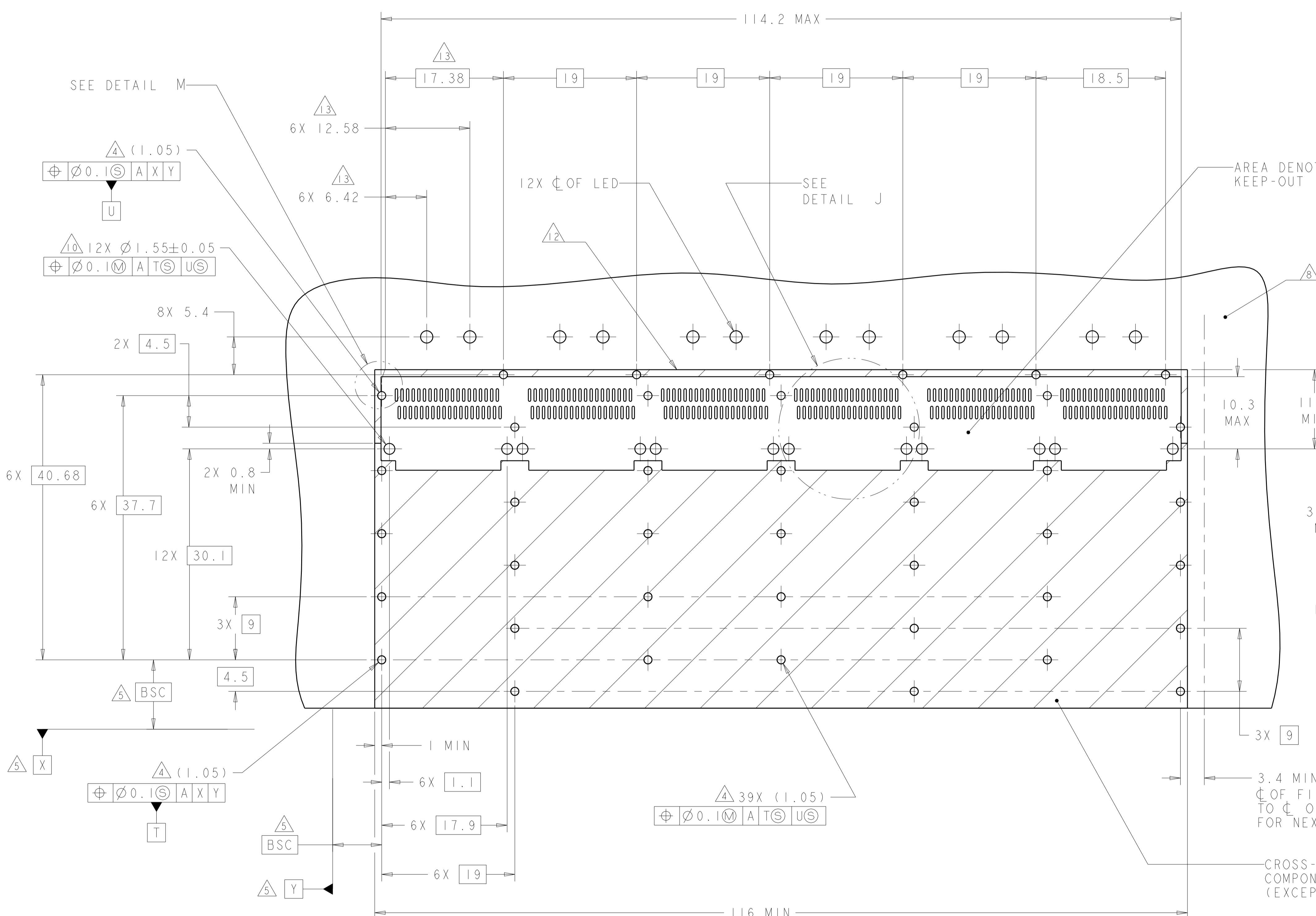
BELLY TO BELLY CONFIGURATION  
SIMILAR TO ONE SIDED  
EXCEPT WHERE NOTED  
SCALE 2:1

THIS DRAWING IS A CONTROLLED DOCUMENT.		OWN: C. VALENTINE 04MAR2010	TE Connectivity
DIMENSIONS: mm		CHK: J. PETERSON 04MAR2010	
TOLERANCES UNLESS OTHERWISE SPECIFIED:		APVD: J. PETERSON 04MAR2010	NAME: 1X6 CAGE ASSEMBLY, BEHIND BEZEL, W/ LIGHT PIPES AND HEAT SINKS, QSFP
0 PLC ±	1 PLC ±0.1	PRODUCT SPEC	SIZE: CAGE CODE DRAWING NO. RESTRICTED TO
2 PLC ±0.1	3 PLC ±0.013	APPLICATION SPEC	A100779C=2143307
4 PLC ±0.0001	ANGLES ±	114-13218	SCALE 3:1 SHEET 3 OF 5 REV A
MATERIAL: -	FINISH: -	WEIGHT: -	CUSTOMER DRAWING

LOC	DIST	REV	DATE	BY	APPV
GP	00				

REVISIONS			
NO.	DESCRIPTION	DATE	BY
-	SEE SHEET 1	-	-



RECOMMENDED PC BOARD LAYOUT  
 SINGLE SIDE MOUNT CONFIGURATION  
 SCALE 3:1

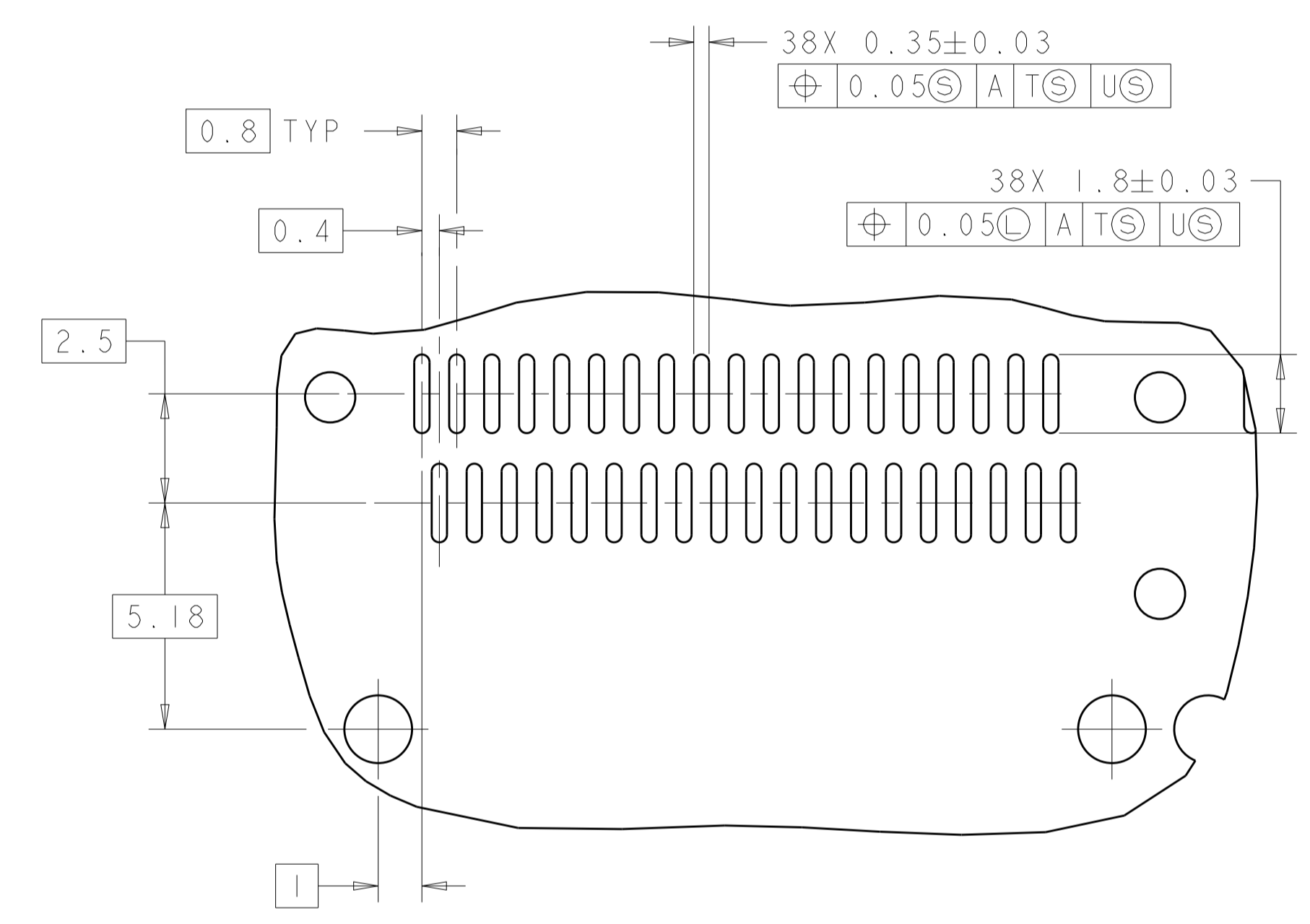
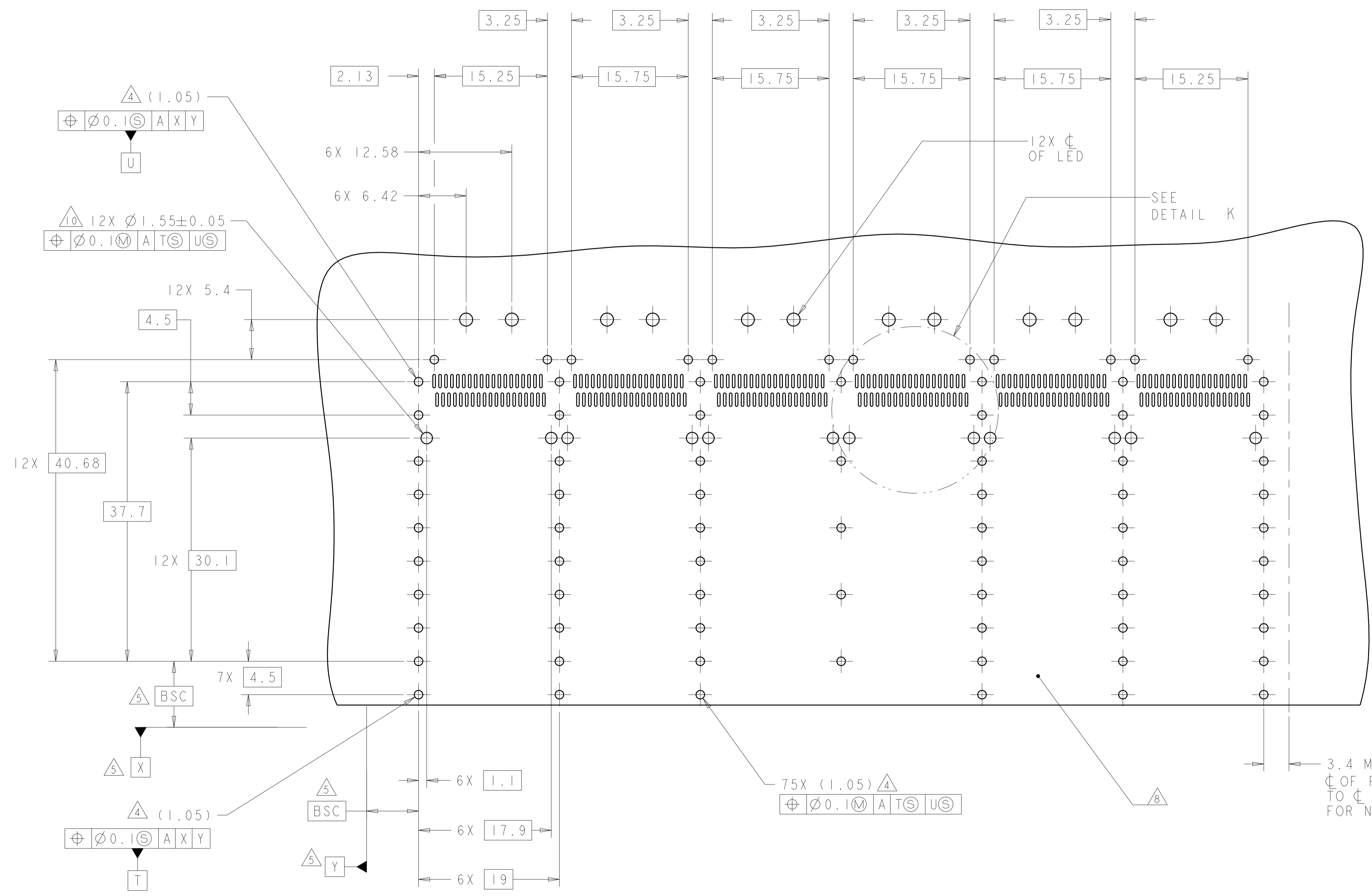
CROSS-HATCHED AREA DENOTES  
 COMPONENT AND TRACE KEEP-OUT  
 (EXCEPT CHASSIS GROUND)

THIS DRAWING IS A CONTROLLED DOCUMENT.		DWN C. VALENTINE 04MAR2010	 TE Connectivity
DIMENSIONS:		CHK J. PETERSON 04MAR2010	
mm	TOLERANCES UNLESS OTHERWISE SPECIFIED:	APVD J. PETERSON 04MAR2010	NAME 1X6 CAGE ASSEMBLY, BEHIND BEZEL, W/ LIGHT PIPES AND HEAT SINKS, QSFP
 0 PLC ±0.1 2 PLC ±0.1 3 PLC ±0.013 4 PLC ±0.0001 ANGLES ±0.0001	MATERIAL	PRODUCT SPEC 108-2286	SIZE A100779C=2143307
	FINISH	APPLICATION SPEC 114-13218	RESTRICTED TO
		WEIGHT	SCALE 3:1 SHEET 4 OF 5 REV A
		CUSTOMER DRAWING	

LOC	DIST	REV	DATE	BY	APPD
GP	00				

REVISIONS					
REV	DATE	DESCRIPTION	BY	APPD	REV
-	-	SEE SHEET 1	-	-	-



DETAIL K  
 6 PLACES  
 SCALE 8:1

RECOMMENDED PC BOARD LAYOUT  
 BELLY TO BELLY CONFIGURATION  
 SEE SHEET 4 FOR COMPONENT AND TRACE KEEP-OUTS  
 SCALE 3:1

THIS DRAWING IS A CONTROLLED DOCUMENT.		OWN C. VALENTINE 04MAR2010	TE Connectivity
DIMENSIONS: mm		CHK J. PETERSON 04MAR2010	
TOLERANCES UNLESS OTHERWISE SPECIFIED:		APVD J. PETERSON 04MAR2010	NAME 1X6 CAGE ASSEMBLY, BEHIND BEZEL, W/ LIGHT PIPES AND HEAT SINKS, QSFP
0 PLC ±.1 1 PLC ±0.1 2 PLC ±0.1 3 PLC ±0.013 4 PLC ±0.0001 ANGLES ±.1		PRODUCT SPEC 108-2286	
MATERIAL	FINISH	APPLICATION SPEC 114-13218	RESTRICTED TO
CUSTOMER DRAWING		WEIGHT	SCALE 3:1 SHEET 5 OF 5 REV A

# Mouser Electronics

Authorized Distributor

Click to View Pricing, Inventory, Delivery & Lifecycle Information:

[TE Connectivity:](#)

[2143307-1](#)