

4

3

2

1

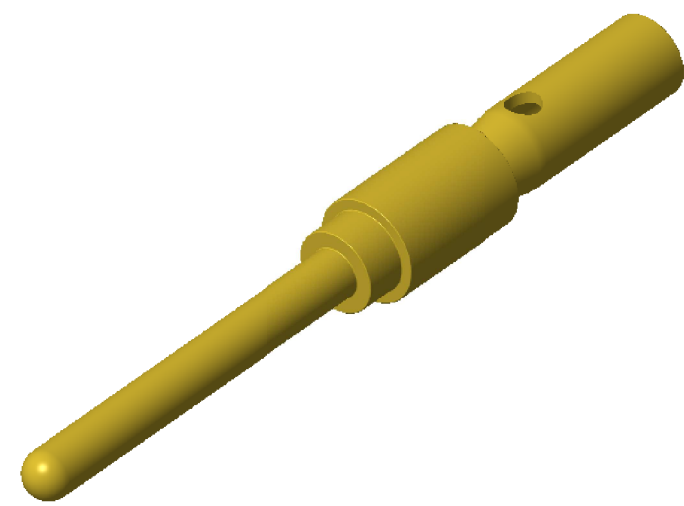
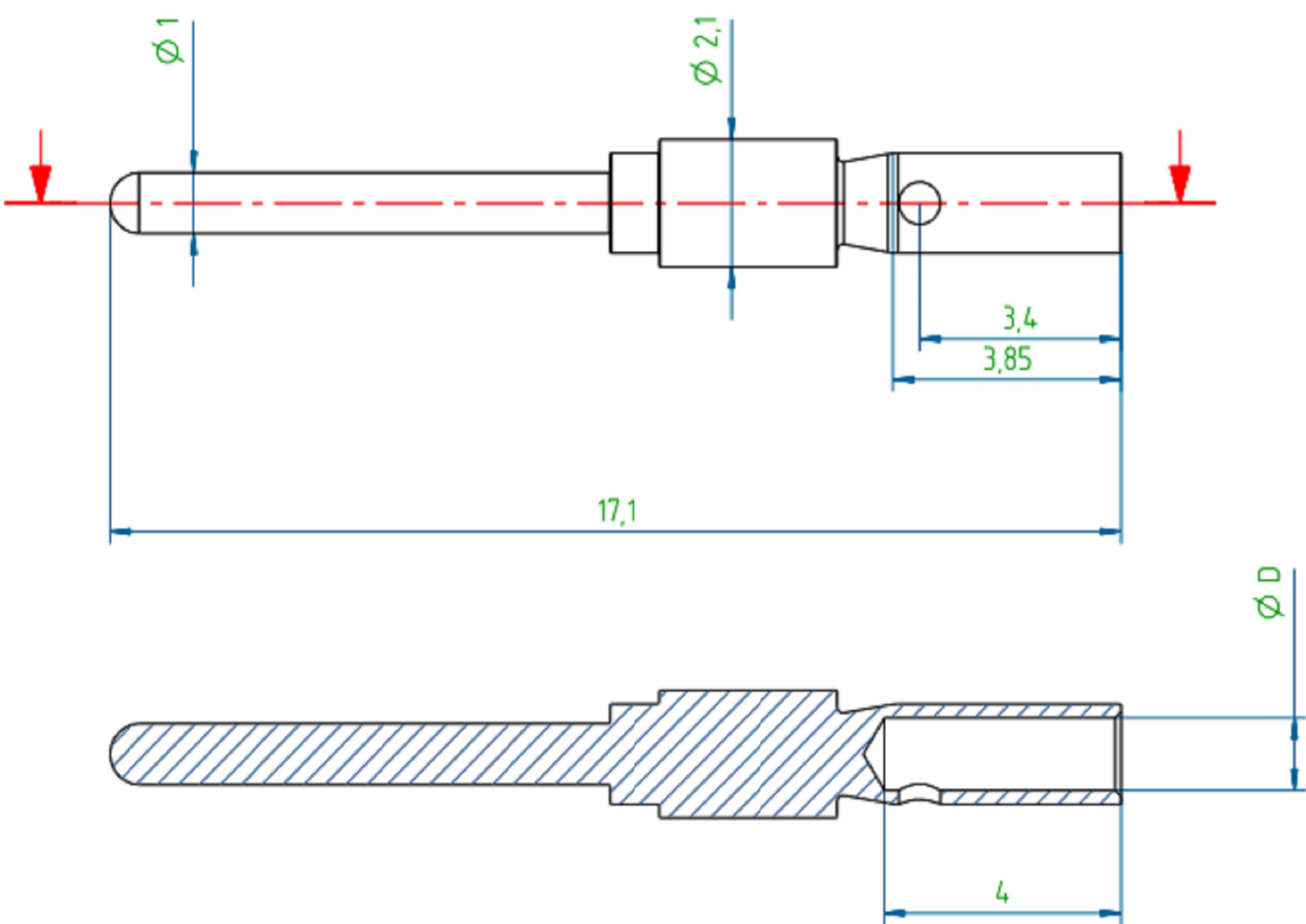
THIS DRAWING IS UNPUBLISHED. RELEASED FOR PUBLICATION

© COPYRIGHT - By - ALL RIGHTS RESERVED.

REVISIONS

P	LTR	DESCRIPTION	DATE	DWN	APVD
	A1	REVISED PER ECR-16-014891	09JAN2017	KK	SE

PROJECT	PRJ-14-000004825
PART NO.	X-2314102-X
DESCRIPTION	M12 CRIMP CONTACT PIN 1mm Au 0.8μAWG20/AWG22
CUSTOMER	GENERAL MARKET



ISO VIEW

SL. NO	PART NO.	PART NAME	$\varnothing D$	MATERIAL	SURFACE TREATMENT	REMARKS
2	1-2314102-2	M12 CRIMP CONTACT PIN 1mm AWG22 Au 0.8μ	0.9	BRASS	1.5-2.5μm Ni/0.8μm Au	-
1	1-2314102-1	M12 CRIMP CONTACT PIN 1mm AWG20 Au 0.8μ	1.1			-

NOTES:  
 1. APPLICATION TOOLING TO BE USED  
 601967-1 (STANDARD) OR  
 601966-1 (COMPACT).

THIS DRAWING IS A CONTROLLED DOCUMENT.

DIMENSIONS: mm	TOLERANCES UNLESS OTHERWISE SPECIFIED: DIN ISO 2768 m	DWN KIRAN K 06DEC2016	<p>TE Connectivity</p>
	0 PLC ± - 1 PLC ± - 2 PLC ± - 3 PLC ± - 4 PLC ± - ANGLES ± -	CHK KIRAN K 06DEC2016	
MATERIAL	FINISH	APVD S EGBERT 06DEC2016	
		NAME M12 CRIMP CONTACT PIN 1mm Au 0.8 MICRON AWG20/AWG22	
		PRODUCT SPEC 108-156001	SIZE A3
		APPLICATION SPEC 114-156002	CAGE CODE 00779
		WEIGHT	DRAWING NO C=2314102
		CUSTOMER DRAWING	RESTRICTED TO -
			SCALE NTS
			SHEET 1 OF 1
			REV A1