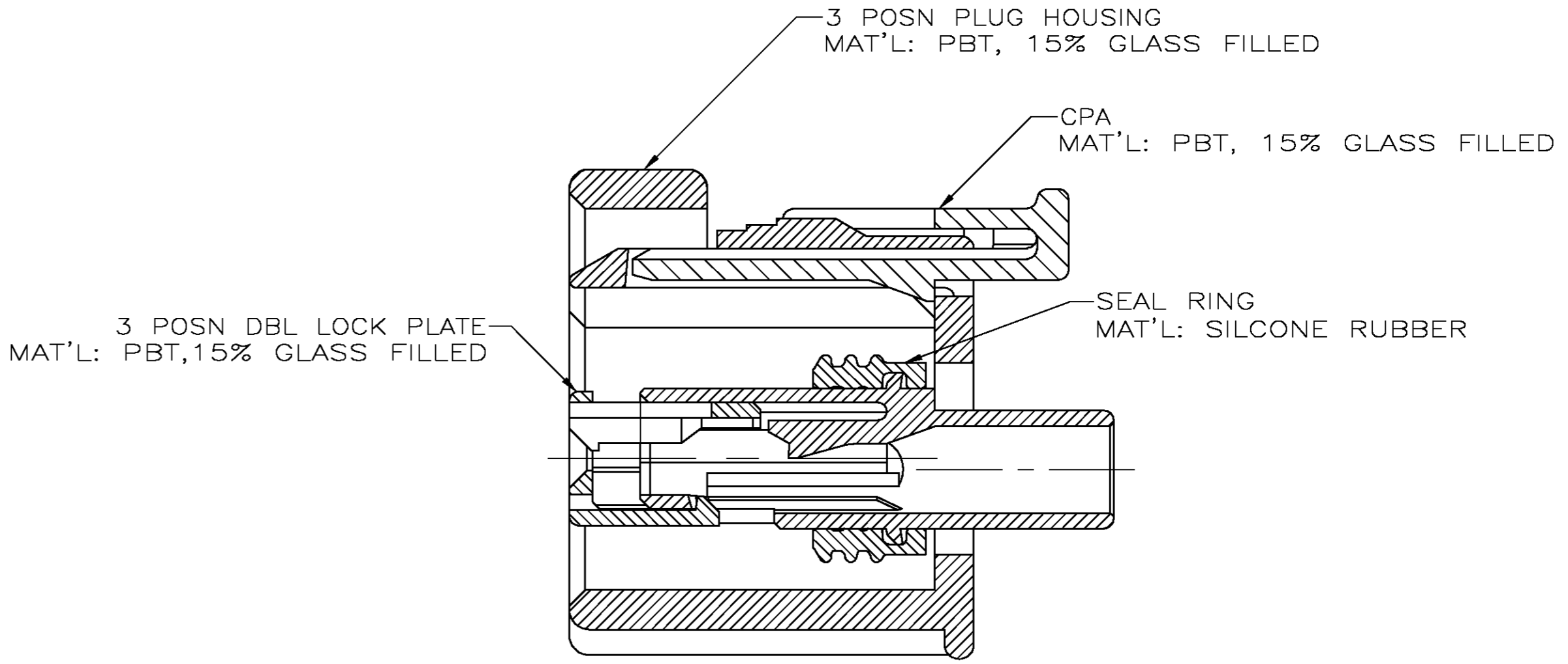
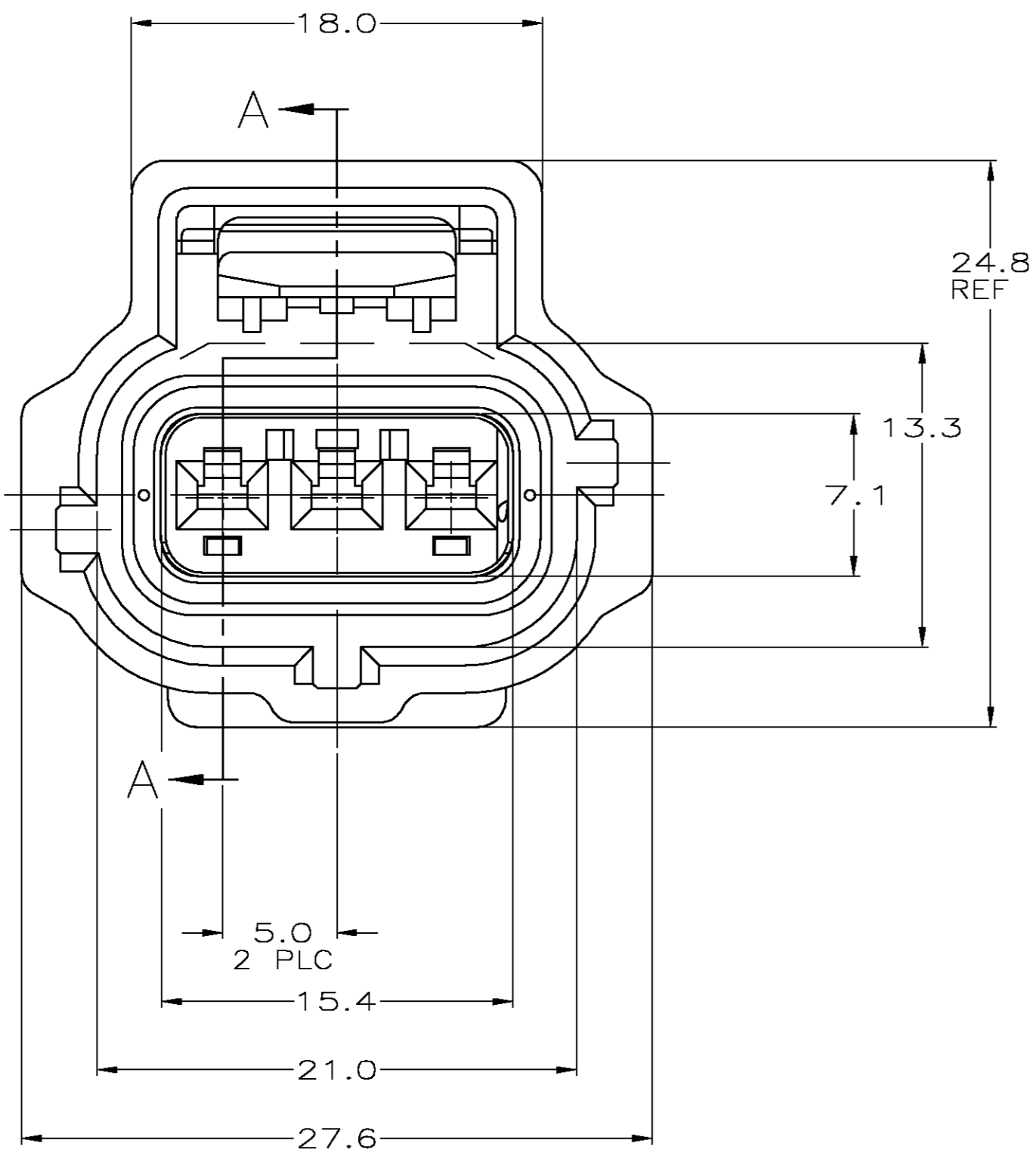
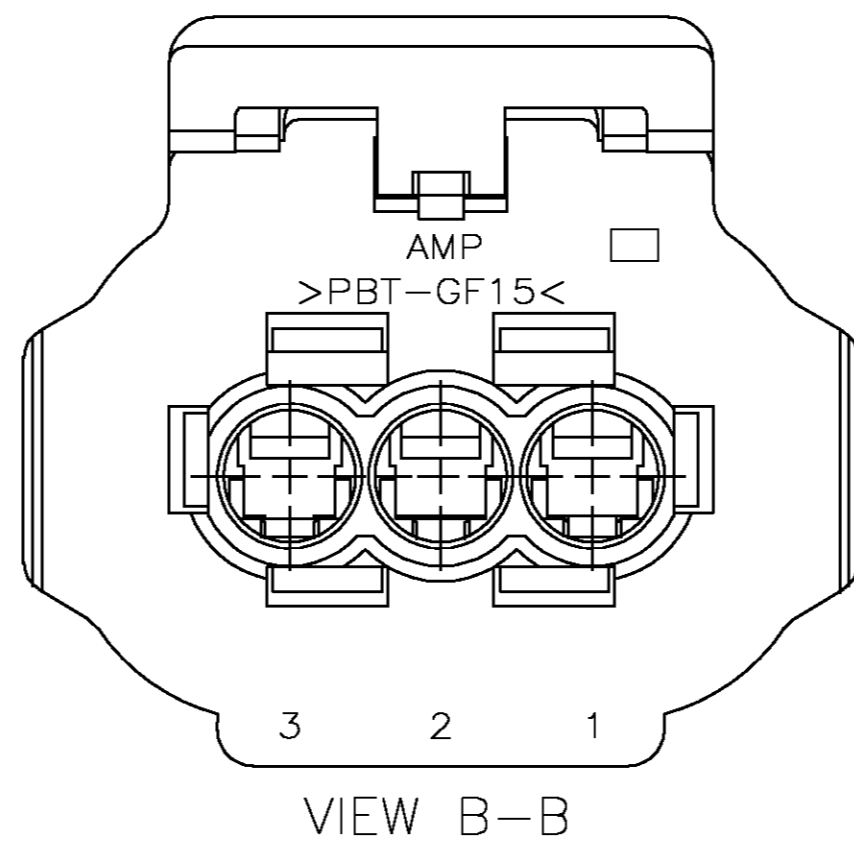
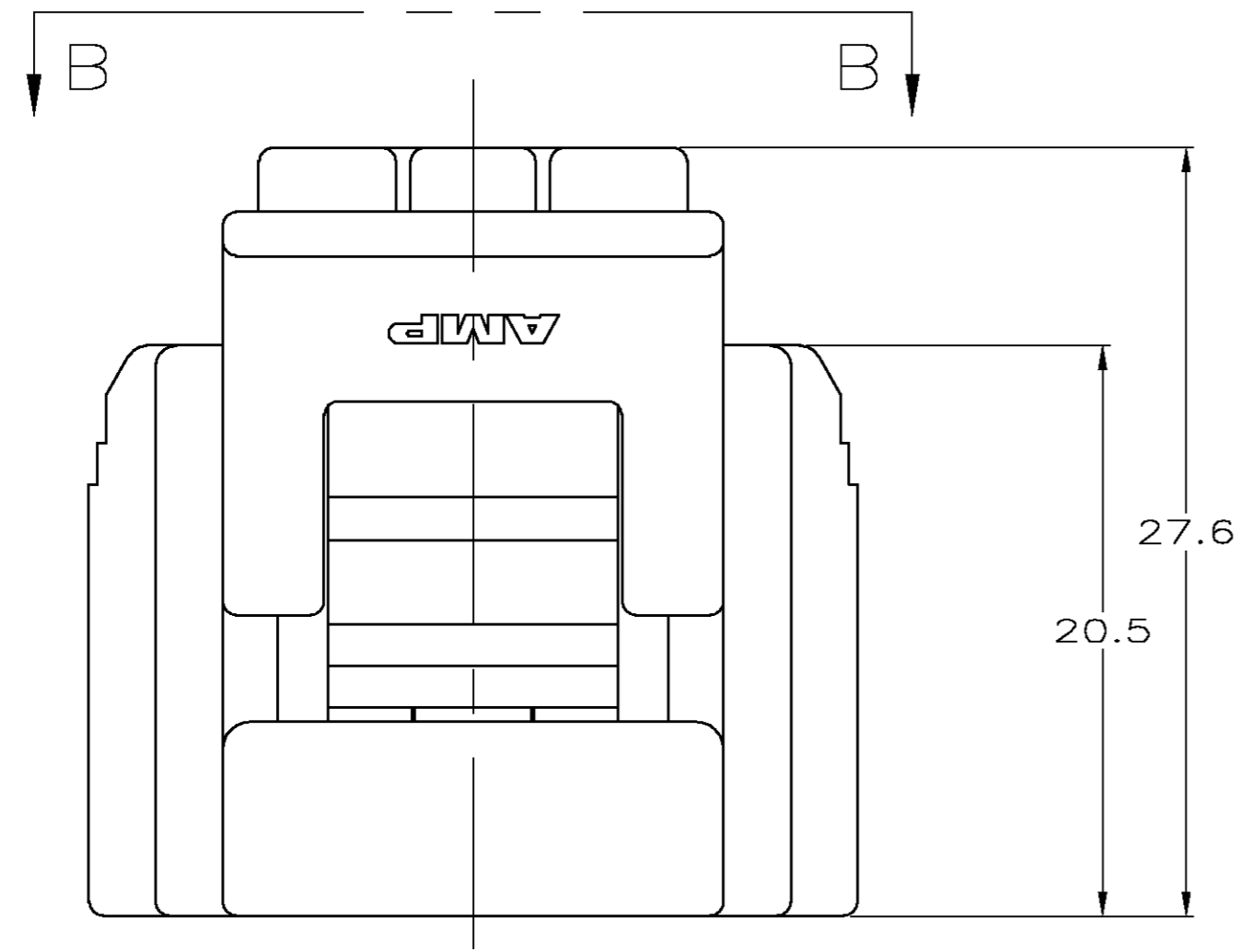


THIS DRAWING IS UNPUBLISHED. RELEASED FOR PUBLICATION
 © COPYRIGHT BY TYCO ELECTRONICS CORPORATION. ALL RIGHTS RESERVED.

LOC	DIST	REVISIONS			
P	LTR	DESCRIPTION	DATE	DWN	APVD
GE	16	C	REVISED PER EC 0K40-0387-04	19NOV2004	DLD KLK



184273-1
 PART NUMBER

THIS DRAWING IS A CONTROLLED DOCUMENT.		DWN K. WISE	05/24/96	tyco Electronics	Tyco Electronics Corporation	
DIMENSIONS: mm		CHK C. HYRB	05/30/96		Harrisburg, Pa 17105-3608	
TOLERANCES UNLESS OTHERWISE SPECIFIED:		APVD C. HYRB	05/30/96	NAME		
0 PLC ± -		PRODUCT SPEC		1 X 3 PLUG ASSEMBLY KEY D-C3 WITH CPA		
1 PLC ± -		APPLICATION SPEC		SIZE	CAGE CODE	DRAWING NO
2 PLC ± 0.3		WEIGHT		A2	00779	C=184273
3 PLC ± -		CUSTOMER DRAWING		SCALE	SHEET	OF
4 PLC ± -		FINISH		4:1	1	1
ANGLES ± 1°		MATERIAL		REV C		

Mouser Electronics

Authorized Distributor

Click to View Pricing, Inventory, Delivery & Lifecycle Information:

[TE Connectivity:](#)

[184273-1](#)