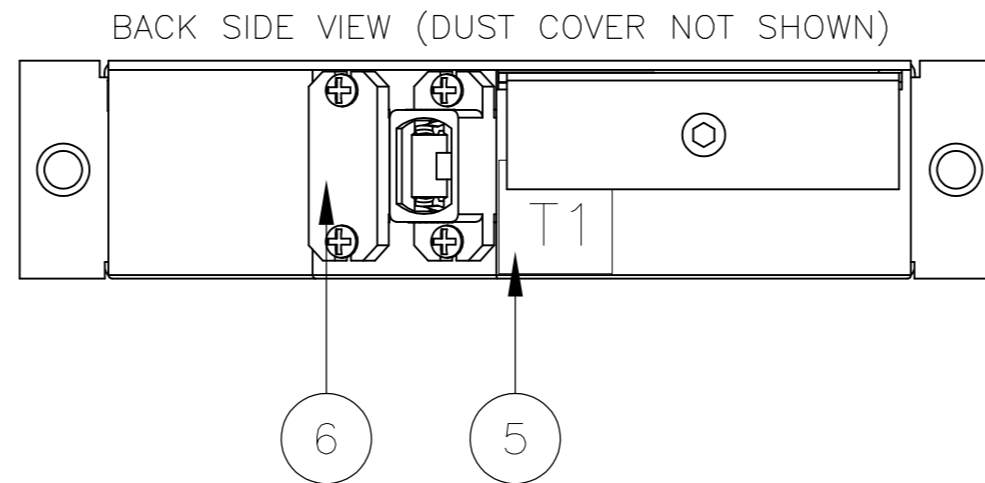
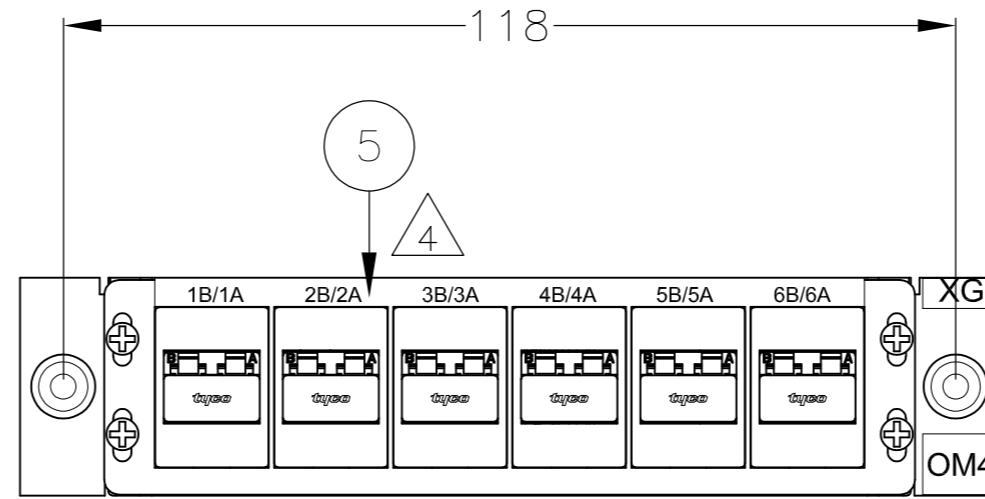
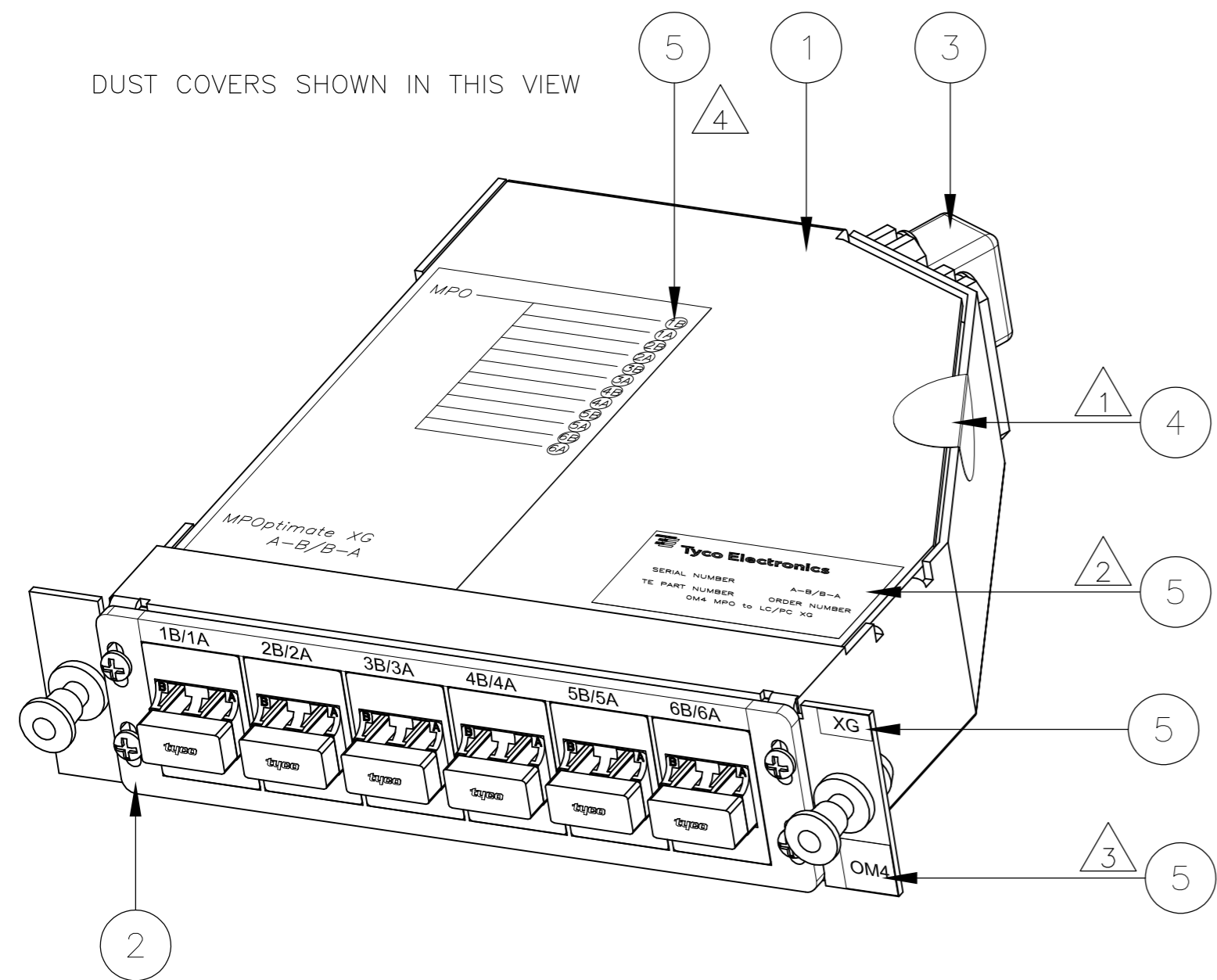


THIS DRAWING IS UNPUBLISHED. RELEASED FOR PUBLICATION
 © COPYRIGHT - By - ALL RIGHTS RESERVED.

LOC		DIST		REVISIONS			
P	LTR	DESCRIPTION		DATE	DWN	APVD	
HP	00	A	ECO-11-024605	03JAN11	JS	JS	



LC/PC PORT		MPO
INSIDE	OUTSIDE	
1A	1B	1
1B	1A	2
2A	2B	3
2B	2A	4
3A	3B	5
3B	3A	6
4A	4B	7
4B	4A	8
5A	5B	9
5B	5A	10
6A	6B	11
6B	6A	12

OPTICAL PERFORMANCE FOR CASSETTES

- PERFORMANCE EXCEEDS REQUIREMENTS I.S. 11801, TIA/SIA 568.B3
- XG VARIANT RECOMMENDED FOR HIGH CONNECTIVITY APPLICATIONS

FOR OM4 XG: ATTENUATION ≤ 0,35dB*, MEASURED BETWEEN REFERENCE CONNECTORS AT 850nm ACCORDING I.E.C. 61300-3-4 (MM50)

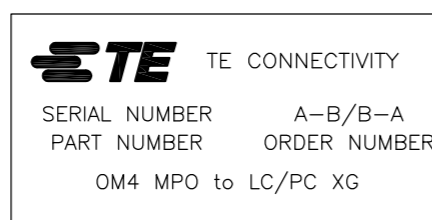
RETURN LOSS > 27dB, MEASURED BETWEEN REFERENCE CONNECTORS AT 850nm ACCORDING I.E.C. 61300-3-6

NOTES: * EACH CASSETTE CONTAINS 2 CONNECTIONS PER FIBER CHANNEL

1 WARRANTY VOID IF SEAL IS BROKEN

2 LABEL INFORMATION: EXAMPLE:

- TE LOGO
- SERIAL NUMBER
- TE PART NUMBER
- "A-B/B-A"
- ORDER NUMBER
- CONNECTOR TYPE



3 INFORMATION LABEL FOR FIBER TYPE (SEE TABLE)

4 INFORMATION LABEL FOR FIBER PATH

5 TEST RESULT SHEET SUPPLIED WITH EACH INDIVIDUALLY PACKED ASSEMBLY

A-B / B-A VERSION	FIBER 3	
PART NUMBER	TYPE	ON LABEL
2193091-1	MM50XG	"OM4"

Qty	Description	Item
1	BLANK COVER	6
6	INFORMATION LABEL	5
1	FOAC WARRANTY LABEL	4
1	MPO ADAPTER WITH DUST CAP	3
1	ADAPTER PLATE WITH 6 LC DUPLEX ADAPTERS	2
1	FOAC CONNECTOR MODULE WITH COVER, BLACK	1

THIS DRAWING IS A CONTROLLED DOCUMENT.		DWN J. SHIPE 30NOV2011	TE Connectivity	
DIMENSIONS: mm		CHK J. SHIPE 30NOV2011		
TOLERANCES UNLESS OTHERWISE SPECIFIED:		APVD J. SHIPE 30NOV2011	NAME CASSETTE, 12 FIBER, 50/125 OM4, MPOptimate TO LC/PC	
0 PLC ± -	1 PLC ± -	PRODUCT SPEC	SIZE A2	CAGE CODE 00779
2 PLC ± -	3 PLC ± -	APPLICATION SPEC	DRAWING NO C=2193091	RESTRICTED TO -
4 PLC ± -	ANGLES ± -		SCALE NTS	SHEET 1 of 1
MATERIAL -	FINISH -	WEIGHT -	CUSTOMER DRAWING	REV A