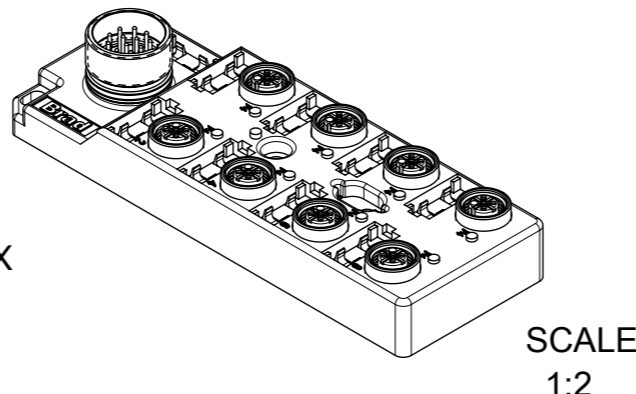
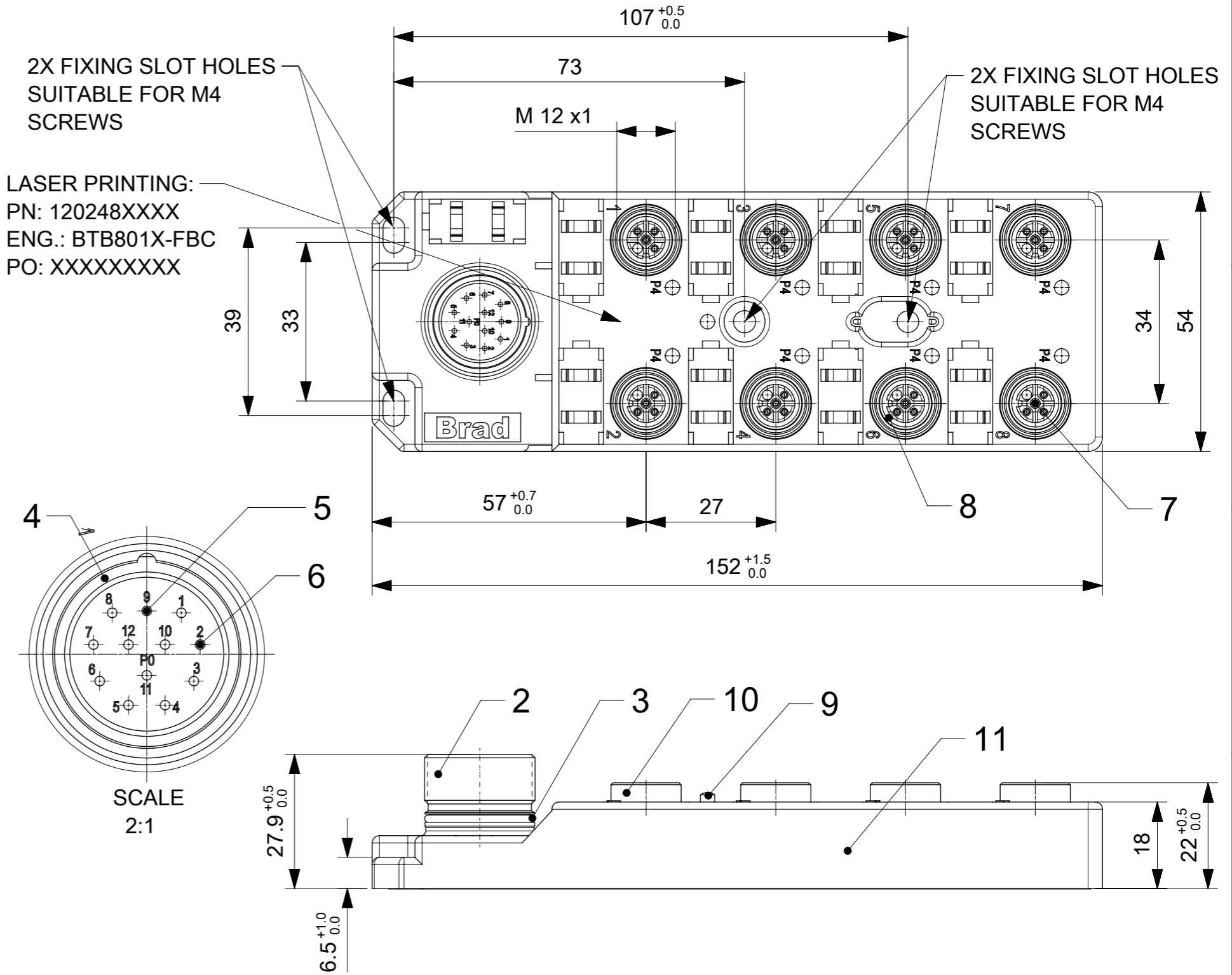
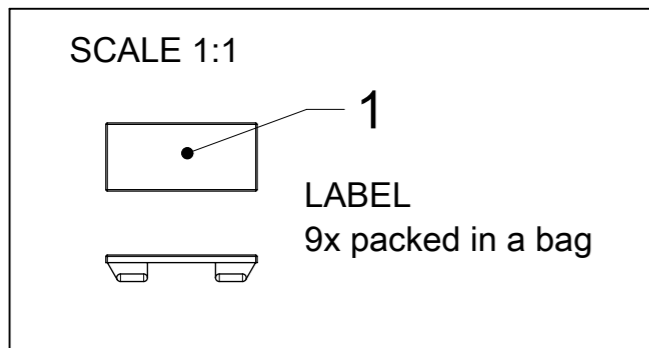


TABLE 1

MOLEX P/N	ENG. NO.	LED
1202480059	BTB8010-FBC	NO
1202480060	BTB801P-FBC	YES
1202480130	BTB801N-FBC	YES

TABLE 2 BILL OF MATERIAL

ITEM	DESCRIPTION	MATERIAL	FINISH
1	LABEL	ABS	WHITE
2	SHELL	BRASS	NICKEL PLATED
3	O-RING	NBR	BLACK
4	O-RING	NBR	BLACK
5	CONTACT	BRASS	GOLD OVER NICKEL
6	CONTACT	BRASS	GOLD OVER NICKEL
7	CONTACT	BRONZE	GOLD OVER NICKEL
8	O-RING	FPM	RED
9	LED	NO LED = PA	BLACK
		WITH LED = PA	TRANSPARENT
10	SHELL	BRASS	NICKEL PLATED
11	HOUSING	PBT	BLACK
12	BLANKING PLUG	PA66	BLACK



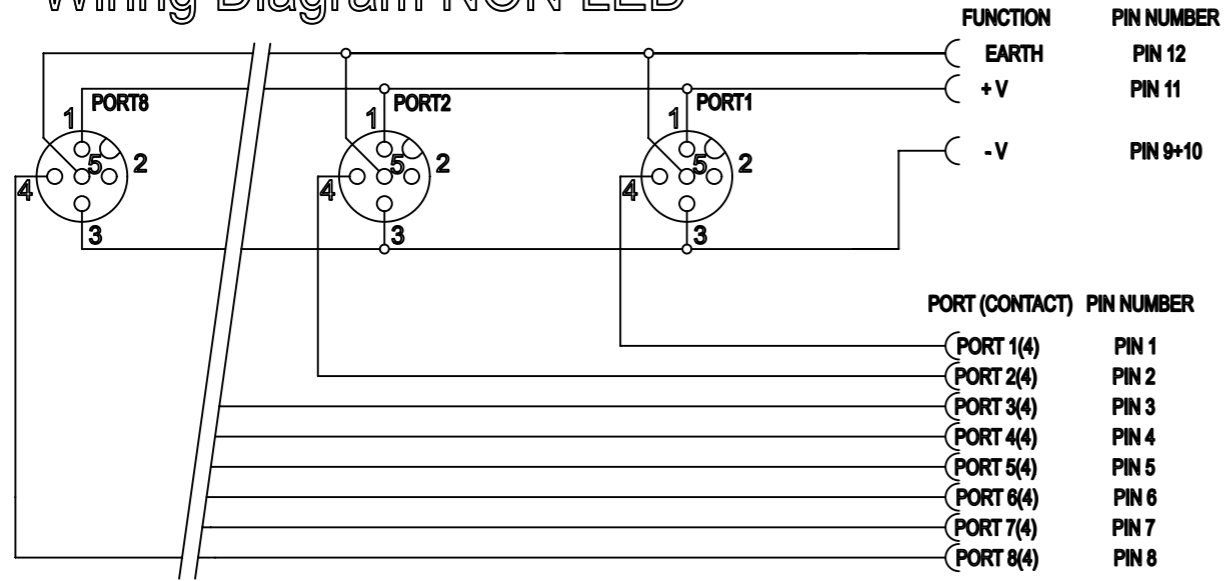
GENERAL CHARACTERISTICS:

ELECTRICAL AND MECHANICAL DATA ACC. TO IEC 61076-2-101

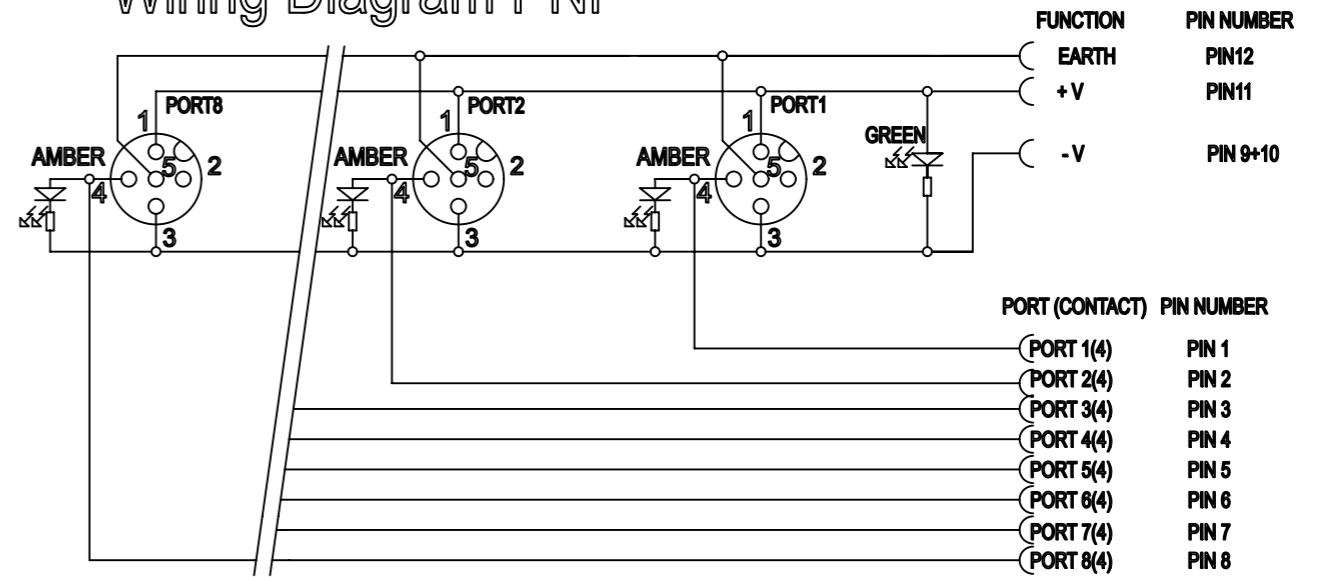
NOMINAL VOLTAGE: 10-30 V DC
 AMPERE RATING: 4 A PER PORT / 12 A MAX
 AMPERE RATING WITH UL REGISTRATION: 3 A PER PORT / 9 A MAX
 IP DEGREE OF PROTECTION: IP 67
 TEMPERATURE RANGE: -25°C to + 85°C

SYMBOLS		THIS DRAWING CONTAINS INFORMATION THAT IS PROPRIETARY TO MOLEX ELECTRONIC TECHNOLOGIES, LLC AND SHOULD NOT BE USED WITHOUT WRITTEN PERMISSION	
DIMENSION UNITS	SCALE	CURRENT REV DESC:	ADDED
mm		LASER PRINTING	
GENERAL TOLERANCES (UNLESS SPECIFIED)		EC NO: 172073	
ANGULAR TOL	± °	DRWN: BBRAUCH	2018/01/31
4 PLACES	±	CHK'D: ULETTENMEIER	2018/02/08
3 PLACES	±	APPR: RSILLER	2018/02/09
2 PLACES	±	INITIAL REVISION:	
1 PLACE	±	DRWN: AAHLERS	2015/04/02
0 PLACES	± 0.25	APPR: JALEXANDER	2015/05/20
DRAFT WHERE APPLICABLE MUST REMAIN WITHIN DIMENSIONS		THIRD ANGLE PROJECTION	DRAWING
		A3-SIZE	SERIES
		120248	MATERIAL NUMBER
		SEE TABLE 1	CUSTOMER
		GENERAL MARKET	SHEET NUMBER
		1 OF 2	

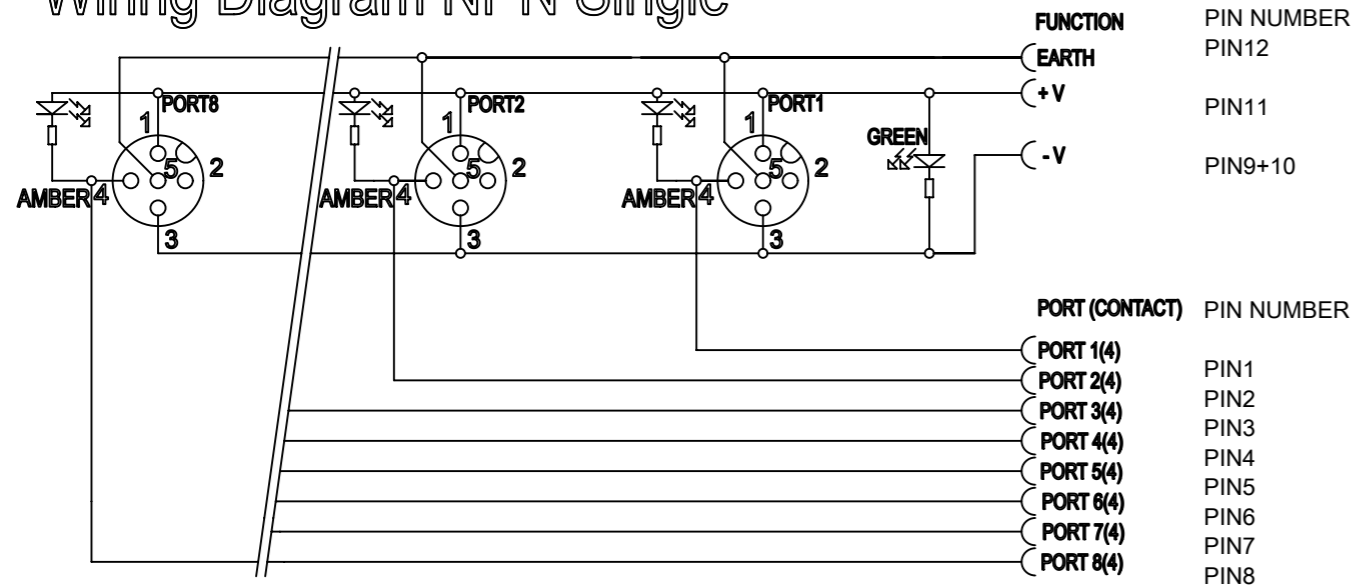
Wiring Diagram NON LED



Wiring Diagram PNP



Wiring Diagram NPN Single



SYMBOLS		THIS DRAWING CONTAINS INFORMATION THAT IS PROPRIETARY TO MOLEX ELECTRONIC TECHNOLOGIES, LLC AND SHOULD NOT BE USED WITHOUT WRITTEN PERMISSION	
▽ = 0	DIMENSION UNITS	SCALE	CURRENT REV DESC: LASER PRINTING ADDED
▽ = 0	mm		
▽ = 0	GENERAL TOLERANCES (UNLESS SPECIFIED)		
▽ = 0	ANGULAR TOL	± °	
▽ = 0	4 PLACES	±	EC NO: 172073
▽ = 0	3 PLACES	±	DRWN: BBRAUCH 2018/01/31
▽ = 0	2 PLACES	±	CHK'D: ULETTENMEIER 2018/02/08
▽ = 0	1 PLACE	±	APPR: RSILLER 2018/02/09
▽ = 0	0 PLACES	± 0.25	INITIAL REVISION:
▣ = 0	DRAFT WHERE APPLICABLE MUST REMAIN WITHIN DIMENSIONS		DRWN: AAHLERS 2015/04/02
▽ = 0			APPR: JALEXANDER 2015/05/20
	THIRD ANGLE PROJECTION	DRAWING	SERIES
		A3-SIZE	120248
		MATERIAL NUMBER	CUSTOMER
		SEE TABLE 1	GENERAL MARKET
		DOCUMENT NUMBER	DOC TYPE DOC PART REVISION
		1202480059	PSD 000 A3
			SHEET NUMBER
			2 OF 2