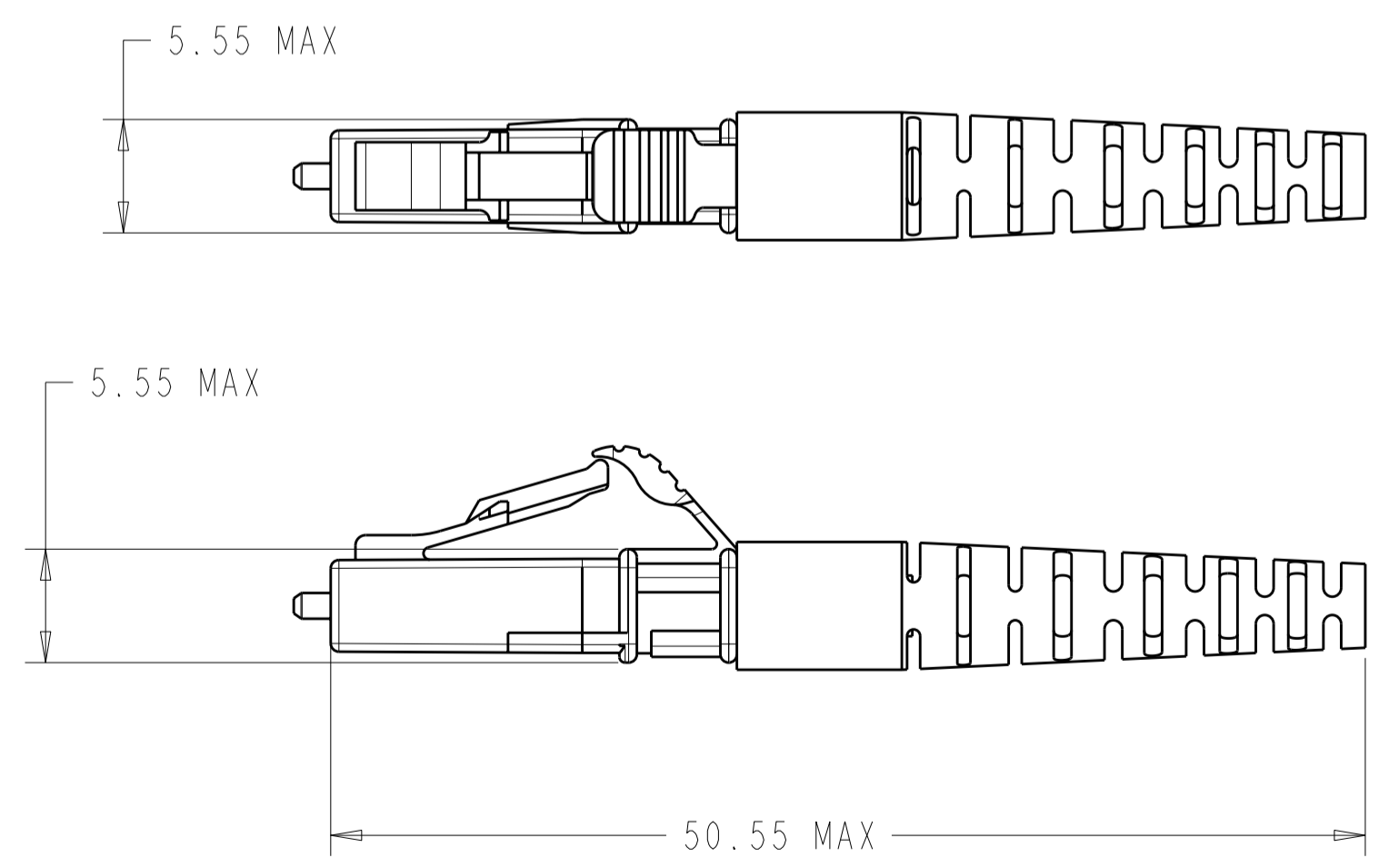
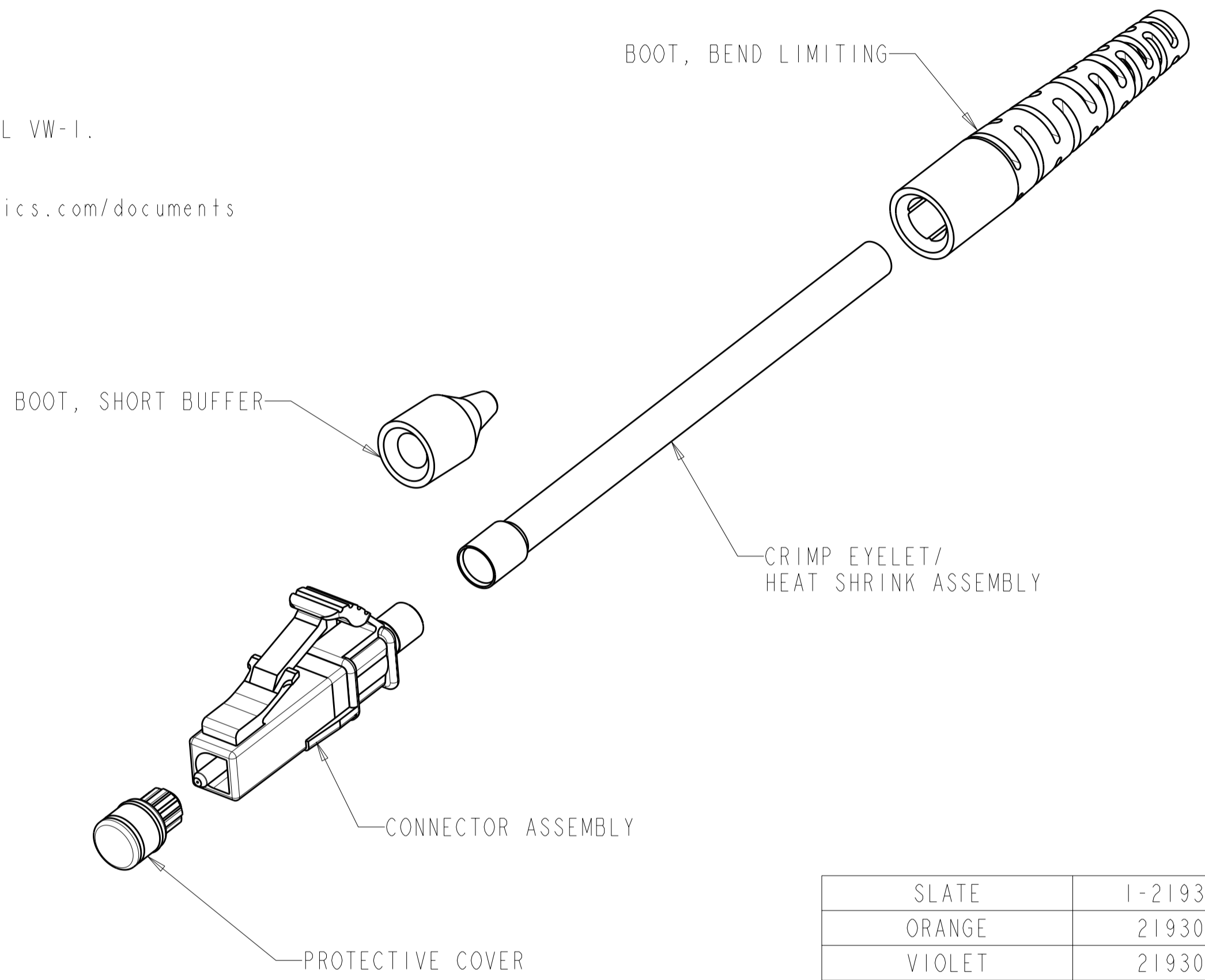


THIS DRAWING IS UNPUBLISHED. RELEASED FOR PUBLICATION 20  
 © COPYRIGHT 20 BY - ALL RIGHTS RESERVED.

LOC	DIST	REVISIONS			
P	LTR	DESCRIPTION	DATE	DWN	APVD
HM	00	A	RELEASE ECO-11-010691	31MAY2011	LH DK

⚠ MATERIAL: PROTECTIVE COVER: TPE, COLOR:BLACK, UL 94 V-0 \*  
 FERRULE SUB ASSEMBLY: ZIRCONIA/METAL.  
 COMPRESSION SPRING: STAINLESS STEEL.  
 HOUSING: PPSU, COLOR:SEE DASH NO'S.  
 INNER TUBING: PTFE, COLOR:CLEAR, UL VW-1.  
 REAR BODY:METAL.  
 BOOT: PP, COLOR:BEIGE, UL 94 V-0. \*  
 CRIMP EYELET/HEAT SHRINK ASSY: ALUM. ALLOY, HEAT SHRINK: POLYOLEFIN, UL VW-1.  
 \*RATED AT QUALIFYING THICKNESS.

2. INSTRUCTION SHEET: 408-8675 AVAILABLE FOR DOWNLOAD AT [www.tycoelectronics.com/documents](http://www.tycoelectronics.com/documents)  
 OR [www.ampnetconnect.com/foguide](http://www.ampnetconnect.com/foguide).



SLATE	1-2193005-0
ORANGE	2193005-9
VIOLET	2193005-8
BROWN	2193005-7
AQUA	2193005-6
ROSE	2193005-5
BLUE	2193005-4
GREEN	2193005-3
YELLOW	2193005-2
RED	2193005-1
COLOR	PART NO

THIS DRAWING IS A CONTROLLED DOCUMENT.

DWN	L. HALL	27MAY2011	TE Connectivity
CHK	D. KIRSCH	31MAY2011	
APVD	D. KIRSCH	31MAY2011	
PRODUCT SPEC			
MATERIAL	KIT, CONNECTOR, LC SECURE SIMPLEX,MM, 250um, 900um BUFFER, 1.6-2.0mm, JACKET		RESTRICTED TO
DIMENSIONS:		mm	SIZE
TOLERANCES UNLESS OTHERWISE SPECIFIED:		0 PLC ±-	CAGE CODE
1 PLC ±0.1		1 PLC ±0.1	DRAWING NO
2 PLC ±0.01		2 PLC ±0.01	A200779
3 PLC ±-		3 PLC ±-	SCALE
4 PLC ±-		4 PLC ±-	3:1
ANGLES ±-		ANGLES ±-	SHEET
FINISH ±-		FINISH ±-	OF
MATERIAL		1	REV
WEIGHT		-	A
CUSTOMER DRAWING			