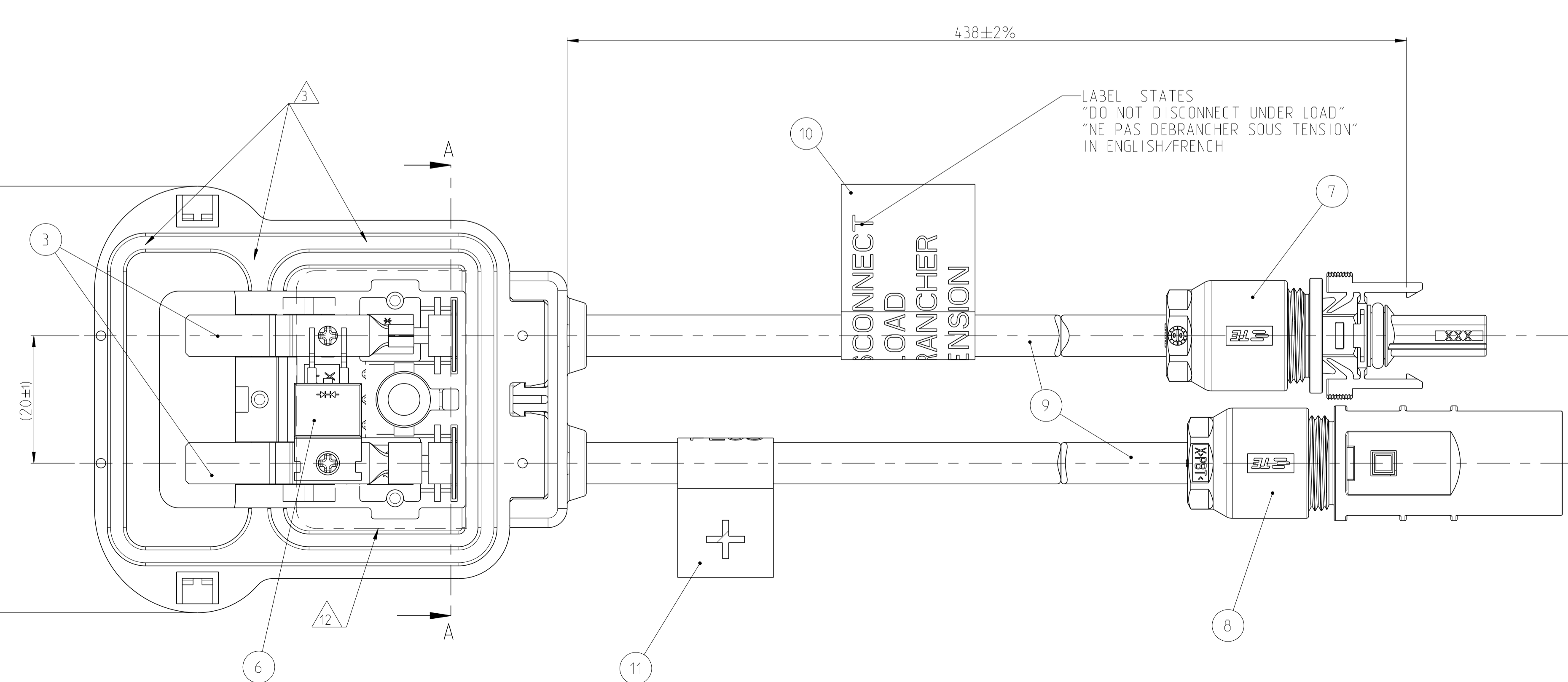
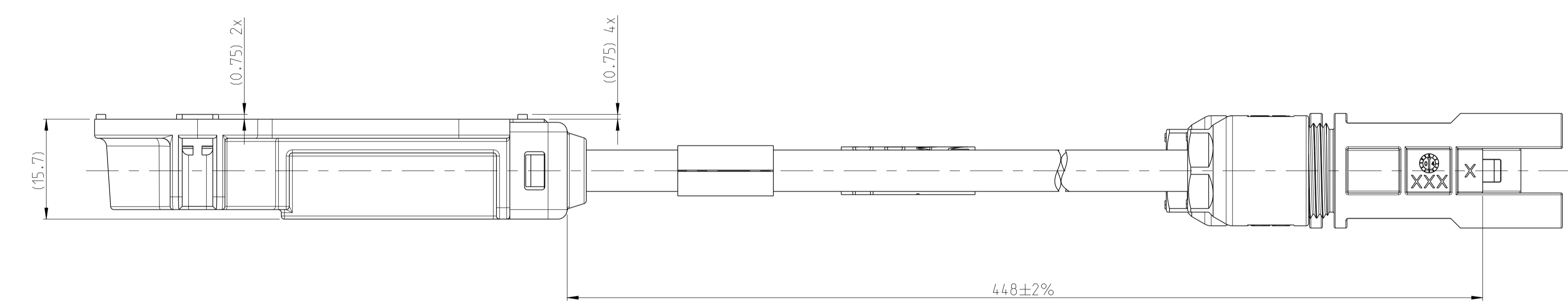
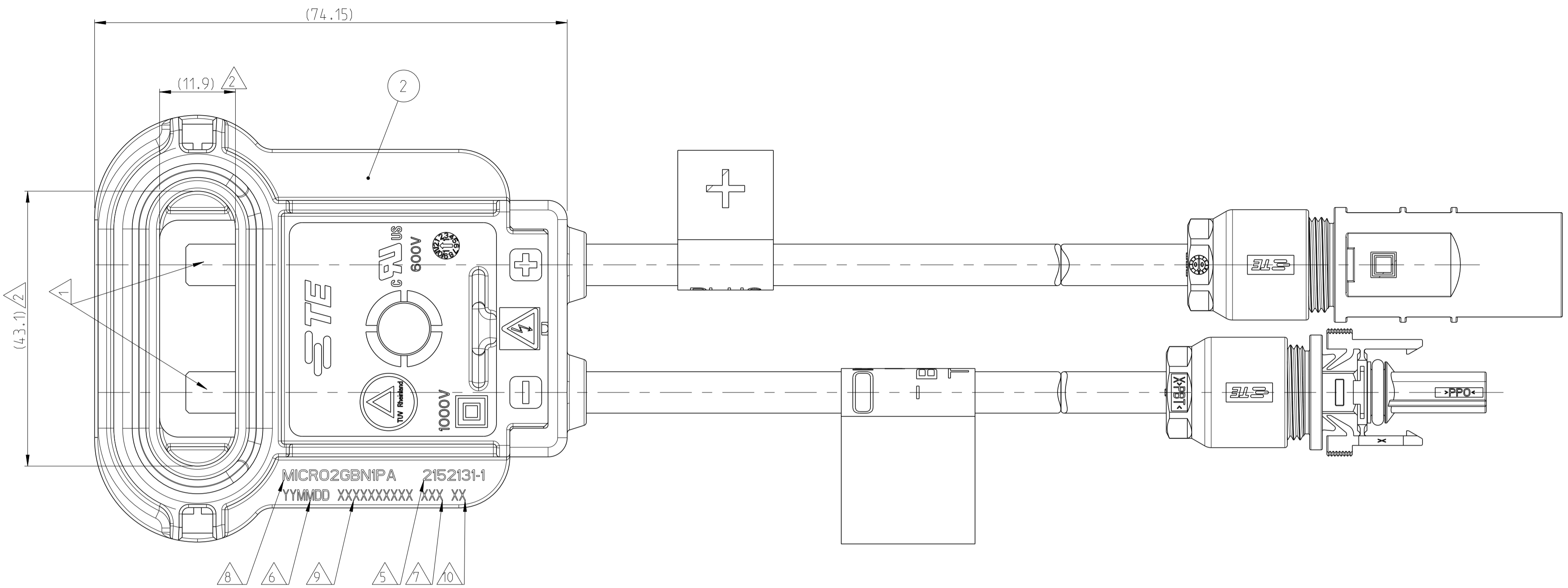
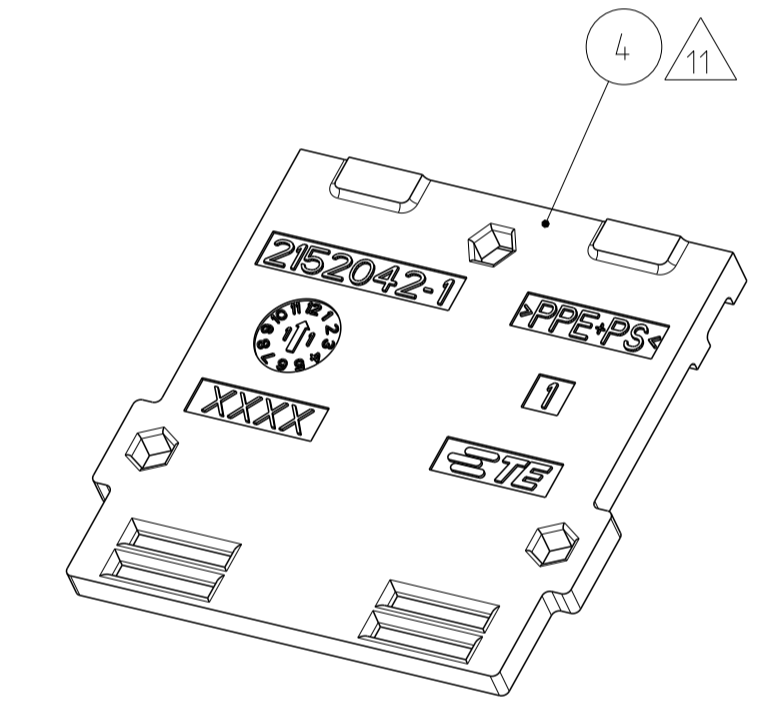


LOC	DIST	REVISIONS					
		P	LTN	DESCRIPTION	DATE	OWN	APVD
A1	-	B1		LASER PRINTER ADDED	10OCT2012	V.P	T.J
		C		BOTTOM COVER REMOVED FROM HOUSING	13FEB2015	KR	TD

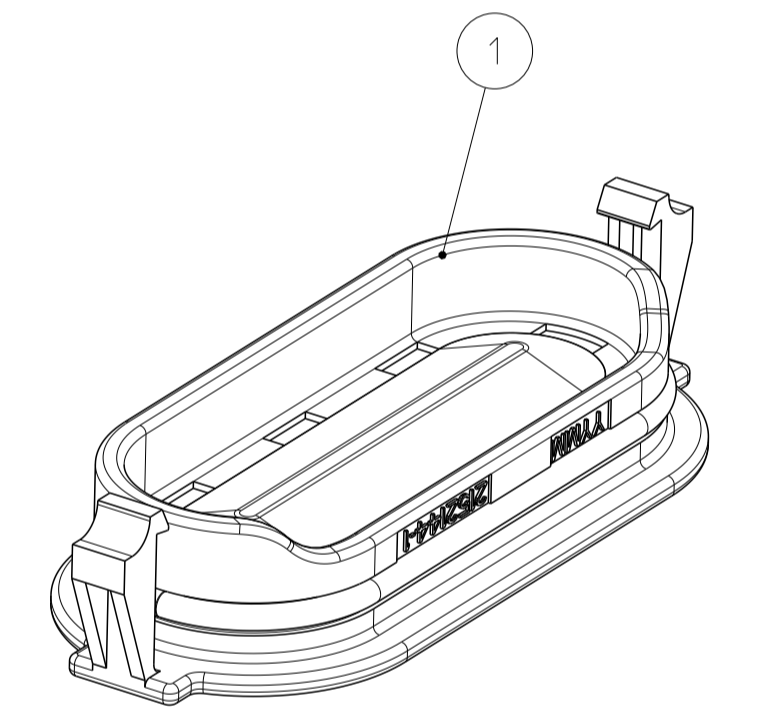


MATERIAL:
 HOUSING: MODIFIED POLYPHENYLENE ETHER, COLOR: BLACK, UL94 5VA, F1 RATED.
 CONTACT COVER: MODIFIED POLYPHENYLENE ETHER, COLOR: BLACK, UL94 5VA, F1 RATED.
 CONNECTOR: POLYPHENYLENE OXIDE, COLOR: BLACK, UL94V-0, F1 RATED.
 TERMINAL: TIN PLATED COPPER ALLOY.
 DIODE VOLTAGE: 150VDC MAX.
 CABLE: 4.0MM² DOUBLE INSULATED PV CABLE (UL & TUV APPROVED).

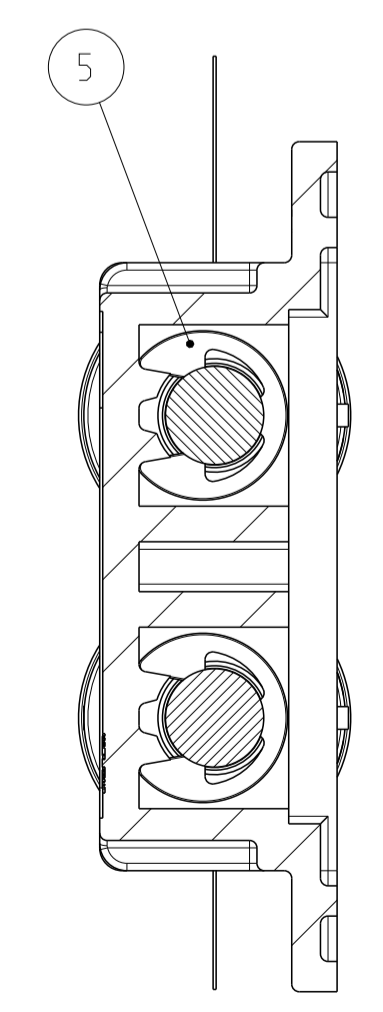
- REQUIREMENTS/RATINGS:**
 ROHS COMPLIANT.
 OPERATION TEMPERATURE: -40° TO +90°C
 VOLTAGE: 1000 VDC TUV:600V UL.
 CURRENT: 8 AMP MAX.
- △ THIS AREA TO BE FILLED WITH SHIN-ETSU KE-210F (OR EQUIVALENT) POTTING COMPOUND BY CUSTOMER, PRIOR TO FIELD INSTALLATION.
 - △ SEALANT GROOVE TO BE FILLED WITH DOW CORNING PV-804 ADHESIVE (OR EQUIVALENT) PRIOR TO PLACEMENT ON MOUNTING SURFACE.
 - △ CONTACT COVER INSTALLED AFTER POTTING CAVITY IS FILLED.
 - △ PART NUMBER.
 - △ PRODUCTION DATE (YYMMDD).
 - △ MANUFACTURING LOCATION CODE.
 - △ MODEL CODE ACCORDING TO TE-SPEC. 404-74000-1.
 - △ CONSECUTIVE SERIAL NUMBER.
 - △ TEST EQUIPMENT NUMBER.
 - △ BOTTOM COVER SHIPPED UNASSEMBLED TO HOUSING.
 - △ THIS AREA TO BE FILLED WITH POTTING COMPOUND BY CUSTOMER PRIOR TO FIELD INSTALLATION. POTTING VOLUME = 5.00 cm³.



BOTTOM COVER



CONTACT COVER
Scale 2:1



Section A-A

PIECES	ITEM-NO.	DESCRIPTION	SURFACE COLOUR	MATERIAL
1	13	PV4 SOCKET CONNECTOR PRE-ASSEMBLED, PLUS CODED	-	-
1	12	PV4 PIN CONNECTOR PRE-ASSEMBLED, MINUS CODED	-	-
1	11	LABEL "PLUS", PN 1718078-1	WHITE	POLYESTER
1	10	LABEL (DO NOT DISCONNECT UNDER LOAD), PN 1718077-4	WHITE	POLYESTER
AR	AR	SOLAR CABLE DUAL RATED (TUV/UL) 4mm ² /12 AWG, PN 1983530-2	BLACK	-
-	1	CONNECTOR (PIN), NEUTRAL CODED, PN 6-1394461-2	BLACK	PPE+PS
-	1	CONNECTOR (SOCKET), MINUS CODED, PN 1394462-4	BLACK	PPE+PS
1	6	BYPASS DIODE, SMD	-	-
2	5	E-RING	PLAIN	STAINLESS STEEL
1	4	COVER BOTTOM	BLACK	PPE+PS
2	3	CONTACT	TIN PLATED	CuSn
1	2	HOUSING MAIN NG, WITH STANDOFFS	BLACK	PPE+PS
1	1	CONTACT COVER	BLACK	PPE+PS

THIS DRAWING IS A CONTROLLED DOCUMENT. OWN: K. SALZMANN 13OCT2011
 CHK: A.W. OBER 13OCT2011
 APVD: A.W. OBER 13OCT2011

DIMENSIONS: mm
 TOLERANCES UNLESS OTHERWISE SPECIFIED:
 0 PLC # # #
 1 PLC # # #
 2 PLC # # #
 3 PLC # # #
 4 PLC # # #
 ANGLES # # #
 MATERIAL - FINISH -

NAME: ASSEMBLY HOUSING MICRO SOLARLOK NEXT GEN.
 SIZE: 00779 C=2152131
 SCALE: 2:1 SHEET 1 OF 2 REV C

Customer Drawing

Mouser Electronics

Authorized Distributor

Click to View Pricing, Inventory, Delivery & Lifecycle Information:

[TE Connectivity:](#)

[2152131-1](#)