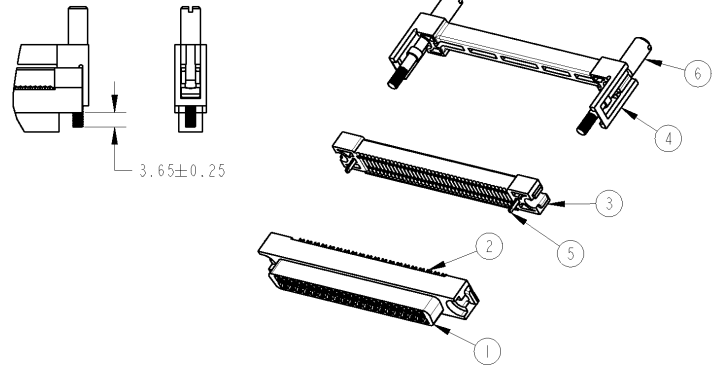
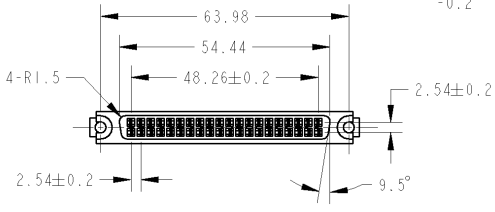
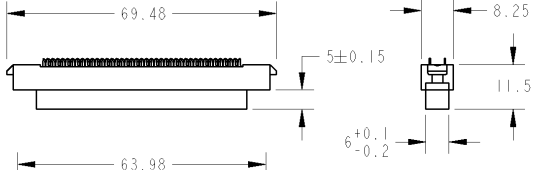
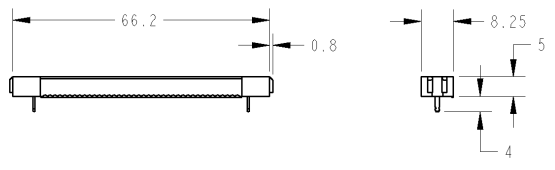
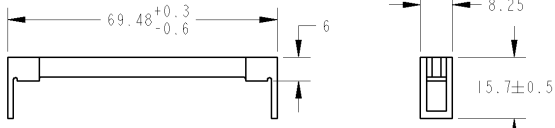
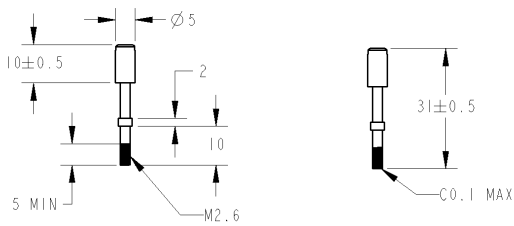


THIS DRAWING IS UNPUBLISHED. RELEASED FOR PUBLICATION 2006
 © COPYRIGHT 2006 BY TYCO ELECTRONICS CORPORATION. ALL RIGHTS RESERVED.

LOC	DIST	REVISIONS					
		P	LTR	DESCRIPTION	DATE	DWN	APVD
J	-	A		RELEASED	04JUN2007	S.K	J.A
		B		REVISED ECR-07-024586	22OCT2007	S.K	A.O



材料 / MATERIAL	名称 / NAME	アイテム番号 / ITEM NO.
黄銅 Niめっき / BRASS Ni PLT.	スクリュー / SCREW	6
ステンレス鋼 / STAINLESS STEEL	ピン / PIN	5
PC樹脂 / PC RESIN	ストレーン リリーフ / STRAIN RELIEF	4
PBT樹脂 / PBT RESIN	カバー / COVER	3
リン青銅 Niめっき金銀 接線部入のめっき、ターミナル部5μmのめっき PHOS-BRO NI PLT. ALL OVER CONTACT AREA Au. TERMINAL AREA Sn.	リセ コンタクト / REC CONTACT	2
PBT樹脂 / PBT RESIN	リセ ハウジング / REC HOUSING	1

THIS DRAWING IS A CONTROLLED DOCUMENT AND ITS ALTERATION OR DESTRUCTION IT IS SUBJECT TO CHANGE AND THE CONTROLLING ENGINEERING DEPARTMENT SHOULD BE CONTACTED FOR THE LATEST REVISION.		DWN 04JUN2007 S. KUBOTA CHK 04JUN2007 J. AKASAKA APVD 04JUN2007 I. AKASAKA		Tyco Electronics Tyco Electronics AMP K.K. Kawasaki, Japan	
DIMENSIONS: 単位: 英 mm		TOLERANCES UNLESS OTHERWISE SPECIFIED: 一般部 ±0.3 0-PLC ±0.1 1-PLC ±0.1 2-PLC ±0.01 3-PLC ±0.001 4-PLC ±0.0001 ANGLES 45°		PRODUCT SPEC 製品規格 108-5542 APPLICATION SPEC 応用規格	
MATERIAL 材料 仕様 仕様 SEE TABLE		WEIGHT 重量 19 g		SIZE 寸法 A3 CAGE CODE 00779 DRAWING NO. C-1903404	
CUSTOMER DRAWING		SCALE 縮尺 1:1		SHEET 枚数 1 OF 1 REV 0	

AMP 1470-19 REV 31MAR2000
 P10/ENGINEER DRAWING