

TABLE 1

MOLEX P/N	ENG. NO.	CABLE LENGTH (mm)	LED
1202480028	BTB4050-FBW-05	5000	NO
1202480029	BTB4050-FBW-10	10000	NO
1202480030	BTB4050-FBW-15	15000	NO
1202480031	BTB405P-FBW-05	5000	YES
1202480032	BTB405P-FBW-10	10000	YES
1202480033	BTB405P-FBW-15	15000	YES
1202480034	BTB405N-FBW-05	5000	YES
1202480035	BTB405N-FBW-10	10000	YES
1202480036	BTB405N-FBW-15	15000	YES

TABLE 2 BILL OF MATERIAL

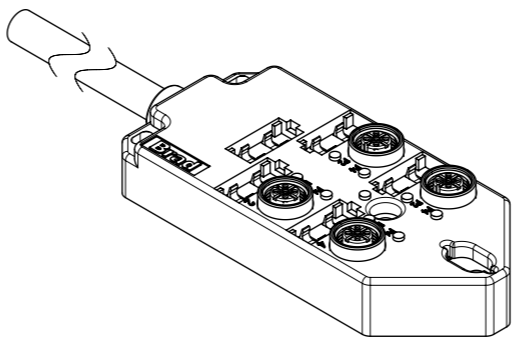
ITEM	DESCRIPTION	MATERIAL	FINISH
1	LABEL	ABS	WHITE
2	CABLE PLATE	PBT	BLACK
3	CABLE	TPU BASED	BLACK
4	CONTACT	BRONZE	GOLD OVER NICKEL
5	O-RING	FPM	RED
6	LED	NO LED = PA	BLACK
		WITH LED = PA	TRANSPARENT
7	SHELL	BRASS	NICKEL PLATED
8	HOUSING	PBT	BLACK



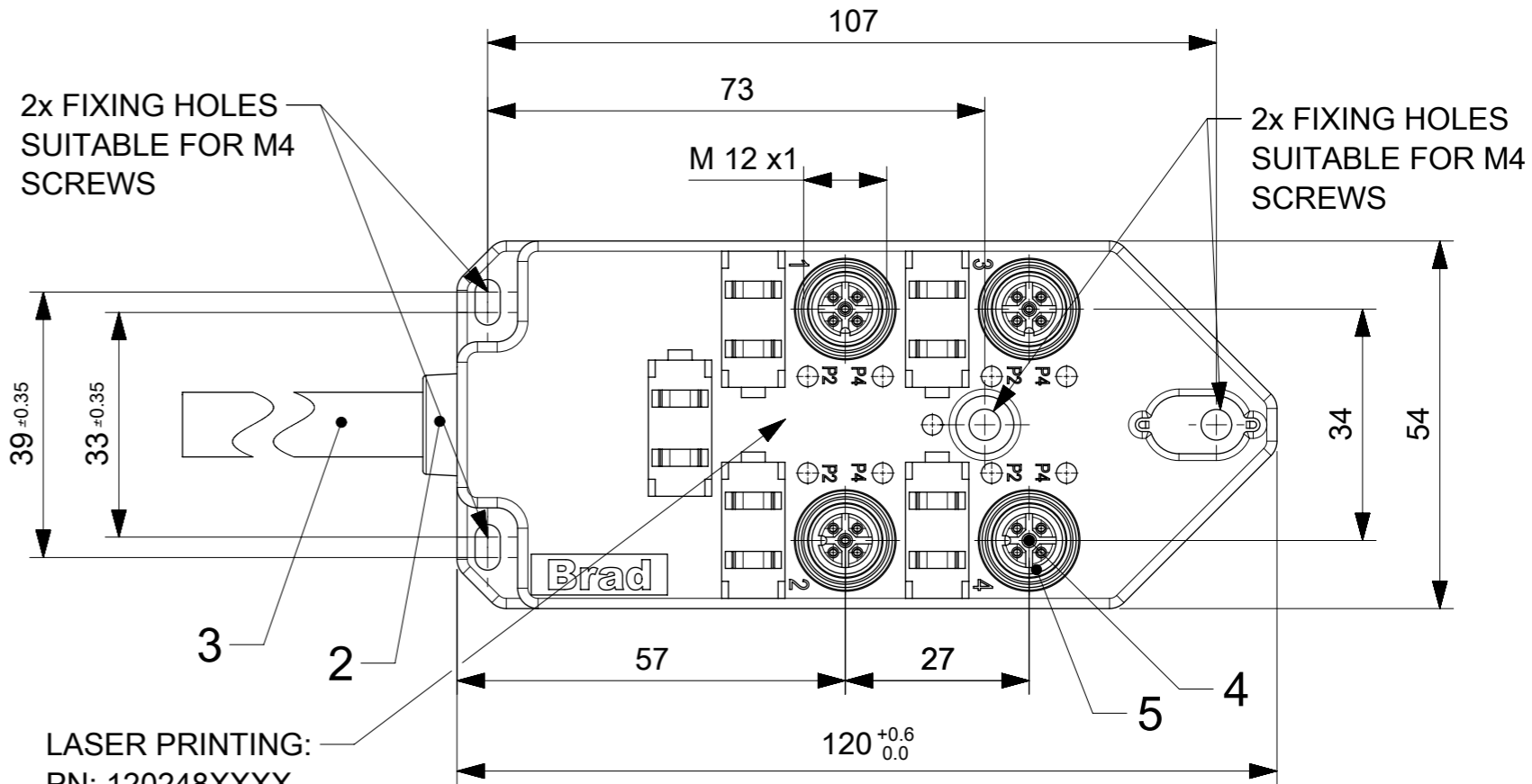
GENERAL CHARACTERISTICS:

ELECTRICAL AND MECHANICAL DATA ACC. TO IEC 61076-2-101

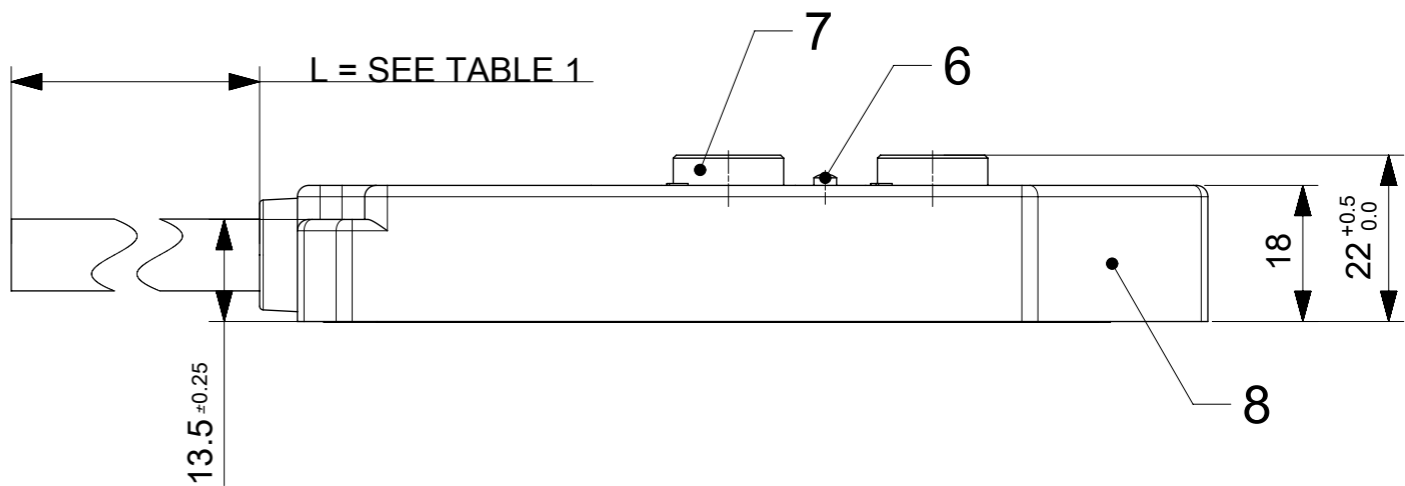
NOMINAL VOLTAGE: 10-30 V DC
 AMPERE RATING: 4 A PER PORT / 12 A MAX
 AMPERE RATING WITH UL REGISTRATION: 3 A PER PORT / 9 A MAX
 IP DEGREE OF PROTECTION: IP 67
 TEMPERATURE RANGE: -25°C to + 85°C



SCALE 1:2

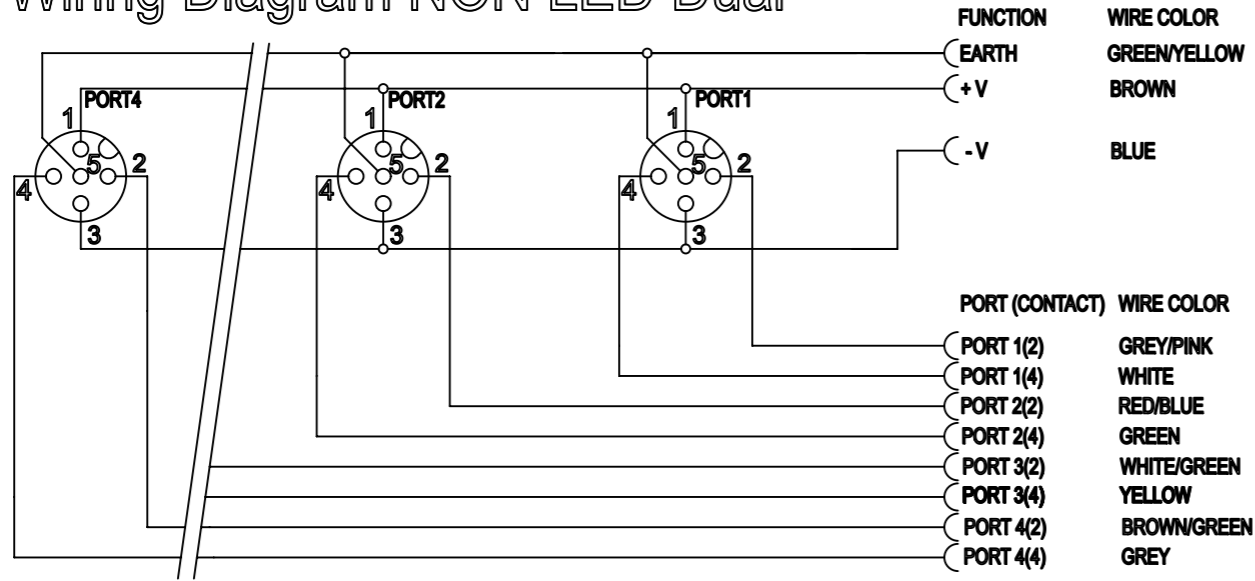


LASER PRINTING:
 PN: 120248XXXX
 ENG.: BTB405X-FBW-XX
 PO: XXXXXXXXXX

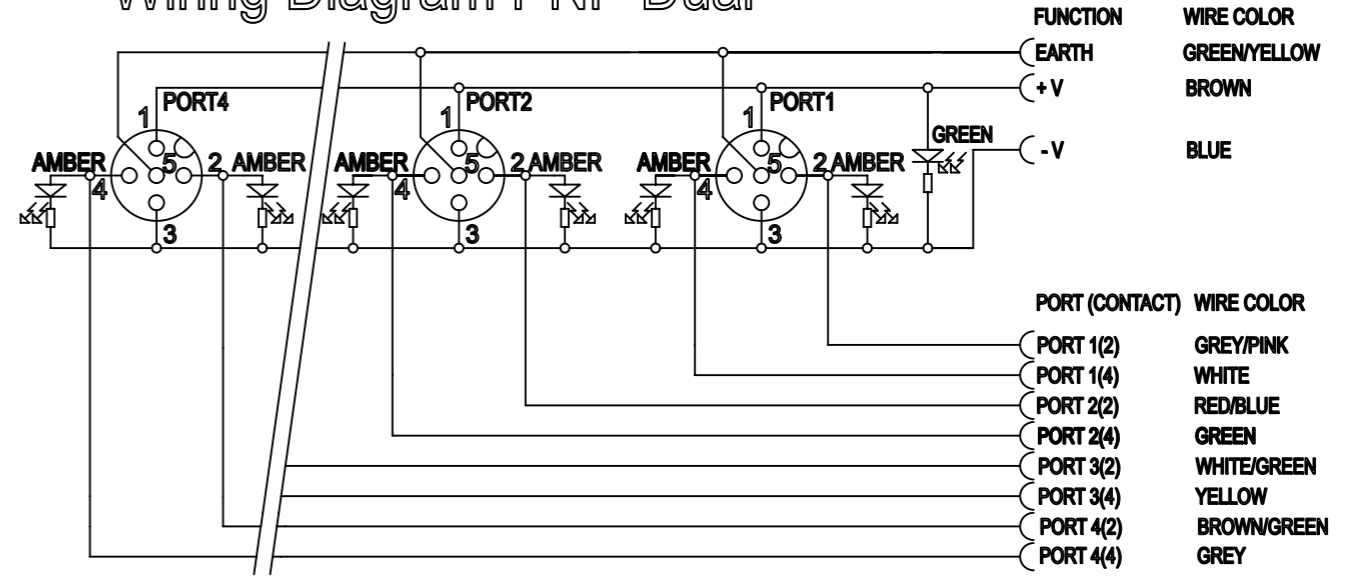


SYMBOLS	THIS DRAWING CONTAINS INFORMATION THAT IS PROPRIETARY TO MOLEX ELECTRONIC TECHNOLOGIES, LLC AND SHOULD NOT BE USED WITHOUT WRITTEN PERMISSION	
DIMENSION UNITS	SCALE	CURRENT REV DESC: LASER PRINTING ADDED
▽ = 0	mm	molex MPIS M12 PNP NOS 5P 4PT AC FE STR XM STA DUAL
▽ = 0	GENERAL TOLERANCES (UNLESS SPECIFIED)	
▽ = 0	ANGULAR TOL ± °	EC NO: 172073 DRWN: BBRAUCH 2018/01/31 CHK'D: ULETTENMEIER 2018/02/08 APPR: RSILLER 2018/02/09
▽ = 0	4 PLACES ±	INITIAL REVISION:
▽ = 0	3 PLACES ±	DRWN: AAHLERS 2015/04/01
▽ = 0	2 PLACES ±	APPR: JALEXANDER 2015/05/20
▽ = 0	1 PLACE ±	DOCUMENT NUMBER
▽ = 0	0 PLACES ± 0.25	1202480028
□ = 0	DRAFT WHERE APPLICABLE MUST REMAIN WITHIN DIMENSIONS	DOC TYPE DOC PART REVISION
▽ = 0	THIRD ANGLE PROJECTION	PSD 000 A2
	DRAWING SERIES MATERIAL NUMBER CUSTOMER SHEET NUMBER	SEE TABLE 1 GENERAL MARKET 1 OF 2
	A3-SIZE 120248	

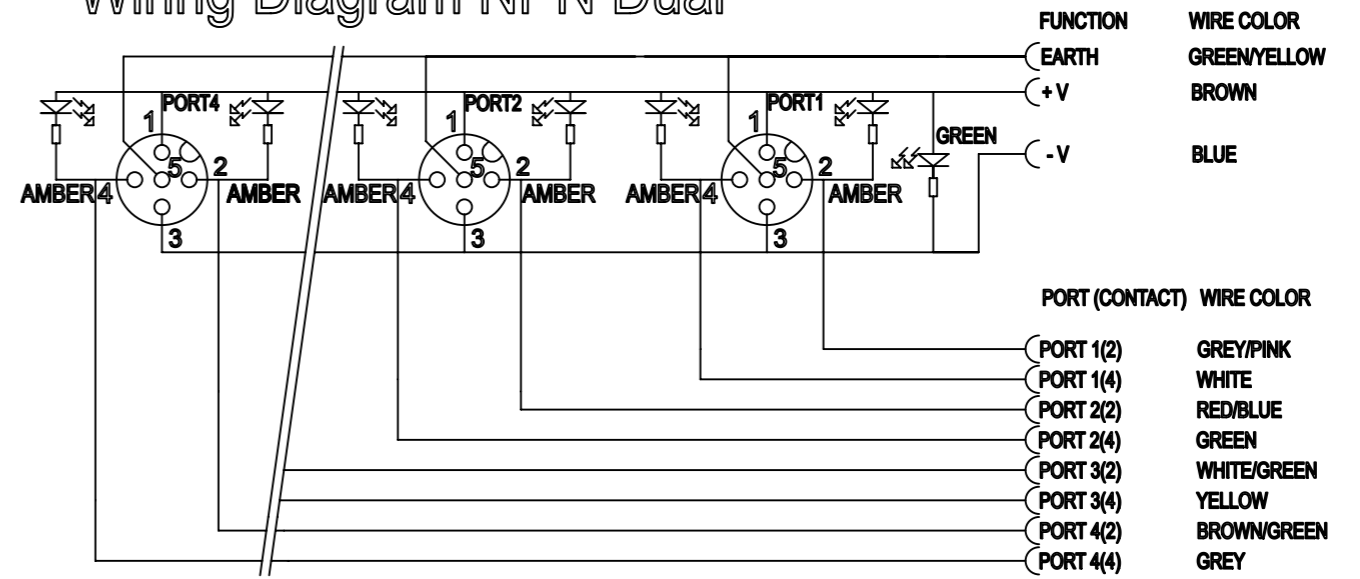
Wiring Diagram NON LED Dual



Wiring Diagram PNP Dual



Wiring Diagram NPN Dual



SYMBOLS DIMENSION UNITS SCALE ▽ = 0 mm ▽ = 0 GENERAL TOLERANCES (UNLESS SPECIFIED) ▽ = 0 ANGULAR TOL ± ° ▽ = 0 4 PLACES ± ▽ = 0 3 PLACES ± ▽ = 0 2 PLACES ± ▽ = 0 1 PLACE ± ▽ = 0 0 PLACES ± 0.25 ■ = 0 DRAFT WHERE APPLICABLE MUST REMAIN WITHIN DIMENSIONS ▽ = 0	THIS DRAWING CONTAINS INFORMATION THAT IS PROPRIETARY TO MOLEX ELECTRONIC TECHNOLOGIES, LLC AND SHOULD NOT BE USED WITHOUT WRITTEN PERMISSION		CURRENT REV DESC: LASER PRINTING ADDED				
	EC NO: 172073 DRWN: BBRAUCH 2018/01/31 CHK'D: ULETTENMEIER 2018/02/08 APPR: RSILLER 2018/02/09		PRODUCT CUSTOMER DRAWING				
	INITIAL REVISION: DRWN: AAHLERS 2015/04/01 APPR: JALEXANDER 2015/05/20		DOCUMENT NUMBER 1202480028	DOC TYPE PSD		DOC PART 000	REVISION A2
	THIRD ANGLE PROJECTION 	DRAWING A3-SIZE	SERIES 120248	MATERIAL NUMBER SEE TABLE 1		CUSTOMER GENERAL MARKET	SHEET NUMBER 2 OF 2